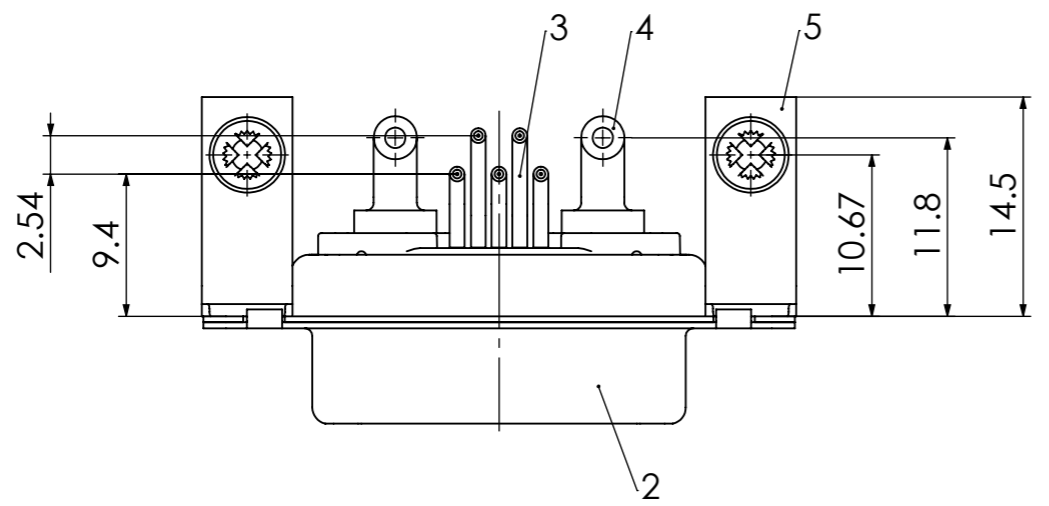
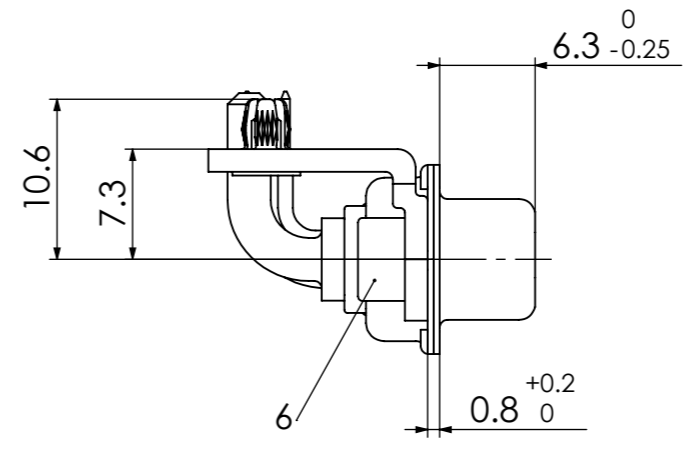
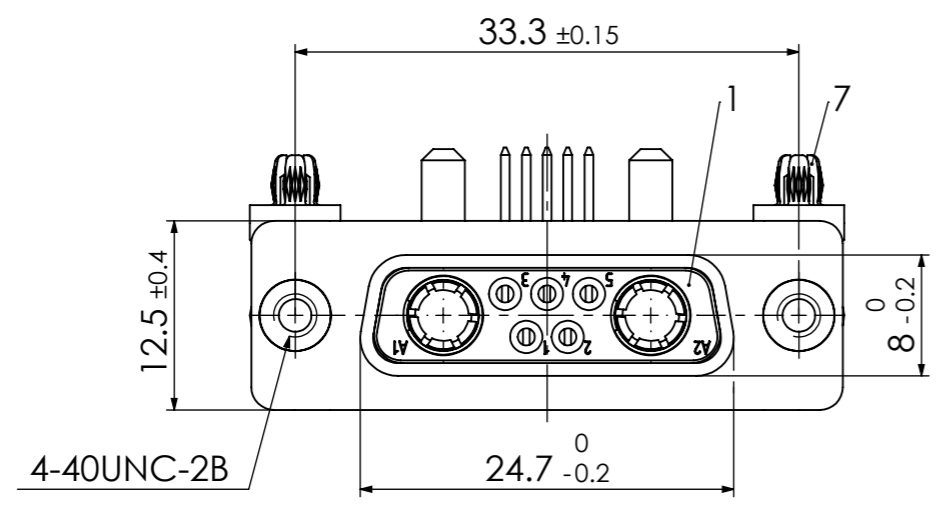
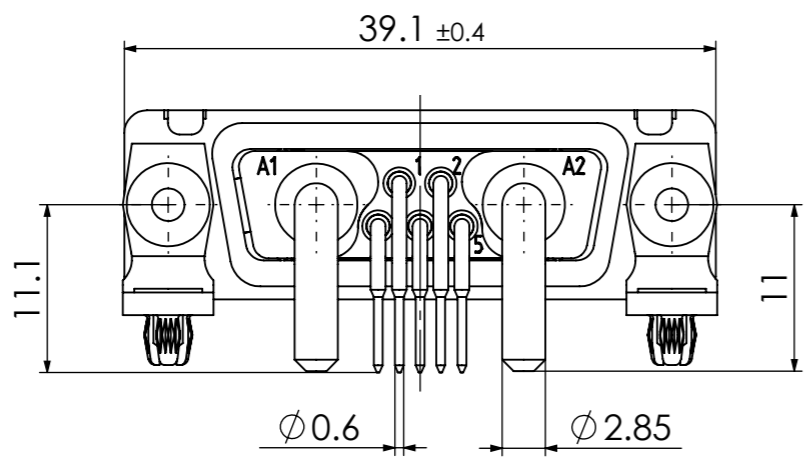
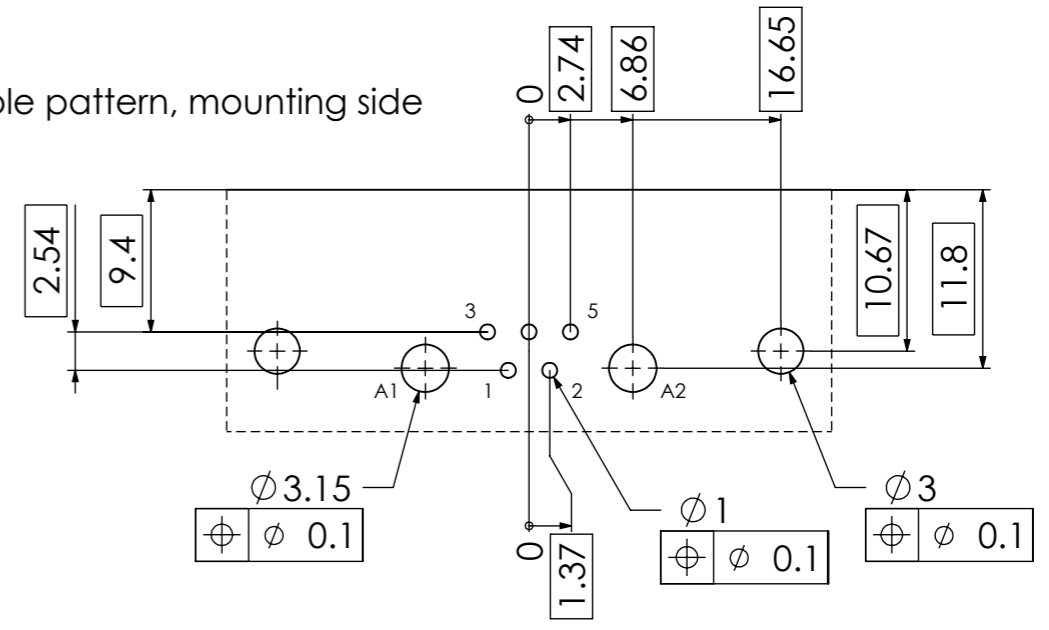


RoHS compliant
by exemption



PCB hole pattern, mounting side



No.	St.	Part	Type Description/Material	Surface plating/Colour/Class
7	2	Snap-in rivet	PCB 1.6mm / Brass	tin plated
6	2	Clinch nut	MW 4-40 / Steel	tin plated
5	2	Bracket	F1080-13B / Steel	tin plated
4	2	High power contact	FMP008S104R	20A
3	5	Signal contact	S5 / Brass	0.8µm Au
2	1	Shell	Steel	tin plated
1	1	Insulator	PBT (-55°C to +130°C) acc. UL94V-0	green

COMMENT: ALL RIGHTS ARE RESERVED BY US FOR THIS DRAWING. WITHOUT OUR PRIOR CONSENT, IT MAY NEITHER BE DUPLICATED NOR MADE AVAILABLE TO A THIRD PARTY. AND IT ALSO MAY NOT BE IMPROPERLY USED BY THE RECEIVER, OR A THIRD PARTY.

FUNCTIONAL SYMBOLS		THIS DRAWING CONTAINS INFORMATION THAT IS PROPRIETARY TO MOLEX ELECTRONIC TECHNOLOGIES, LLC AND SHOULD NOT BE USED WITHOUT WRITTEN PERMISSION		molex	
▽ = 0	DIMENSION UNITS	SCALE	MEASUREMENTS WITHOUT TOLERANCE ACC. TO		
▽ = 0	mm	2:1	ISO 2768-m	PRODUCT CUSTOMER DRAWING	
▽ = 0	CURRENT REVISION		MATERIAL NUMBER		REVISION
	3	24410	DRWN: DRAWN BY msteinbrueck 08-08-2023	1731070509	3
	2	24193	APPR: APPR BY fvetter 17-08-2023		
	1		INITIAL REVISION	DOCUMENT NUMBER	
	1		DRWN: DRAWN BY mpostulka 22-04-2009	FM7W2S5-1343	
	REV.	CH.-NO.	APPR: APPR BY Markus.Jobst 22-04-2009	CUSTOMER	
			REPLACEMENT FOR: 1731070509_Rev. A1	GENERAL MARKET	
			FRIST ANGLE PROJECTION	SHEET NUMBER	
			DRAWING A3-SIZE	1 OF 1	