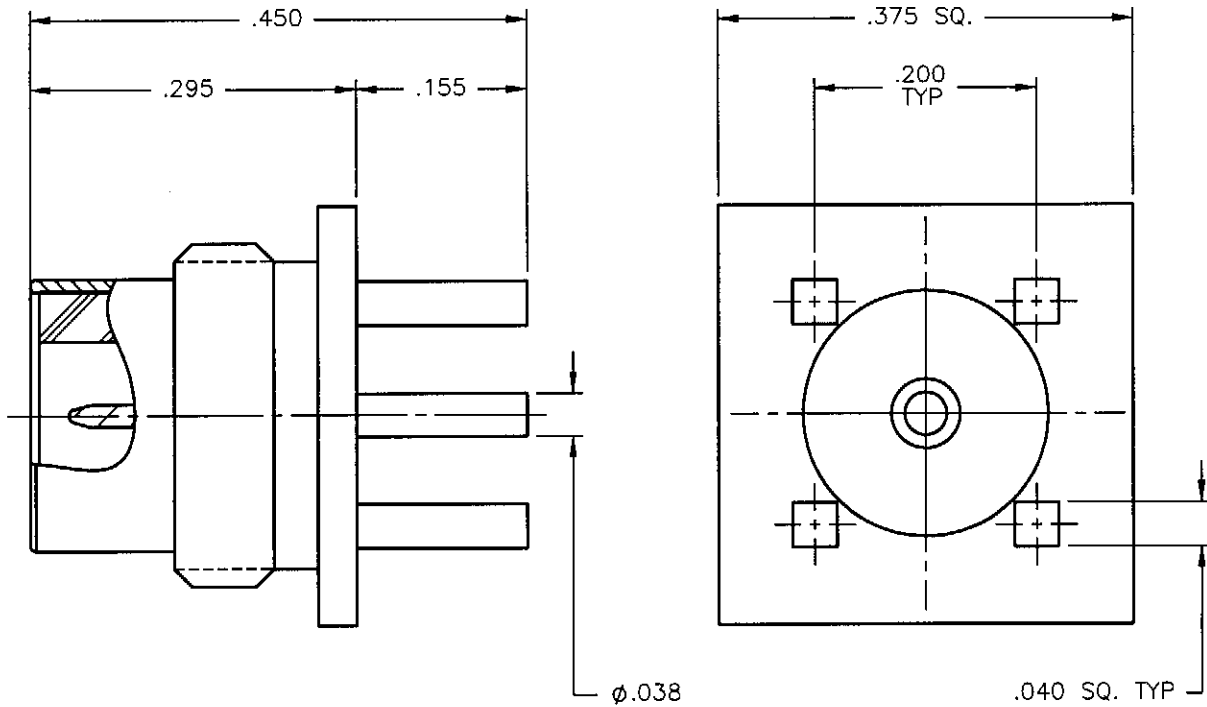


REVISIONS			
REV.	DESCRIPTION	DATE	APPROVED
A	ECO #7258	08/21/08	M.J.



NOTES:


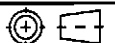
MATERIALS:

1. BODY & CONTACT = BRASS PER ASTM B16, ALLOY C36000, TEMPER H02.
2. INSULATOR = VIRGIN WHITE TEFLON PER ASTM D1710, GRADE 1, TYPE I, CLASS "B".

FINISHES:

1. BODY = NICKEL PLATE PER QQ-N-290, CLASS 1, GRADE G, EXCEPT .0001 TO .0002 THICK OVER .00005 TO .0001 THICK COPPER PER MIL-C-14550.
2. CONTACT = GOLD PLATE PER MIL-G-45204, TYPE II, CLASS 1, GRADE C, OVER .00010 TO .00020 STRESS FREE SULFAMATE NICKEL PER QQ-N-290.

Property of Radiall Incorporated  
 This document cannot be reproduced or  
 communicated to a third party without prior  
 written permission of RADIALL Incorporated.

UNLESS OTHERWISE SPECIFIED DIMENSIONS ARE IN INCHES TOLERANCES ON	DWN:	DATE	 <b>APPLIED ENGINEERING PRODUCTS</b> 104 John W. Murphy Dr. New Haven, CT 06513 <i>a RADIALL company</i>				
	M.J.	08/21/08					
DECIMAL	ANGLE	CHKD:	DATE	<b>75 ohm STRAIGHT SCREW-ON          MALE JACK P.C. BOARD          RECEPTACLE</b>			
		D.N.	08/21/08				
		APVD:	DATE	SIZE	FSCM NO.	DWG. NO.	REV
		J.M.	08/21/08	A	19505	1709-7511-000	A
REFERENCE:	MATERIALS & FINISHES:		SCALE	THIRD ANGLE PROJECTION		SHEET 1 OF 1	
ORIGINATED: M.J. DATE: 08/21/08	SEE NOTES		4:1				

1709-7511-000