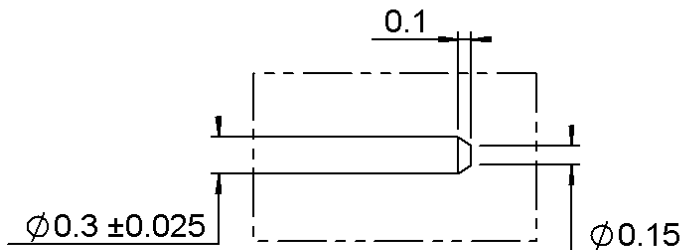
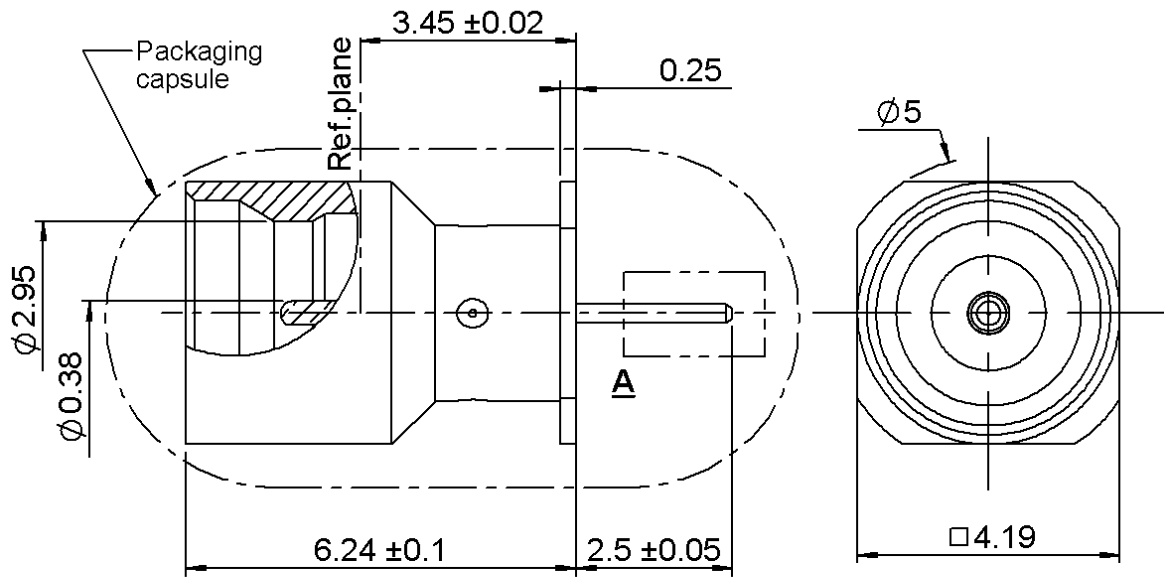
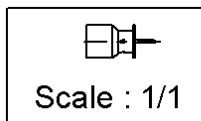


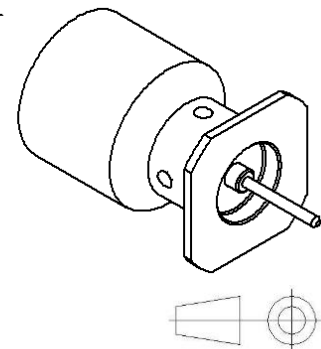
PAGE 1/4	ISSUE 19-04-17D	SERIES SMP	PART NUMBER R222409030
----------	-----------------	------------	------------------------



**DÉTAIL A**  
**ECHELLE 16 : 1**



All dimensions are in mm.



COMPONENTS	MATERIALS	PLATING (µm)
Body	<b>STAINLESS STEEL</b>	<b>GOLD OVER NICKEL</b>
Center contact	<b>BERYLLIUM COPPER</b>	<b>GOLD OVER NICKEL</b>
Outer contact		
Insulator	<b>PTFE</b>	
Gasket		
Others parts		
-	-	-
-	-	-

PAGE 2/4	ISSUE <b>19-04-17D</b>	SERIES <b>SMP</b>	<b>PART NUMBER R222409030</b>
----------	------------------------	-------------------	-------------------------------

**PACKAGING**

Standard	Unit	Other
<b>100</b>	<b>Contact us</b>	<b>Contact us</b>

**ELECTRICAL CHARACTERISTICS**

Impedance		<b>50</b>	Ω	
Frequency		<b>0-40*</b>	GHz	
VSWR***	<b>1.03**</b> +	<b>0,0100</b>	x F(GHz) Maxi	
Insertion loss		<b>0.12*</b>	√F(GHz) dB Maxi	
RF leakage	- (	<b>NA</b>	- F(GHz) dB Maxi	
Voltage rating		<b>335</b>	Veff Maxi	
Dielectric withstanding voltage		<b>500</b>	Veff mini	
Insulation resistance		<b>5000</b>	MΩ mini	

**MECHANICAL CHARACTERISTICS**

Center contact retention				
Axial force – Mating End		<b>6.8</b>	N mini	
Axial force – Opposite end		<b>NA</b>	N mini	
Torque		<b>NA</b>	N.cm mini	
Recommended torque				
Mating		<b>NA</b>	N.cm	
Panel nut		<b>NA</b>	N.cm	
Mating life		<b>100</b>	Cycles mini	
Weight		<b>0,3000</b>	g	

**ENVIRONMENTAL**

Operating temperature	<b>-65/+165</b>	°C
Hermetic seal	<b>NA</b>	Atm.cm3/s
Panel leakage	<b>NA</b>	

**SPECIFICATION**

**OTHER CHARACTERISTICS**

Assembly instruction:

Others:

**CONFORME MIL-STD348A NOTICE3 FIG326-3**

**\*Coaxial transmission line only**

**\*\*DC-18GHz (Coaxial transmission line only)**

**\*\*\*Performance strongly depends on layout and PCB material**

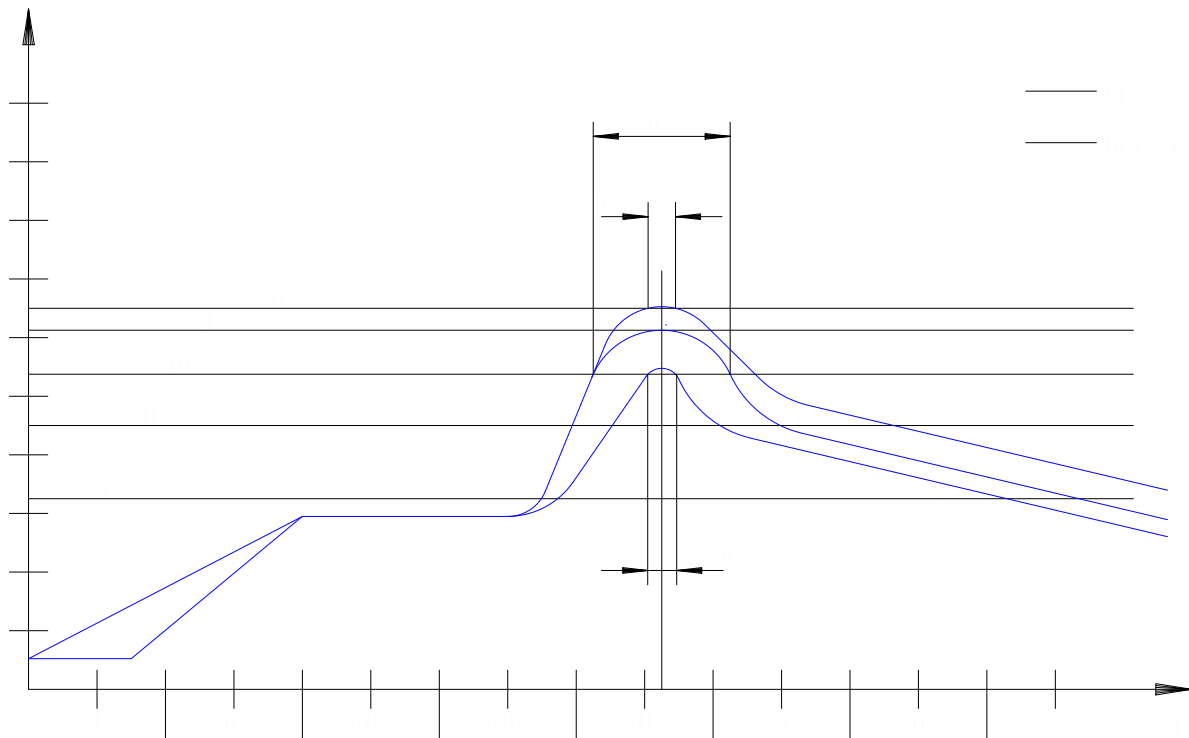
PAGE 3/4	ISSUE 19-04-17D	SERIES SMP	<b>PART NUMBER R222409030</b>
----------	-----------------	------------	-------------------------------

Deposit solder paste 'Sn Ag4 Cu0.5' on mounting zone by screen printing application. We recommend a low residue flux.

We advise a thickness of 150  $\mu\text{m}$  .  
Verify that the edges of the zone are clean.

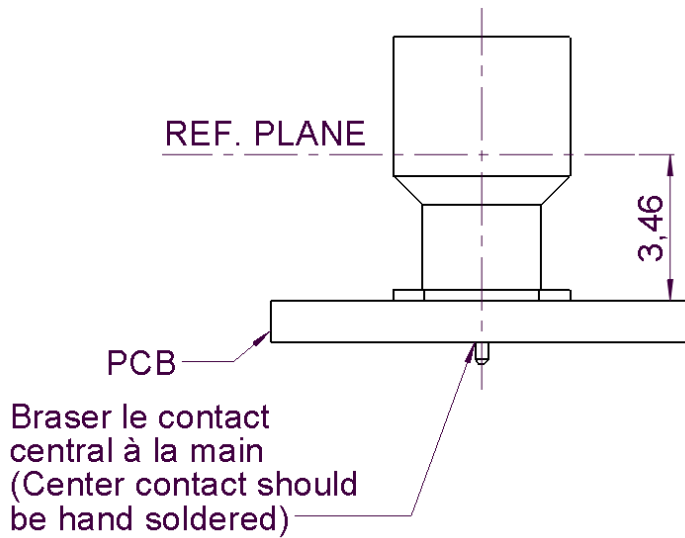
1. Placement of the receptacle on the mounting zone with an automatic machine of 'pick and place' type.  
Video camera is preferred to check the positioning of the component. Adhesive agents are forbidden on the receptacle.
2. Soldering by infra-red reflow.
3. Cleaning of printed circuit boards.
4. Checking of solder joints and position of the component by visual inspection.

### TEMPERATURE PROFIL

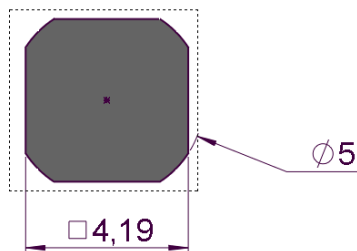





PAGE 4/4	ISSUE 19-04-17D	SERIES SMP	PART NUMBER R222409030
----------	-----------------	------------	------------------------

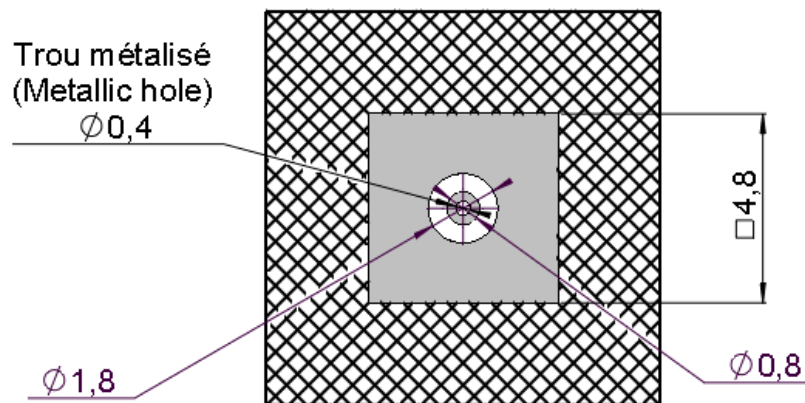
**INFORMATION**



Shadow for video camera



-  Masse + vernis (Ground + varnish)
-  Zone de soudure (Solder area)
-  FR4 + vernis (FR4 + varnish)



Ouverture de l'écran de sérigraphie pour le contact central: Ø1.2 mm  
 (Aperture of the screen printing for center contact : Ø1.2 mm)