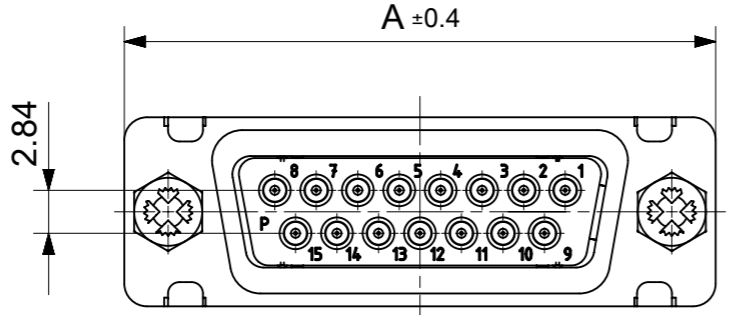
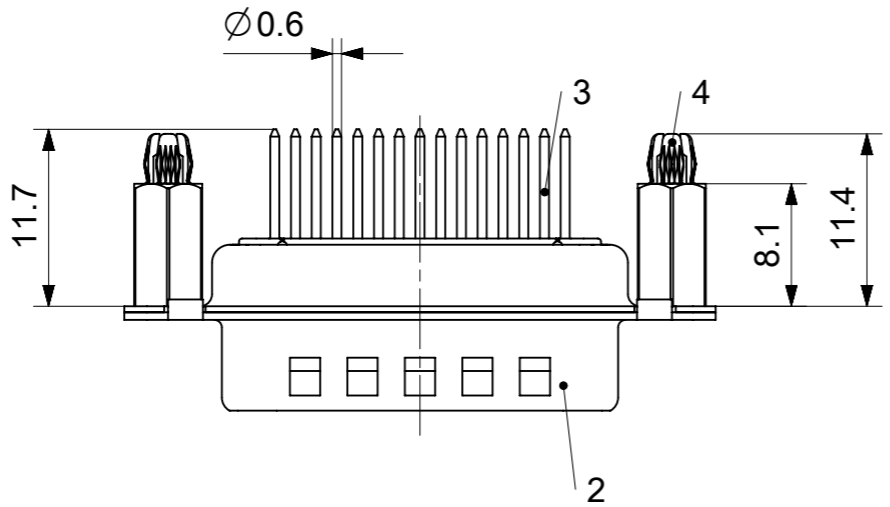
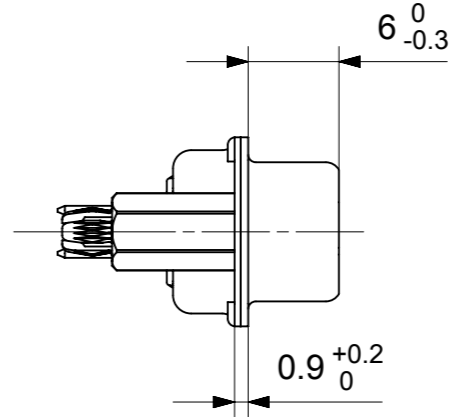
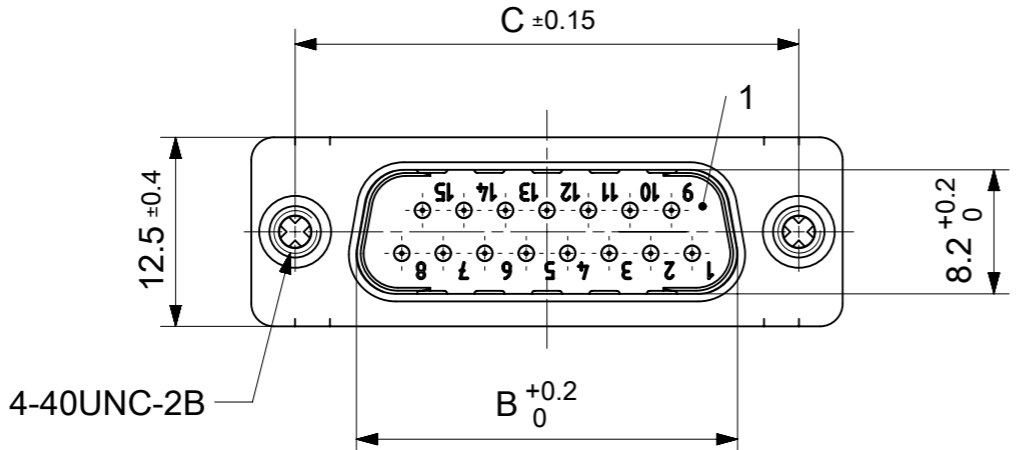


RoHS compliant
by exemption



FCT Part number:
FHxx*1)P22G2-0903
 e.g. FH15P22G2-0903
 *1) xx No. of contacts 09, 15, 25 or 37
 *2) y for performance classes 1, 2 or 3
 (contact cycle for G1/G2/G3 = 500/200/50)

Material Number	xx*1)	y*2)	A[mm]	B[mm]	C[mm]	*E[mm]	*F[mm]
1731092231	09	G2	30.8	16.4	25	Ø1	Ø3
1731092468	15	G2	39.1	24.7	33.3		
1731092469	25	G2	53	38.5	47.04		
1731092470	37	G2	69.3	54.9	63.5		

*PCB hole patterns ØE, ØF see document 2195600023

No.	Pc.	Part	Type Description/Material	Surface plating/Color/Class
4	2	Snap-in bolt	PCB 1.6mm / Brass	tin plated
3	xx	Signal contact	P22 / Brass	G2
2	1	Shell	Steel	tin plated
1	1	Insulator	PCT (-55°C to +150°C)	natural

MEASUREMENTS WITHOUT TOLERANCE ACC TO ISO 2768-m

REPLACEMENT FOR DOCUMENT NUMBER: FHxxP22G2-0903

FUNCTIONAL SYMBOLS: THIS DRAWING CONTAINS INFORMATION THAT IS PROPRIETARY TO MOLEX ELECTRONIC TECHNOLOGIES, LLC AND SHOULD NOT BE USED WITHOUT WRITTEN PERMISSION

SCALE: 2:1

GENERAL TOLERANCES (UNLESS SPECIFIED):

ANGULAR TOL ± °

4 PLACES ±

3 PLACES ±

2 PLACES ±

1 PLACE ±

0 PLACES ±

DIVISIONAL SYMBOLS:

DRAFT WHERE APPLICABLE MUST REMAIN WITHIN DIMENSIONS

FIRST ANGLE PROJECTION

DRAWING: A3-SIZE

SERIES: 173109

MATERIAL NUMBER: SEE TABLE

CUSTOMER: GENERAL MARKET

SHEET NUMBER: 1 OF 1

EC NO: 712793

DRWN: SKANDB 2021/12/10

CHK'D: MTEUBEL 2022/07/04

APPR: MTEUBEL 2022/07/04

INITIAL REVISION:

DRWN: SKANDB 2021/12/10

APPR: MTEUBEL 2022/07/04

DOCUMENT NUMBER: 1731092231

DOC TYPE: PSD

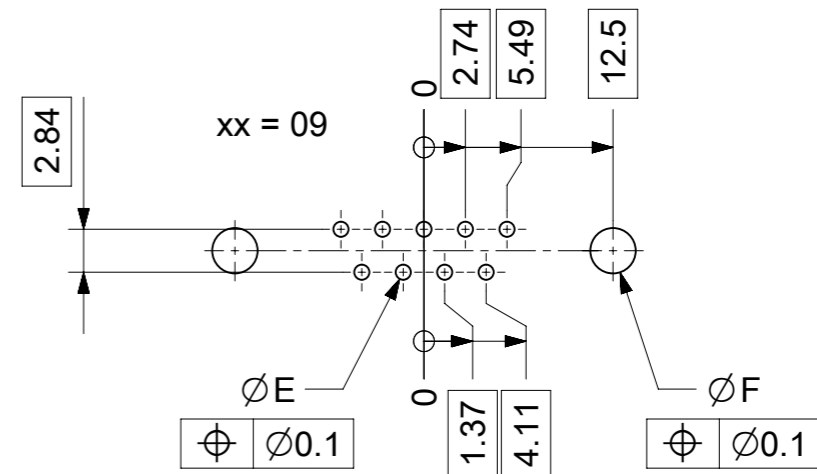
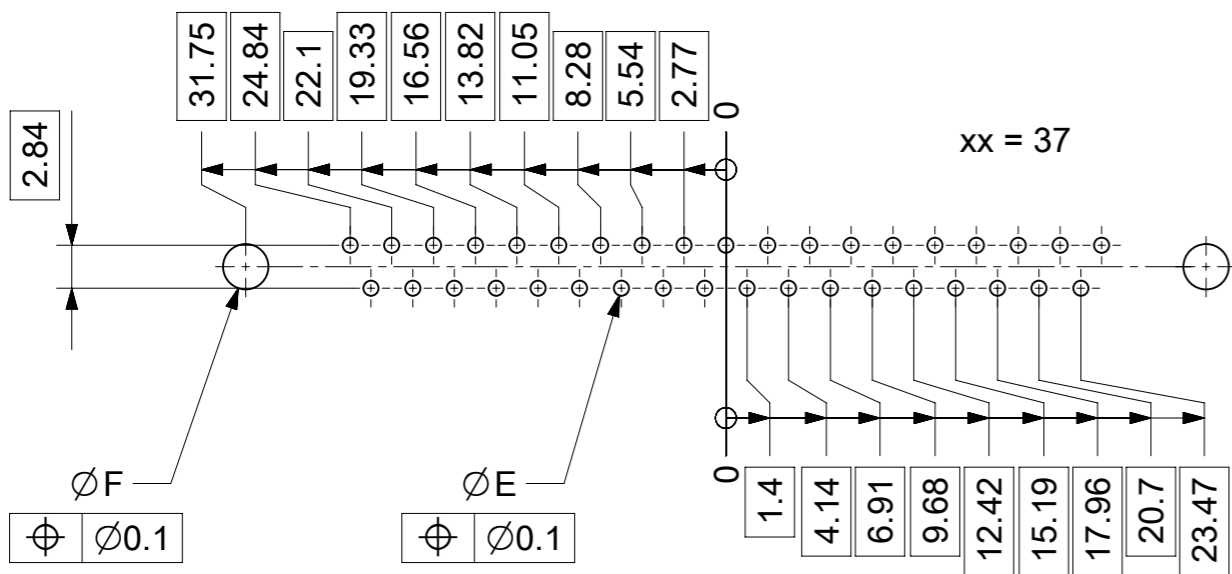
DOC PART: 000

REVISION: A

molex

FCT D-SUB MINIATURE CONNECTOR

PRODUCT CUSTOMER DRAWING



ØE, ØF see data sheet incl. connector
 ØF connectors with accessories only

MEASUREMENTS WITHOUT TOLERANCE ACC TO ISO 2768-m			REPLACEMENT FOR DOCUMENT NUMBER: AM0023			
THIS DRAWING CONTAINS INFORMATION THAT IS PROPRIETARY TO MOLEX ELECTRONIC TECHNOLOGIES, LLC AND SHOULD NOT BE USED WITHOUT WRITTEN PERMISSION						
FUNCTIONAL SYMBOLS	DIMENSION UNITS	SCALE	CURRENT REV DESC:			
$\nabla_A = 0$	mm	2:1	EC NO: 713905			
$\nabla_E = 0$	GENERAL TOLERANCES (UNLESS SPECIFIED)		DRWN: SKANDB 2022/05/16			
$\nabla_P = 0$	ANGULAR TOL ± °		CHK'D: MTEUBEL 2022/07/12			
DIVISIONAL SYMBOLS	4 PLACES ±		APPR: MTEUBEL 2022/07/12			
	3 PLACES ±		INITIAL REVISION:			
	2 PLACES ±		DRWN: SKANDB 2022/05/16			
	1 PLACE ±		APPR: MTEUBEL 2022/07/12			
	0 PLACES ±		DOCUMENT NUMBER			
DRAFT WHERE APPLICABLE MUST REMAIN WITHIN DIMENSIONS		FIRST ANGLE PROJECTION	DRAWING	SERIES	MATERIAL NUMBER	CUSTOMER
			A3-SIZE	219560	219560	GENERAL MARKET
			PRODUCT CUSTOMER DRAWING		REVISION	
			2195600023		A	
			PSD 000		1 OF 1	