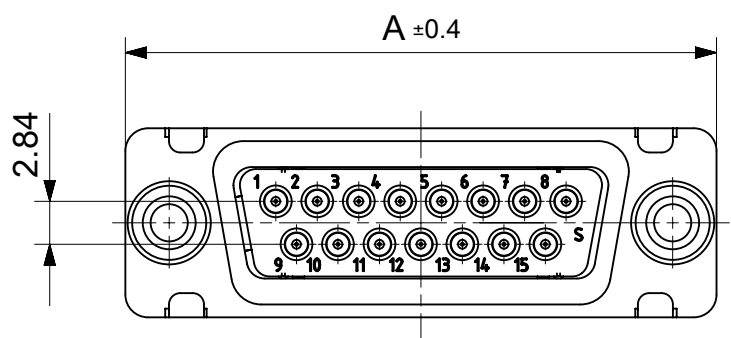
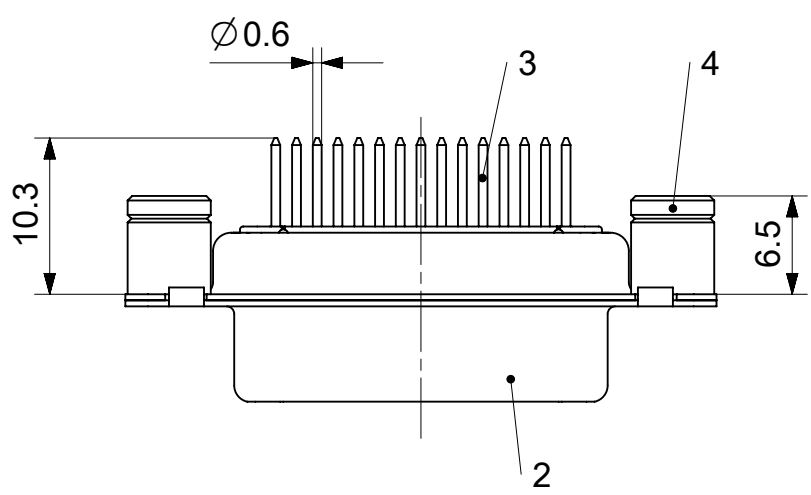
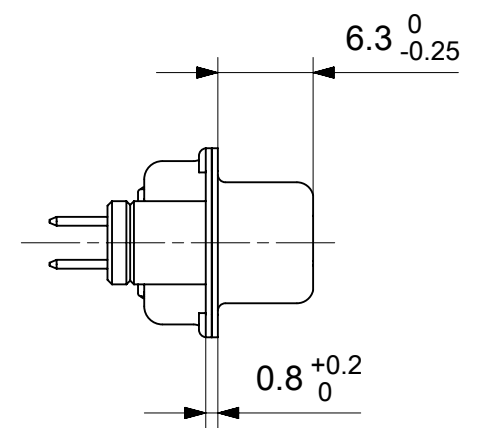
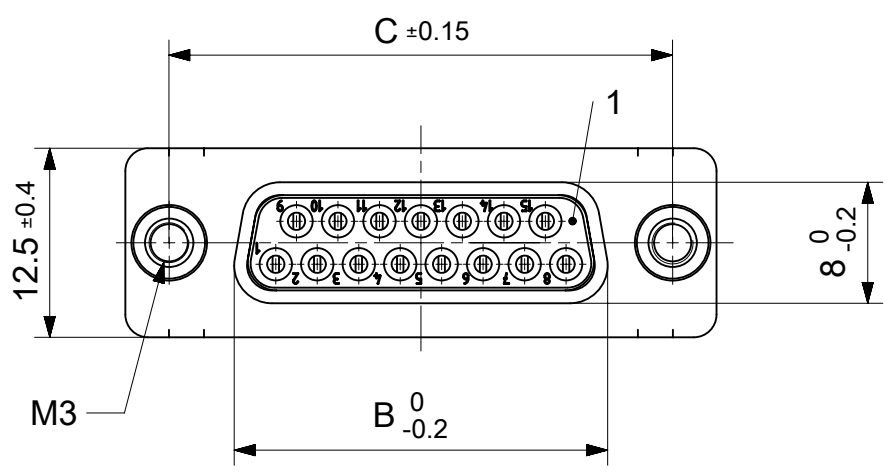


RoHS compliant
by exemption



FCT Part number:
Fxx*1)S1y*2)-1317
e.g. F15S1G1-1317
*1) xx No. of contacts 09, 15, 25 or 37
*2) y for performance classes 1, 2 or 3
(contact cycle for G1/G2/G3 = 500/200/50)

Material Number	xx*1)	y*2)	A[mm]	B[mm]	C[mm]	*E[mm]
-	09	-	30.8	16.4	25	Ø1
1731091323	15	G1	39.1	24.7	33.3	
1731091454	25	G1	53	38.5	47.04	
1731091551	37	G3	69.3	54.9	63.5	

*PCB hole patterns ØE see document 2195600023

4	2	Threaded spacer	M3 / Steel	tin plated
3	xx	Signal contact	S1 / Brass	G1 / G3
2	1	Shell	Steel	tin plated
1	1	Insulator	PBT (-55°C to +125°C) acc. UL94V-0	white
No.	St.	Part	Type Description/Material	Surface plating/ Color/Class

MEASUREMENTS WITHOUT TOLERANCE ACC TO ISO 2768-m

REPLACEMENT FOR DOCUMENT NUMBER: FxxS1Gy-1317

FUNCTIONAL SYMBOLS: THIS DRAWING CONTAINS INFORMATION THAT IS PROPRIETARY TO MOLEX ELECTRONIC TECHNOLOGIES, LLC AND SHOULD NOT BE USED WITHOUT WRITTEN PERMISSION

FUNCTIONAL SYMBOLS: DIMENSION UNITS: mm, SCALE: 2:1, CURRENT REV DESC:

GENERAL TOLERANCES (UNLESS SPECIFIED): ANGULAR TOL ± °

DIVISIONAL SYMBOLS: 4 PLACES ±, 3 PLACES ±, 2 PLACES ±, 1 PLACE ±, 0 PLACES ±

EC NO: 708549, DRWN: SKANDB, 2021/12/07, CHK'D: MTEUBEL, 2022/05/30, APPR: MTEUBEL, 2022/05/30

INITIAL REVISION: DRWN: SKANDB, 2021/12/07, APPR: MTEUBEL, 2022/05/30

DRAFT WHERE APPLICABLE MUST REMAIN WITHIN DIMENSIONS

FIRST ANGLE PROJECTION

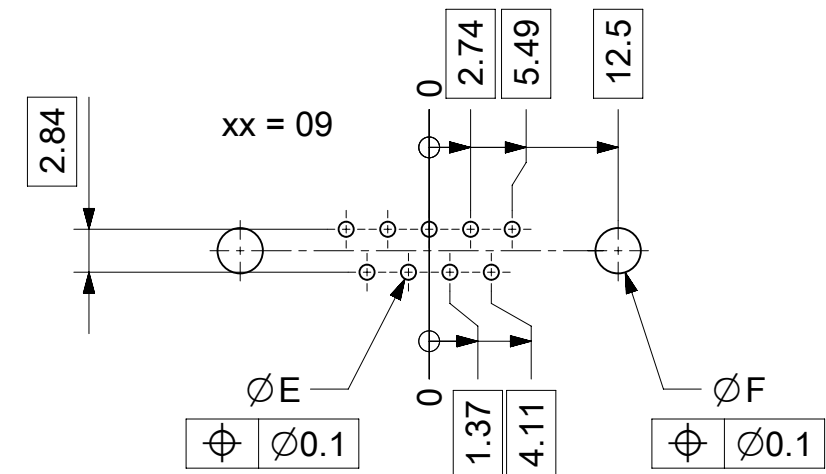
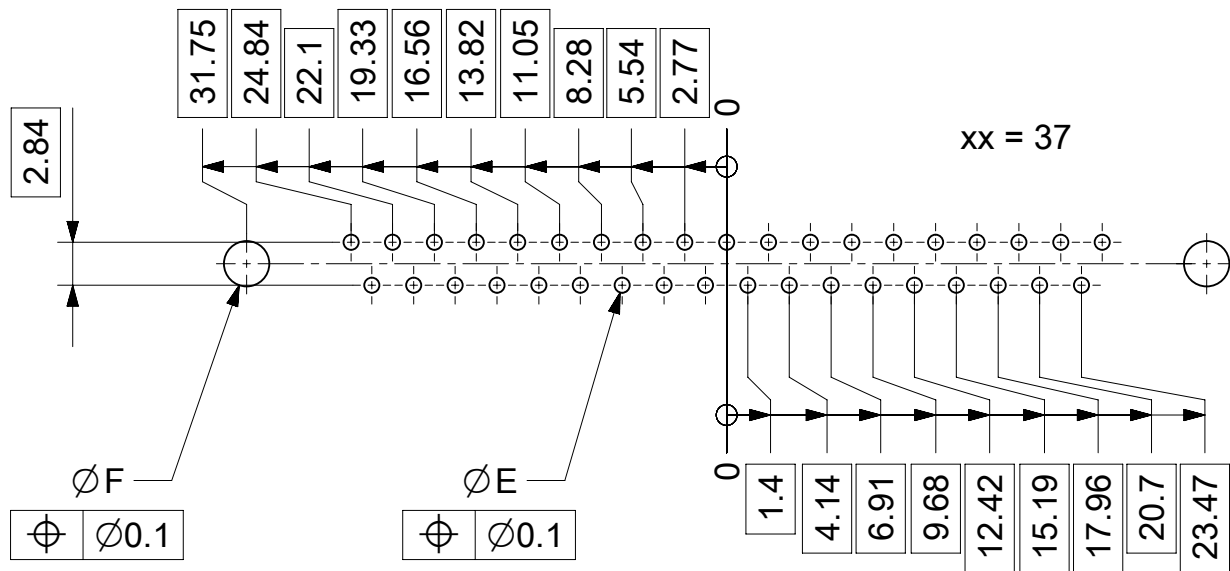
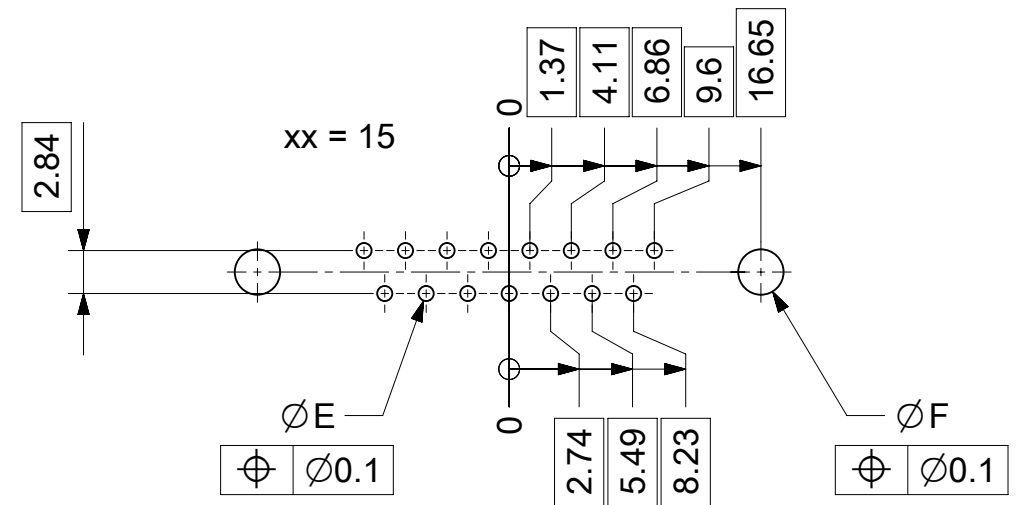
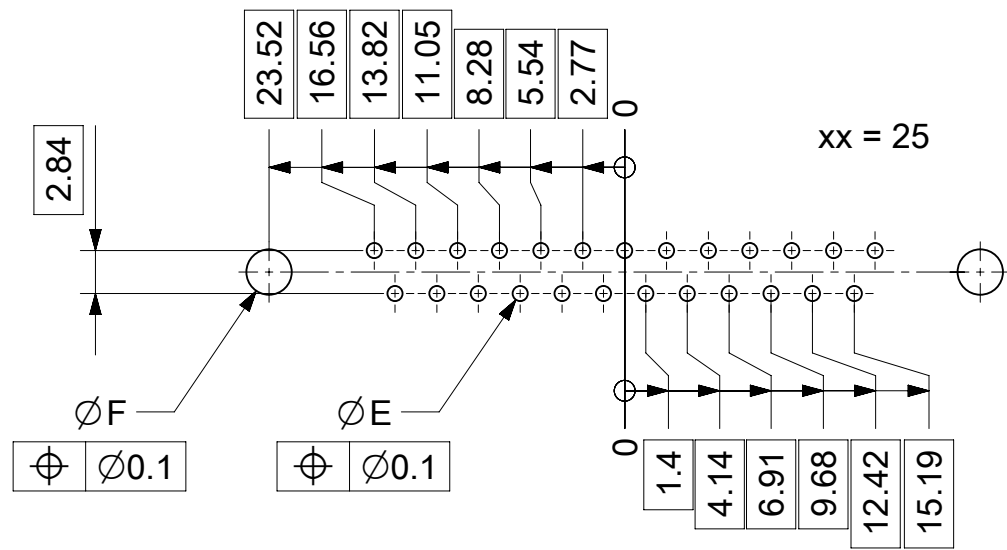
DRAWING: A3-SIZE, SERIES: 173109, MATERIAL NUMBER: SEE TABLE, CUSTOMER: GENERAL MARKET, SHEET NUMBER: 1 OF 1

molex

FCT D-SUB MINIATURE CONNECTOR

PRODUCT CUSTOMER DRAWING

DOCUMENT NUMBER: 1731091323, DOC TYPE: PSD, DOC PART: 000, REVISION: A



ØE, ØF see data sheet incl. connector
 ØF connectors with accessories only

MEASUREMENTS WITHOUT TOLERANCE ACC TO ISO 2768-m			REPLACEMENT FOR DOCUMENT NUMBER: AM0023			
THIS DRAWING CONTAINS INFORMATION THAT IS PROPRIETARY TO MOLEX ELECTRONIC TECHNOLOGIES, LLC AND SHOULD NOT BE USED WITHOUT WRITTEN PERMISSION						
FUNCTIONAL SYMBOLS	DIMENSION UNITS	SCALE	CURRENT REV DESC:			
$\nabla_A = 0$	mm	2:1	EC NO: 713905			
$\nabla_E = 0$	GENERAL TOLERANCES (UNLESS SPECIFIED)		DRWN: SKANDB 2022/05/16			
$\nabla_P = 0$	ANGULAR TOL ± °		CHK'D: MTEUBEL 2022/07/12			
DIVISIONAL SYMBOLS	4 PLACES ±		APPR: MTEUBEL 2022/07/12			
	3 PLACES ±		INITIAL REVISION:			
	2 PLACES ±		DRWN: SKANDB 2022/05/16			
	1 PLACE ±		APPR: MTEUBEL 2022/07/12			
	0 PLACES ±		DOCUMENT NUMBER			
DRAFT WHERE APPLICABLE MUST REMAIN WITHIN DIMENSIONS		FIRST ANGLE PROJECTION	DRAWING	SERIES	MATERIAL NUMBER	CUSTOMER
			A3-SIZE	219560	219560	GENERAL MARKET
			PRODUCT CUSTOMER DRAWING		REVISION	
			2195600023		A	
			PSD 000		1 OF 1	