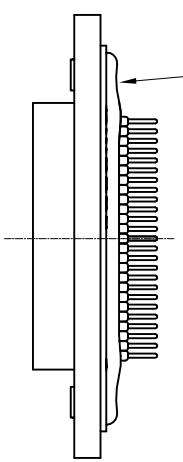
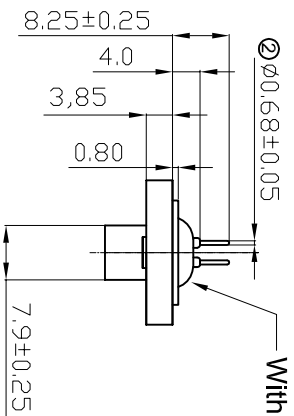
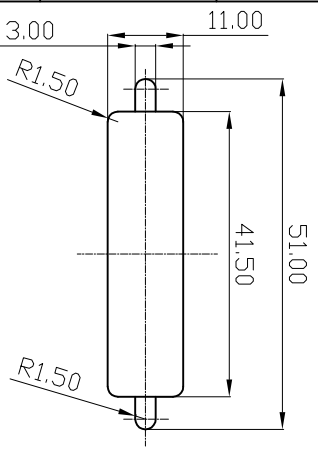


**A**  
Panel Thickness  
Screw L=5.0 For Panel Thickness Under 1.2mm  
Screw L=6.0 For Panel Thickness Between 1.2-2.0mm

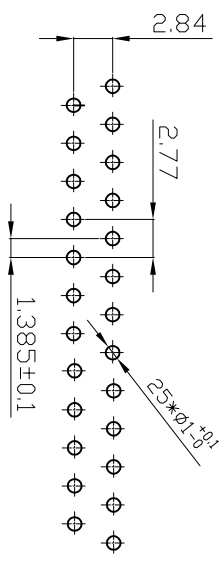
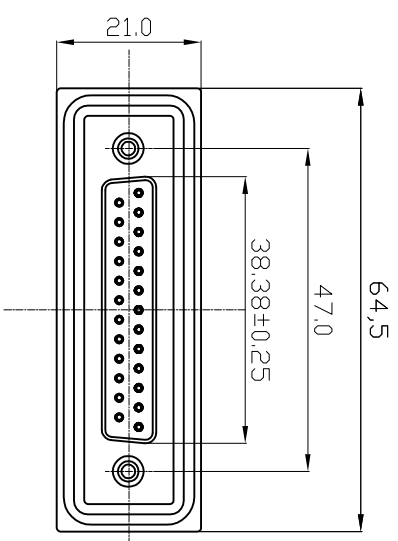
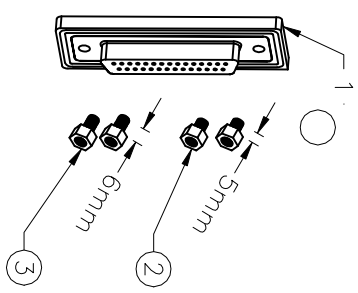


**NOTES:**

- MATERIAL**
1. Insulator Material: Black, NYLON+G/F
  2. Contact Material : Copper Alloy
  3. Plating : Gold Plating
  4. Waterproof Rate: IP67
  5. Do Mating Test After Glued



**C**  
Recommended Panel Cut-Out



**E**  
25 Pin Female Connector PCB Pin Layout  
Scale 2:1

**RoHS compliant**  
Unit: mm

Scale	Free				
TOLERANCE					
X.X	±0.25				
X.XX	±0.10				
X.XXX	±0.05				
DIM	TOL	①	Cancel LOGO and change dimension	Tom	
ANGLE	±1°	②	Drawn	JACK	
X.X°	±X°	③	Id.	Modification	
Angle	TOL				

Customer-No.	Name	Date	Name
	JACK	24.12.2008	Drawn
	Any	25.01.2018	Approved



ASSMANN WSW-No.  
**A-DF 25 PP-WP**

Drawing-No.  
**ASS 3261 CO**

Replace  
**rev02**

	1	2	3	4	5	6	7	
H								H
G								G
F								F
E								E
D								D
C								C
B								B
A								A