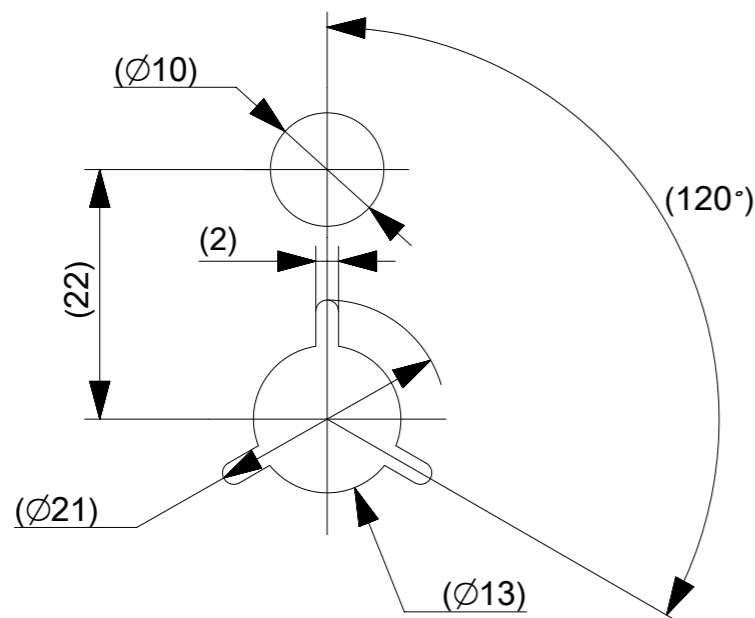
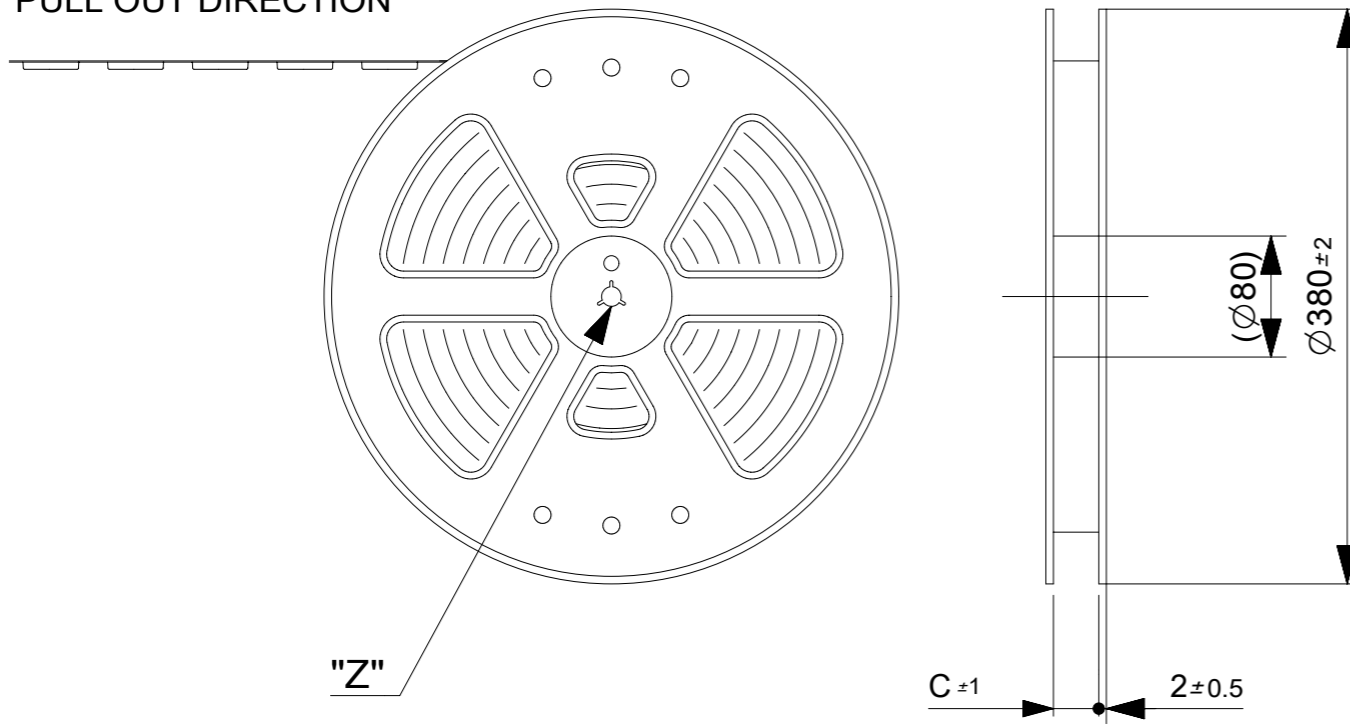


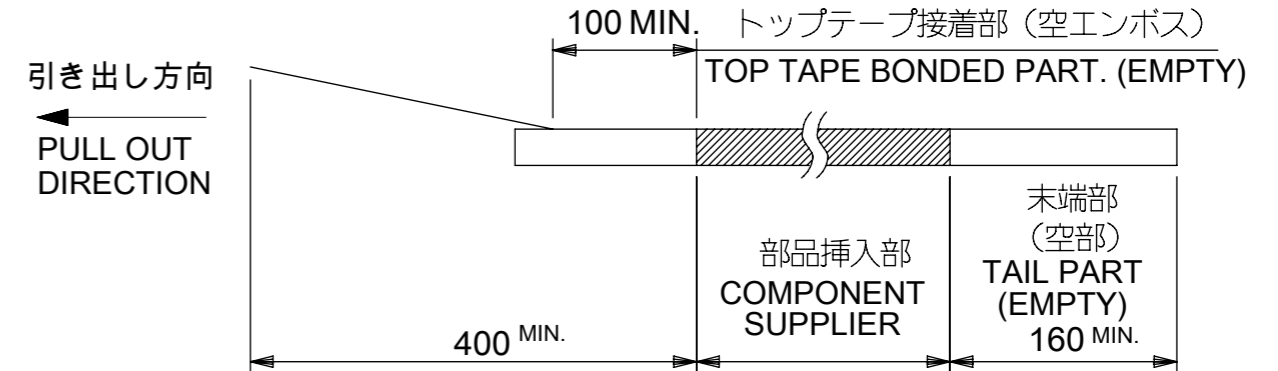
引き出し方向
PULL OUT DIRECTION



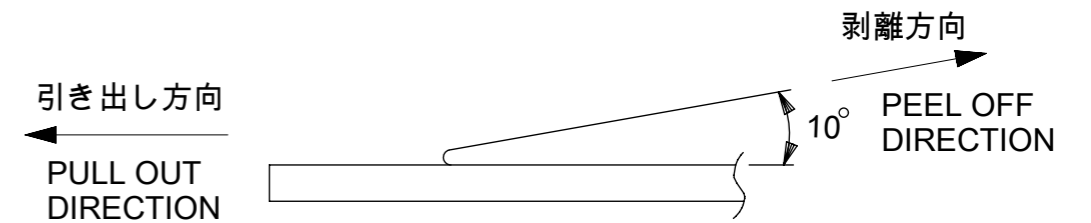
DETAIL "Z"

NOTES

- 製品詳細寸法は製品単体図面を参照して下さい。
FOR DETAIL OF CONNECTOR DIMENSIONS, PLEASE SEE THE DRAWING OF CONNECTOR ITSELF (NOT PACKAGED).
- 梱包数量 : 3000個 / リール
NUMBER OF CONNECTORS : 3000PCS/REEL
- リードテープ長さ LEAD TAPE LENGTH



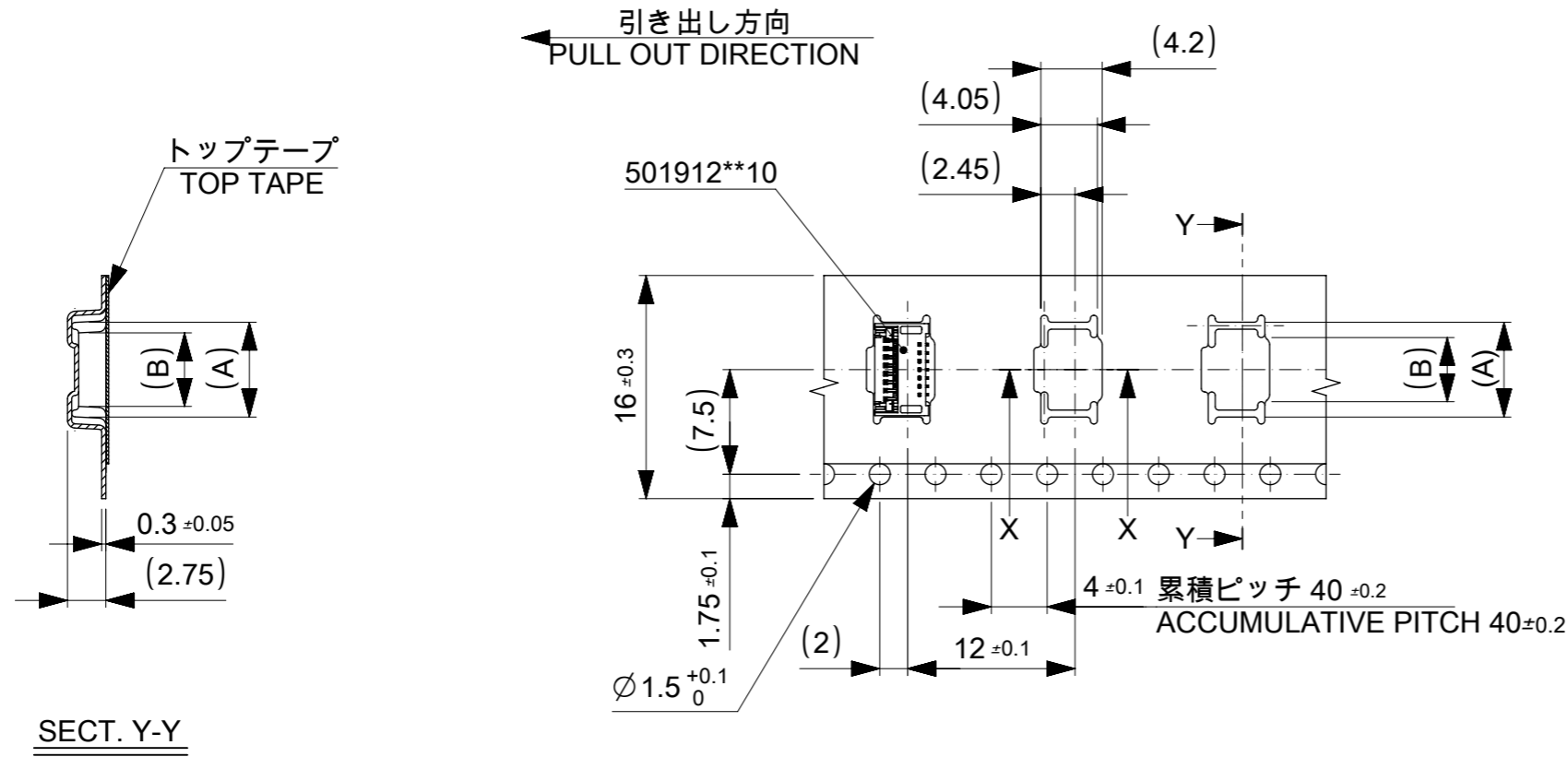
- トップテープの剥離強度 : 60 ± 35gf (0.25N ~ 0.93N) (剥離方向は下図参照) 尚、本規格は出荷時に適用。(但し、輸送時に剥離が発生しないこと。)
PEELING OFF FORCE OF TOP TAPE : 60gf ± 35gf (0.25N ~ 0.93N) (PEELING DIRECTION AS SHOWN IN FOLLOWING FIG,) THIS REQUIREMENT SHOULD BE APPLIED AT SHIPMENT. PEEL OFF SHOULD NOT BE ALLOWED, DURING TRANSPORTATION.



- 材料(MATERIAL)
キャリアテープ(CARRIER TAPE) : ポリスチレン(POLYSTYREN)
トップテープ(TOP TAPE) : PET, PE, PEF
リール(REEL) : ポリスチレン(PS) <リサイクル材を含む>
POLYSTYREN(PS) <RECYCLE MATERIAL CONTAINED>
- C寸法は SHEET 2~4を参照下さい。
SEE SHEET 2~4(DIMENSION C).
- ELV AND RoHS COMPLIANT.

501912**90 MODEL NO.

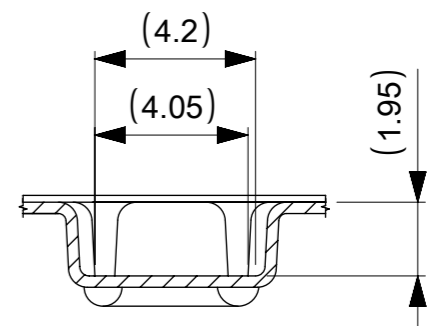
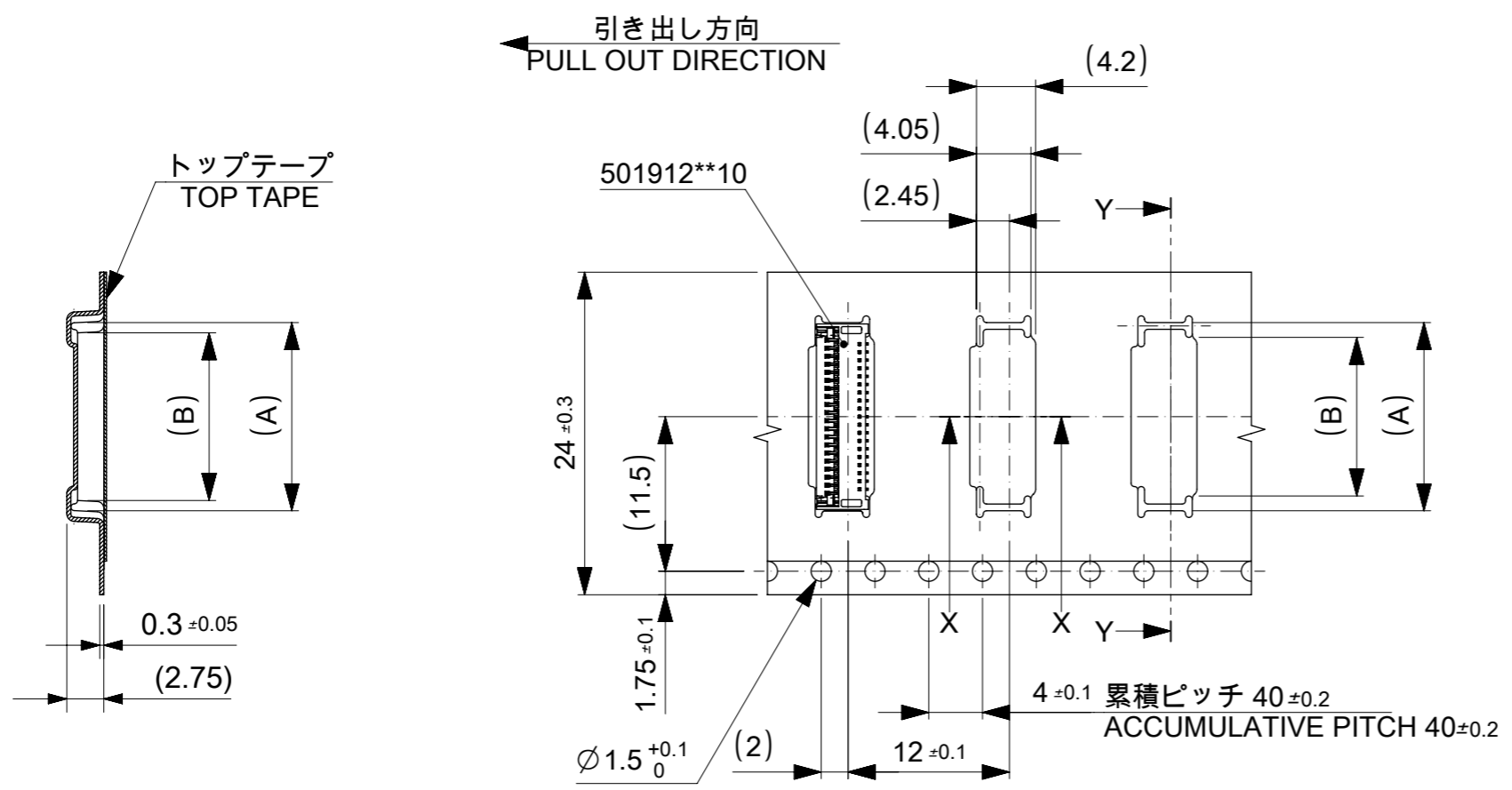
THIS DRAWING CONTAINS INFORMATION THAT IS PROPRIETARY TO MOLEX ELECTRONIC TECHNOLOGIES, LLC AND SHOULD NOT BE USED WITHOUT WRITTEN PERMISSION		CURRENT REV DESC: OBSOLETE PART NUMBER		molex	
DIMENSION UNITS	SCALE				
mm	NTS			EMBSTP PKG FOR 0.3 FPC CONN (HGT=1.8MM) GOLD PLATING	
GENERAL TOLERANCES (UNLESS SPECIFIED)				PRODUCT CUSTOMER DRAWING	
ANGULAR TOL	± 3.0 °			DOCUMENT NUMBER	
4 PLACES	± 0.2	EC NO: 638770	2020/03/12	5019120000	
3 PLACES	± 0.2	DRWN: RPRABHUM	2020/07/21	DOC TYPE	DOC PART
2 PLACES	± 0.2	CHK'D: GGA	2020/07/21	PSD	000
1 PLACE	± 0.2	APPR: GGA	2020/07/21	REVISION	B
0 PLACES	± 0.2	INITIAL REVISION:		SHEET NUMBER	
DRAFT WHERE APPLICABLE MUST REMAIN WITHIN DIMENSIONS		DRWN: SHIRATA	2015/11/24	1 OF 4	
THIRD ANGLE PROJECTION		APPR: YNOGAWA	2016/01/05		
DRAWING		SERIES	MATERIAL NUMBER	CUSTOMER	
A3-SIZE		501912	SEE TABLE		



16mm 幅キャリアテープ
16mm WIDTH CARRIER TAPE

16	17.5	4.6	6.8	5019121590	15
キャリアテープ幅 CARRIER TAPE WIDTH	C	(B)	(A)	オーダー番号 ORDER NO.	極数 Ckt
501912**90				MODEL NO.	

THIS DRAWING CONTAINS INFORMATION THAT IS PROPRIETARY TO MOLEX ELECTRONIC TECHNOLOGIES, LLC AND SHOULD NOT BE USED WITHOUT WRITTEN PERMISSION					
DIMENSION UNITS	SCALE	CURRENT REV DESC: OBSOLETE PART NUMBER			
mm	NTS				
GENERAL TOLERANCES (UNLESS SPECIFIED)					
ANGULAR TOL	± 3.0 °	EMBSTP PKG FOR 0.3 FPC CONN (HGT=1.8MM) GOLD PLATING			
4 PLACES	± 0.2	PRODUCT CUSTOMER DRAWING			
3 PLACES	± 0.2	EC NO: 638770	2020/03/12	DOCUMENT NUMBER	
2 PLACES	± 0.2	DRWN: RPRABHUM	2020/07/21	DOC TYPE DOC PART REVISION	
1 PLACE	± 0.2	CHK'D: GGA	2020/07/21	5019120000 PSD 000 B	
0 PLACES	± 0.2	APPR: GGA	2020/07/21	MATERIAL NUMBER CUSTOMER SHEET NUMBER	
DRAFT WHERE APPLICABLE MUST REMAIN WITHIN DIMENSIONS		THIRD ANGLE PROJECTION	DRAWING	SERIES	SEE TABLE
			A3-SIZE	501912	2 OF 4



SECT. X-X

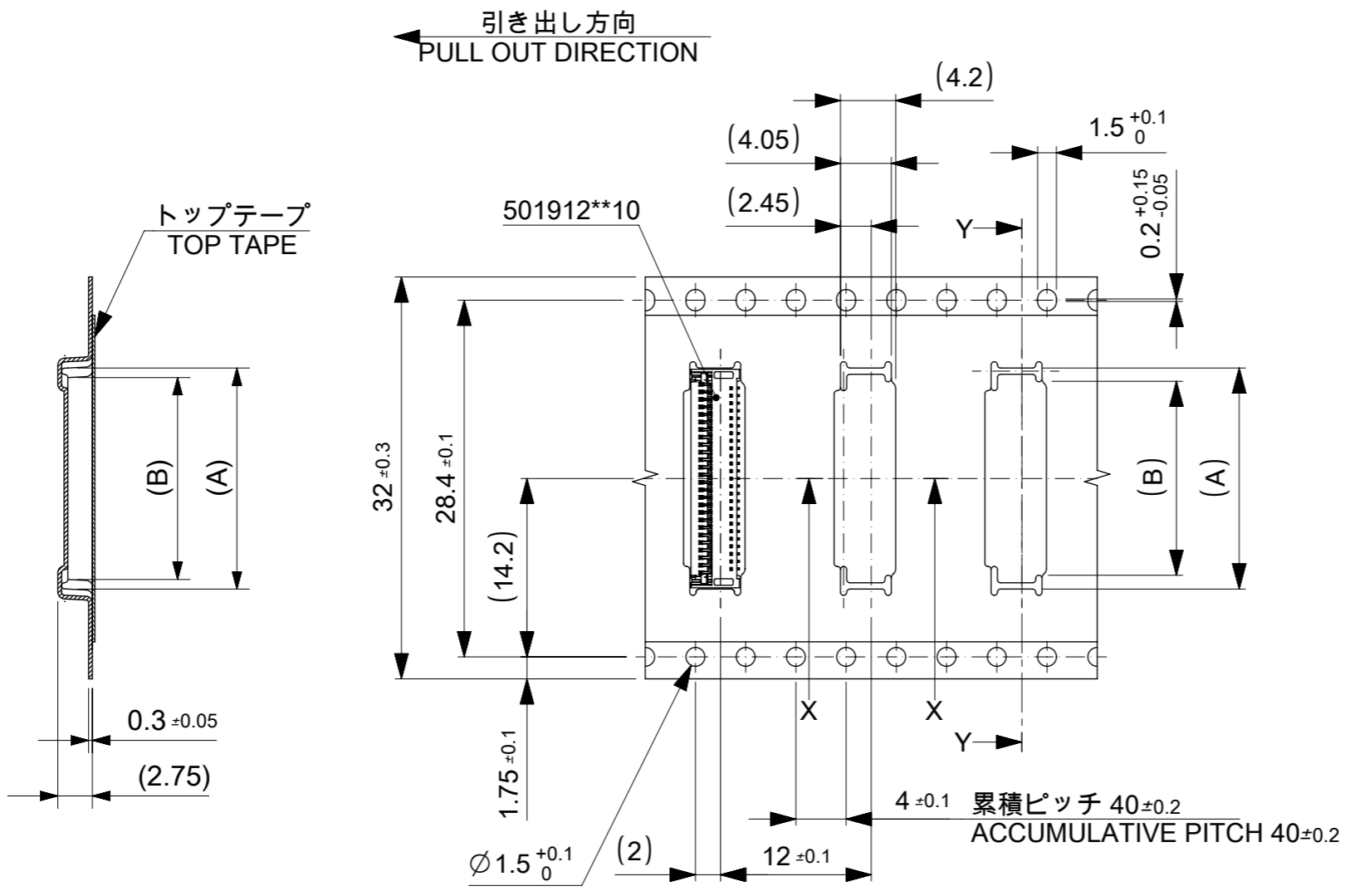
SECT. Y-Y

24mm幅キャリアテープ
24mm WIDTH CARRIER TAPE

24	25.5	12.4	14.6	5019124190	41	
		11.8	14.0	5019123990	39	
		11.2	13.4	5019123790	37	
		10.6	12.8	5019123590	35	
		10.0	12.2	5019123390	33	
		8.2	10.4	5019122790	27	
		7.6	9.8	5019122590	25	
		7.0	9.2	5019122390	23	
		6.4	8.6	5019122190	21	
キャリアテープ幅 CARRIER TAPE WIDTH		C	(B)	(A)	オーダー番号 ORDER NO.	極数 Ckt
501912**90				MODEL NO.		

THIS DRAWING CONTAINS INFORMATION THAT IS PROPRIETARY TO MOLEX ELECTRONIC TECHNOLOGIES, LLC AND SHOULD NOT BE USED WITHOUT WRITTEN PERMISSION

DIMENSION UNITS mm	SCALE NTS	CURRENT REV DESC: OBSOLETE PART NUMBER		molex		
GENERAL TOLERANCES (UNLESS SPECIFIED)		EC NO: 638770				
ANGULAR TOL	± 3.0 °	DRWN: RPRABHUM 2020/03/12		PRODUCT CUSTOMER DRAWING		
4 PLACES	± 0.2	CHK'D: GGA 2020/07/21		DOCUMENT NUMBER		
3 PLACES	± 0.2	APPR: GGA 2020/07/21		5019120000		
2 PLACES	± 0.2	INITIAL REVISION:		DOC TYPE	DOC PART	REVISION
1 PLACE	± 0.2	DRWN: SHIRATA 2015/11/24		PSD	000	B
0 PLACES	± 0.2	APPR: YNOGAWA 2016/01/05		SHEET NUMBER		
DRAFT WHERE APPLICABLE MUST REMAIN WITHIN DIMENSIONS	THIRD ANGLE PROJECTION	DRAWING	SERIES	MATERIAL NUMBER	CUSTOMER	3 OF 4
		A3-SIZE	501912	SEE TABLE		



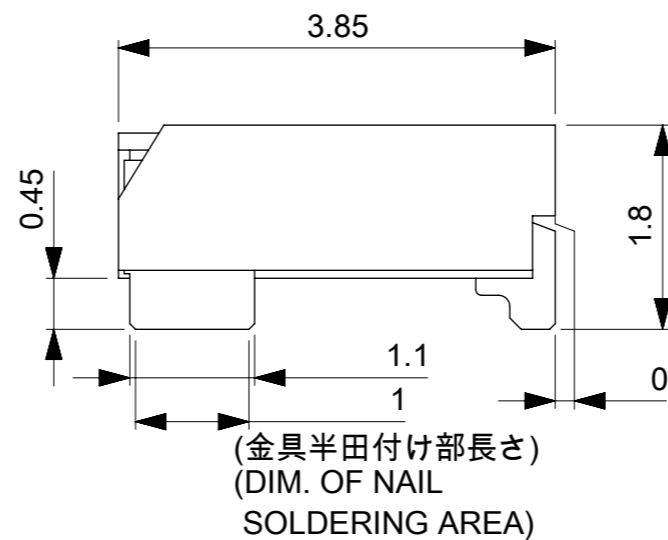
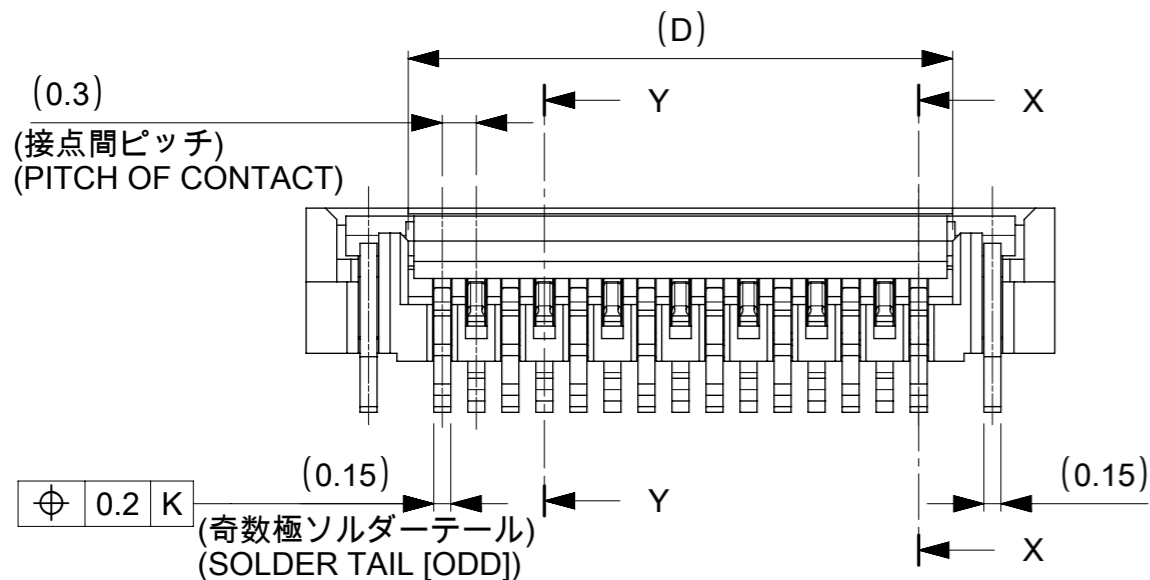
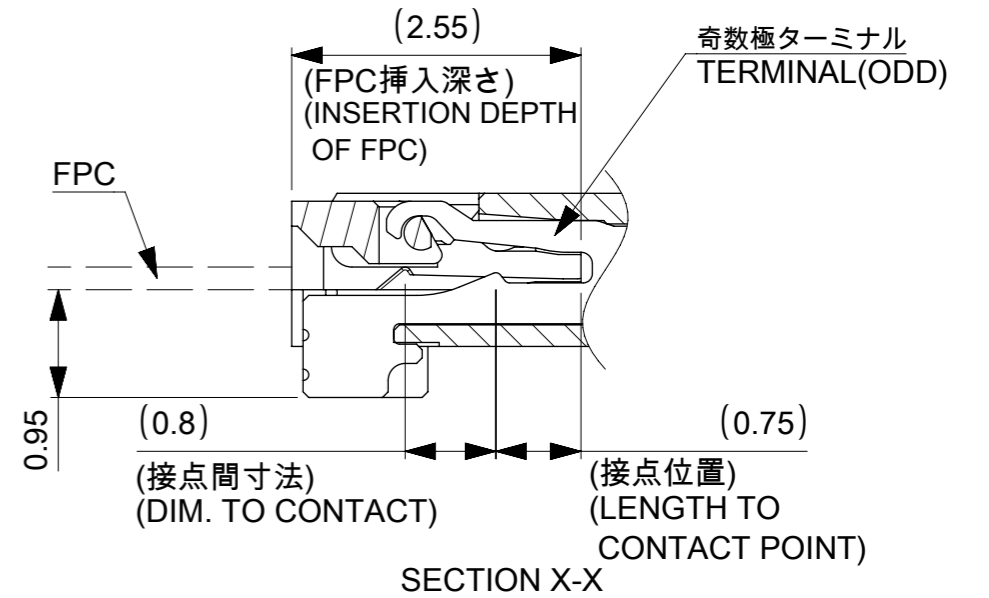
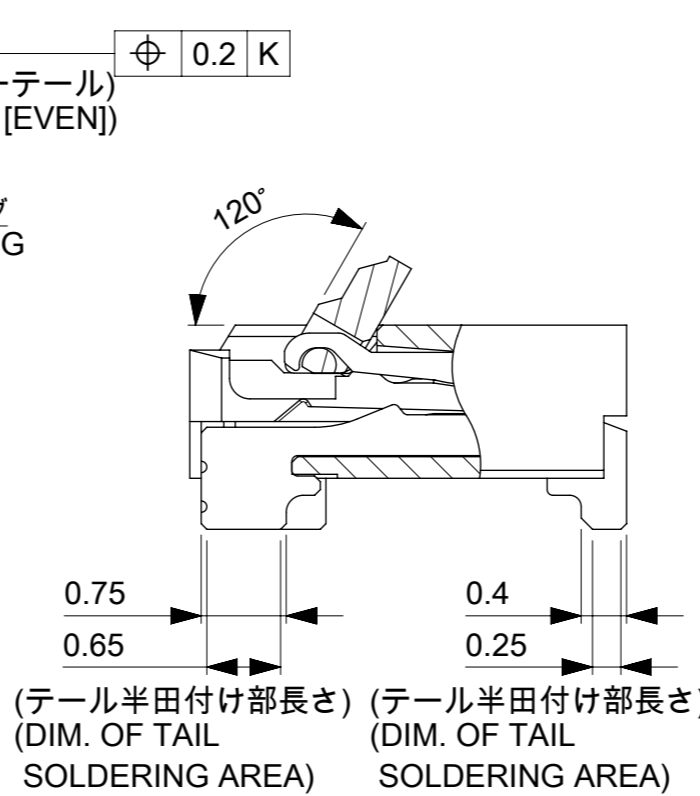
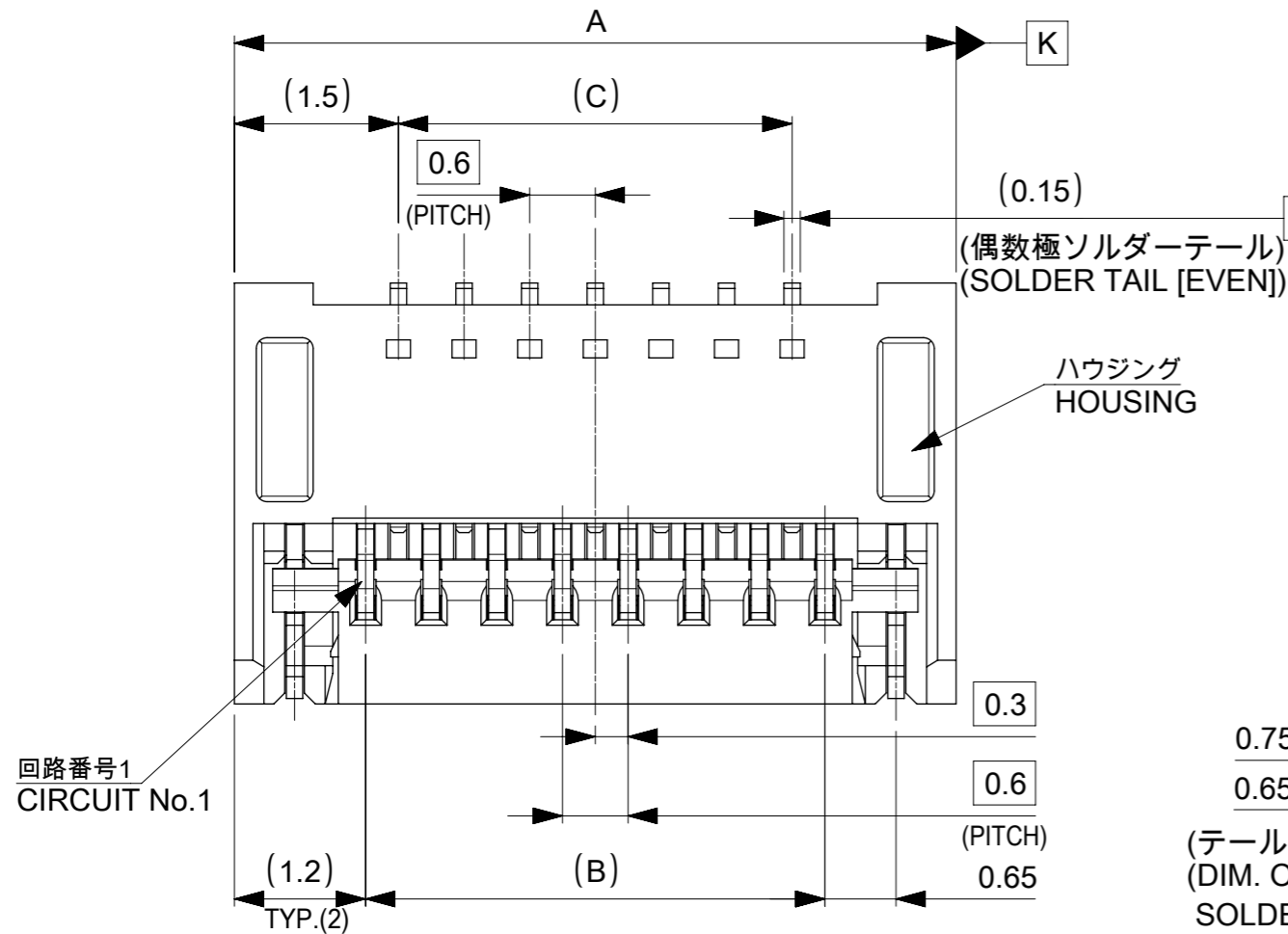
SECT. Y-Y

SECT. X-X

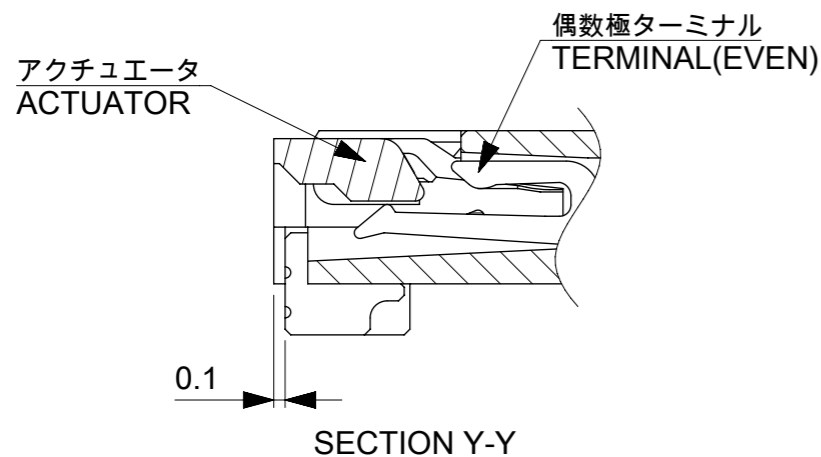
32mm幅キャリアテープ
32mm WIDTH CARRIER TAPE

32	33.5	15.4	17.6	5019125190	51
		13.6	15.8	5019124590	45
キャリアテープ幅 CARRIER TAPE WIDTH	C	(B)	(A)	オーダー番号 ORDER NO.	極数 Ckt
501912**90				MODEL NO.	

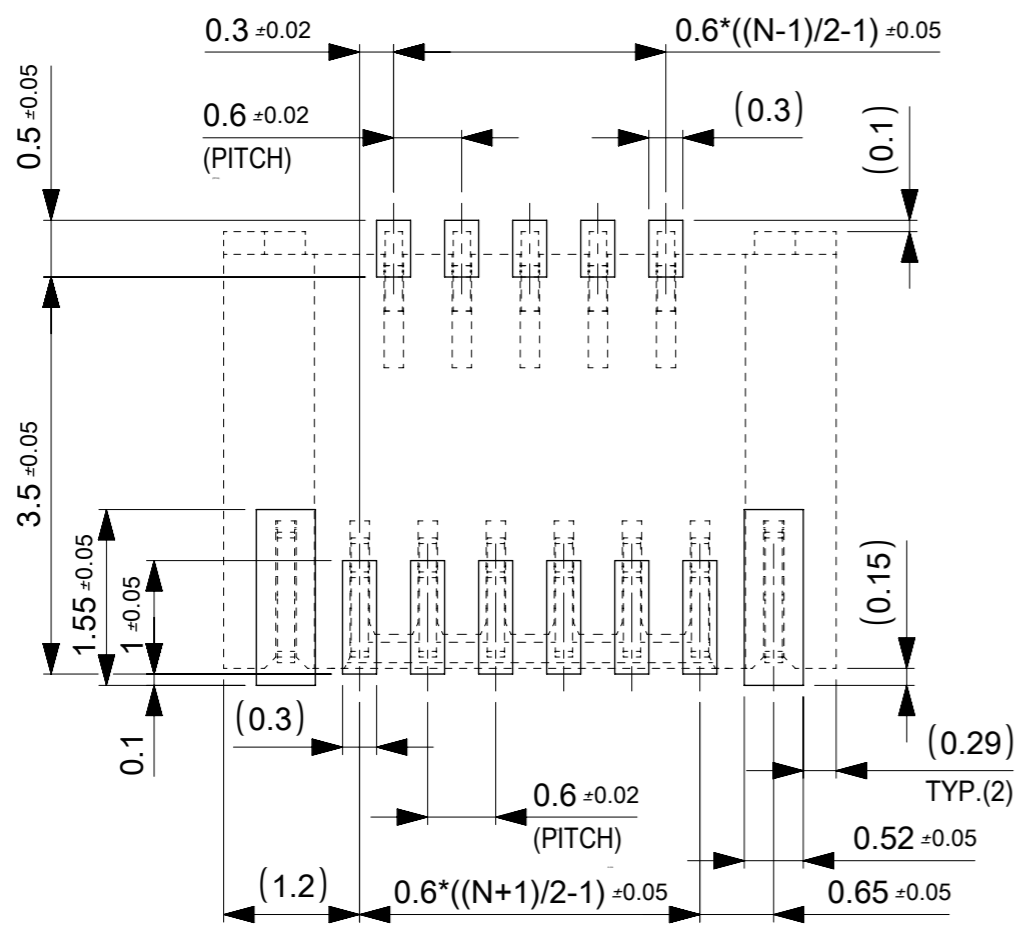
THIS DRAWING CONTAINS INFORMATION THAT IS PROPRIETARY TO MOLEX ELECTRONIC TECHNOLOGIES, LLC AND SHOULD NOT BE USED WITHOUT WRITTEN PERMISSION					
DIMENSION UNITS mm	SCALE NTS	CURRENT REV DESC: OBSOLETE PART NUMBER			
GENERAL TOLERANCES (UNLESS SPECIFIED)					
ANGULAR TOL ± 3.0°					
4 PLACES ± 0.2	EC NO: 638770	EMBSTP PKG FOR 0.3 FPC CONN (HGT=1.8MM) GOLD PLATING			
3 PLACES ± 0.2	DRWN: RPRABHUM 2020/03/12				
2 PLACES ± 0.2	CHK'D: GGA 2020/07/21	PRODUCT CUSTOMER DRAWING			
1 PLACE ± 0.2	APPR: GGA 2020/07/21				
0 PLACES ± 0.2	INITIAL REVISION:	DOCUMENT NUMBER		DOC TYPE	DOC PART
DRAFT WHERE APPLICABLE MUST REMAIN WITHIN DIMENSIONS	THIRD ANGLE PROJECTION	DRWING	SERIES	MATERIAL NUMBER	CUSTOMER
		A3-SIZE	501912	5019120000	PSD 000 B
				SEE TABLE	4 OF 4



15.6	14.4	15.0	17.4	5019125190	5019125110	51
13.8	12.6	13.2	15.6	5019124590	5019124510	45
12.6	11.4	12.0	14.4	5019124190	5019124110	41
12.0	10.8	11.4	13.8	5019123990	5019123910	39
11.4	10.2	10.8	13.2	5019123790	5019123710	37
10.8	9.6	10.2	12.6	5019123590	5019123510	35
10.2	9.0	9.6	12.0	5019123390	5019123310	33
8.4	7.2	7.8	10.2	5019122790	5019122710	27
7.8	6.6	7.2	9.6	5019122590	5019122510	25
7.2	6.0	6.6	9.0	5019122390	5019122310	23
6.6	5.4	6.0	8.4	5019122190	5019122110	21
4.8	3.6	4.2	6.6	5019121590	5019121510	15
D	C	B	A	EMBOSSED TAPE PKG		
				ORDER No.		MATERIAL No. CIRCUIT
MODEL No. 501912**10						



DIMENSION UNITS		SCALE	CURRENT REV DESC: OBSOLETE PART NUMBER			
mm		15:1				
GENERAL TOLERANCES (UNLESS SPECIFIED)						
ANGULAR TOL	±	3.0°				
4 PLACES	±	0.2				
3 PLACES	±	0.2				
2 PLACES	±	0.2				
1 PLACE	±	0.2				
0 PLACES	±	0.2				
DRAFT WHERE APPLICABLE MUST REMAIN WITHIN DIMENSIONS						
THIRD ANGLE PROJECTION		DRAWING	SERIES	MATERIAL NUMBER	CUSTOMER	SHEET NUMBER
		A3-SIZE	501912	SEE TABLE		1 OF 2



参考基板レイアウト図
(マウント面)
(MOUNTING SIDE)

注記 NOTES

1. 使用材料 MATERIAL

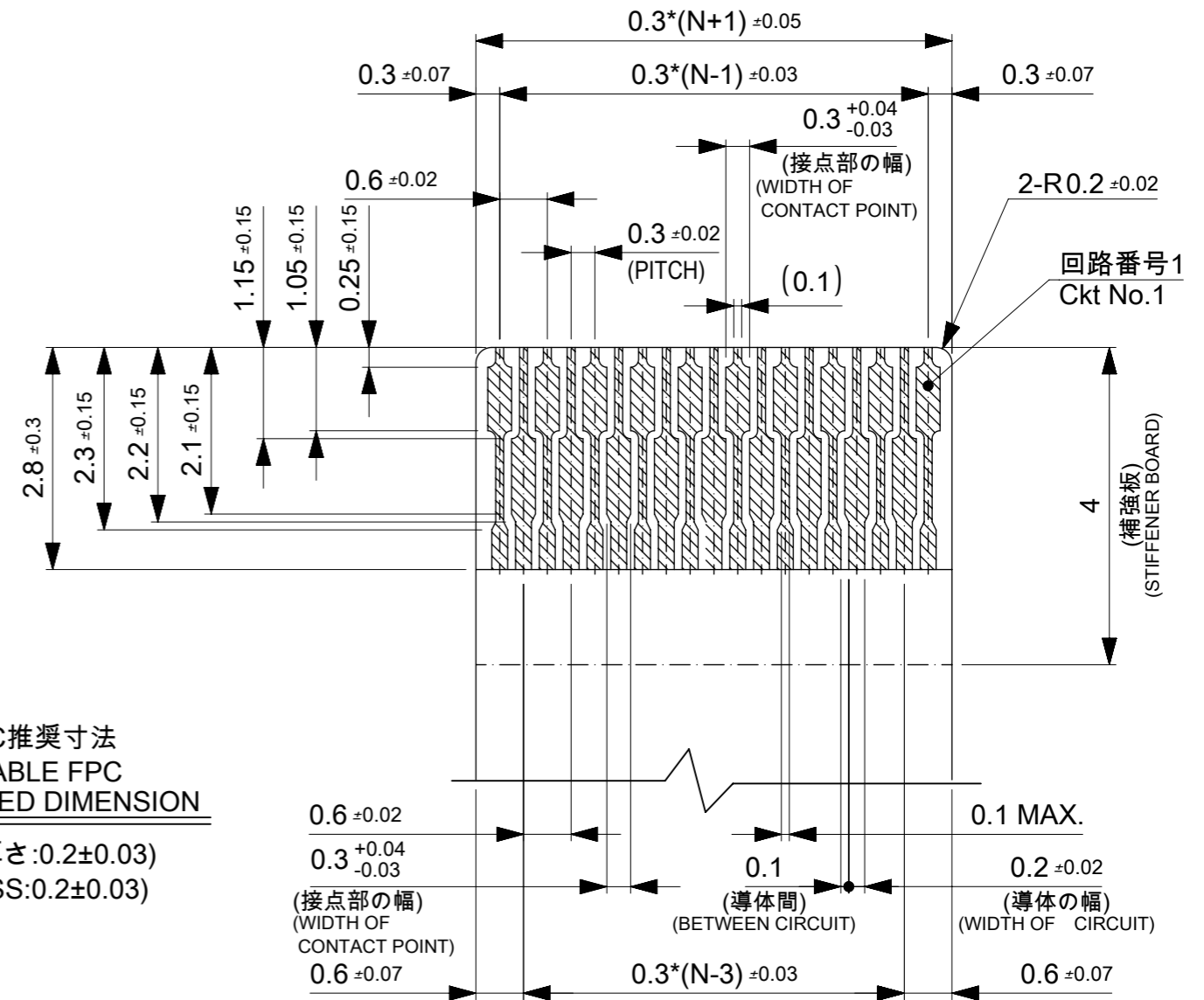
- ハウジング :耐熱性樹脂 ガラス充填 UL94V-0
- HOUSING :HEAT RESISTANCE POLYMER(GLASS FILLED) UL94V-0
- アクチュエータ :耐熱性樹脂 ガラス充填 UL94V-0
- ACTUATOR :HEAT RESISTANCE POLYMER(GLASS FILLED) UL94V-0
- ターミナル :銅合金(t=0.15)、ニッケル下地金メッキ
- TERMINAL :COPPER ALLOY(t=0.15),GOLD OVER NICKEL PLATING.
- 金具 :銅合金(t=0.15)、ニッケル下地スズメッキ
- FITTING NAIL :COPPER ALLOY(t=0.15),TIN OVER NICKEL PLATING.

ハウジングに黒点がある場合がありますが、問題はありません。

- 2. ソルダータール半田付け面、及び金具半田付け面の平坦度 : 0.1mm MAXIMUM.
COPLANARITY OF SOLDER TAILS AND FITTING NAILS TO BE 0.1mm MAXIMUM.
- 3. ELV AND RoHS COMPLIANT.

適合FPC推奨寸法
APPLICABLE FPC
RECOMMENDED DIMENSION

(仕上がり厚さ:0.2±0.03)
(THICKNESS:0.2±0.03)



FPCについて:

打抜き方向は導体側から補強板側を推奨致します。
導体部については軟銅箔35マイクロメートルまたは50マイクロメートルを推奨致します。
補強フィルム材質はポリイミドを推奨致します。
接着剤は熱硬化接着剤を推奨致します。

ABOUT FPC

RECOMMENDED PUNCHER DIRECTION : FROM CONDUCTOR SIDE TO STIFFENER FILM SIDE.

RECOMMENDED CONDUCTOR SPEC :

THICKNESS OF SOFT COPPER FOIL : 35 MICROMETER OR 50 MICROMETER.

RECOMMENDED MATERIAL :

STIFFENER FILM : POLYIMIDE
BONDING AGENT : THERMOSETTING BONDING AGENT.

THIS DRAWING CONTAINS INFORMATION THAT IS PROPRIETARY TO MOLEX ELECTRONIC TECHNOLOGIES, LLC AND SHOULD NOT BE USED WITHOUT WRITTEN PERMISSION									
DIMENSION UNITS		SCALE		CURRENT REV DESC: OBSOLETE PART NUMBER					
mm		15:1							
GENERAL TOLERANCES (UNLESS SPECIFIED)									
ANGULAR TOL		± 3.0 °		EC NO: 638770 DRWN: RPRABHUM 2020/03/12 3 PLACES ± 0.2 CHK'D: GGA 2020/07/21 APPR: GGA 2020/07/21 INITIAL REVISION: DRWN: SHIRATA 2015/11/24 APPR: YNOGAWA 2016/01/05					
4 PLACES		± 0.2							
3 PLACES		± 0.2							
2 PLACES		± 0.2							
1 PLACE		± 0.2							
0 PLACES		± 0.2		DOCUMENT NUMBER		DOC TYPE		DOC PART	
DRAFT WHERE APPLICABLE MUST REMAIN WITHIN DIMENSIONS				THIRD ANGLE PROJECTION		DRAWING		SERIES	
						A3-SIZE		501912	
				MATERIAL NUMBER		CUSTOMER		SHEET NUMBER	
				SEE TABLE				2 OF 2	