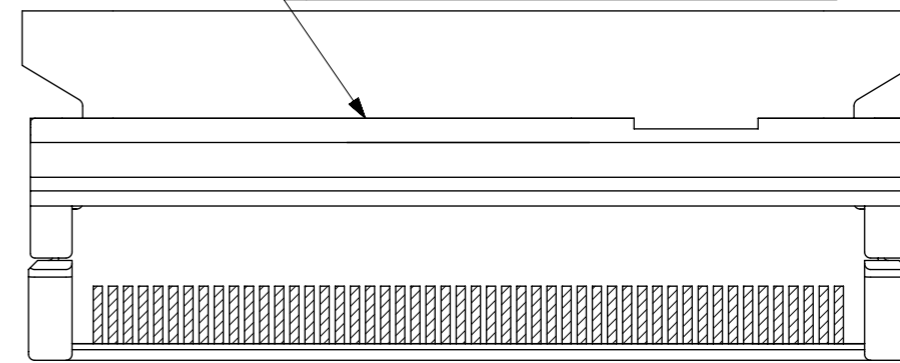
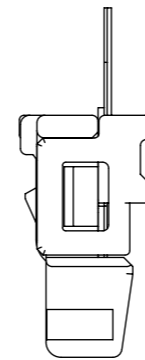
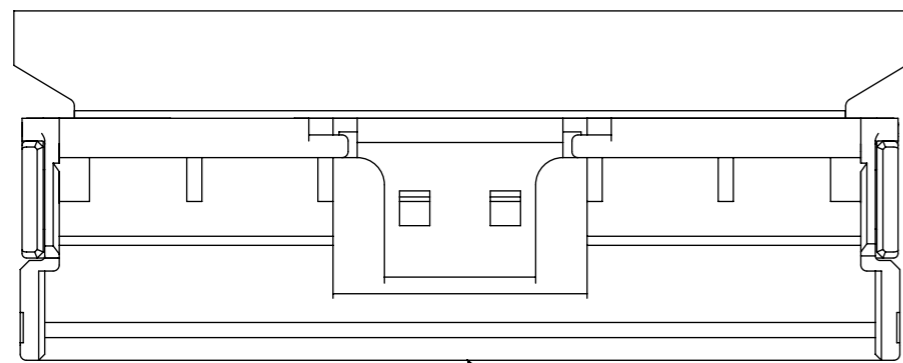


注記 NOTES

- 使用材料 MATERIAL  
 ハウジング：液晶ポリマー(LCP)、ガラス充填、UL94V-0、黒色  
 ターミナル：銅合金 (t=0.18)  
 補強金具：銅合金 (t=0.25)  
 吸着テープ：ポリイミド  
 HOUSING : LIQUID CRYSTAL POLYMER(LCP), GLASS FILLED, UL94V-0, BLACK  
 TERMINAL : COPPER ALLOY (t=0.18)  
 FITTING NAIL : COPPER ALLOY (t=0.25)  
 COVER TAPE: POLYIMIDE
- めっき仕様 PLATING  
 ターミナル：錫ビスマスめっき(1.0um以上) 下地：ニッケルめっき  
 補強金具：錫めっき(1.0um以上) 下地：ニッケルめっき  
 TERMINAL : TIN BISMUTH(1.0umMIN) UNDERPLATING : NICKEL PLATING  
 FITTING NAIL : TIN PLATING(1.0umMIN) UNDER PLATING : NICKEL PLATING
- △3 パターン剥離止め用補強金具  
 FITTING NAIL FOR PREVENTION OF PEELING OF P.C.B. PATTERN.
- テールと金具を併せた平坦度は0.1mm以下とする。  
 TAILS AND NAILS COPLANARITY TO BE 0.1mm MAXIMUM.
- △5 N = 偶数に適用 ( N : 極数 )  
 APPLY FOR N=EVEN(N:CIRCUIT)

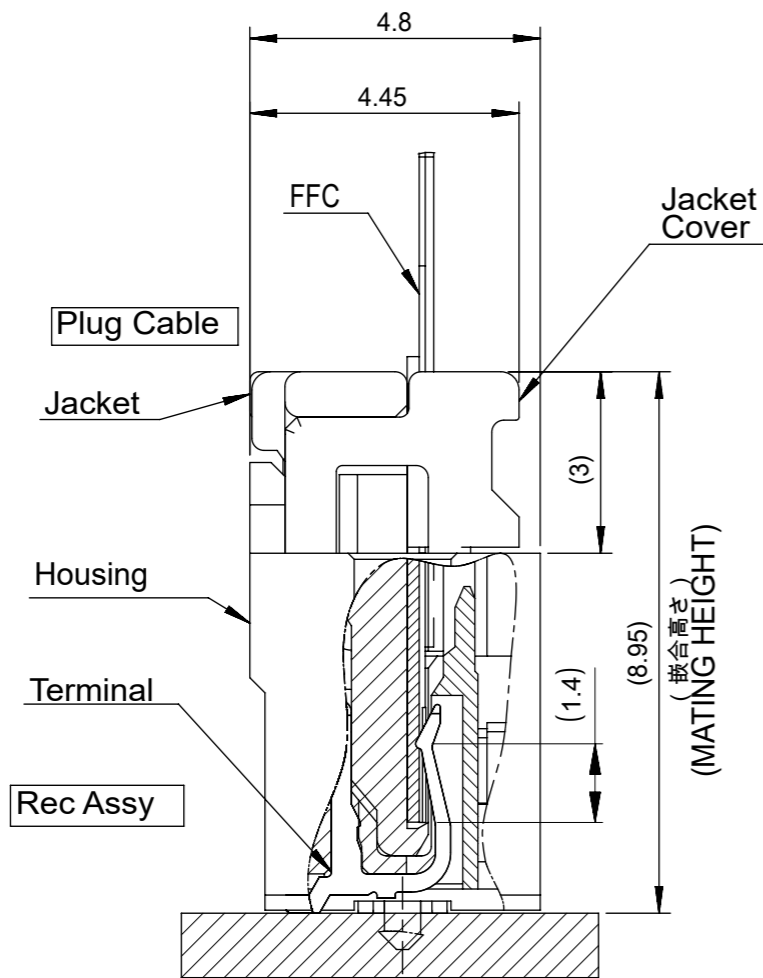
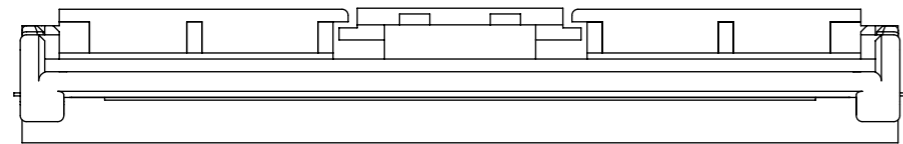
27.2	29.1	24.5	33.1	5017865080	50
22.2	24.1	19.5	28.1	5017864080	40
17.2	19.1	14.5	23.1	5017863080	30
D	C	B	A	EMBOSSED PACKAGE	Circuit
				オーダー番号 ORDER No.	

THIS DRAWING CONTAINS INFORMATION THAT IS PROPRIETARY TO MOLEX ELECTRONIC TECHNOLOGIES, LLC AND SHOULD NOT BE USED WITHOUT WRITTEN PERMISSION		CURRENT REV DESC:		<b>molex</b>	
DIMENSION UNITS	SCALE				
mm	NTS			0.5 FFC TO BOARD CONN REC HSG ASSY(ST)	
GENERAL TOLERANCES (UNLESS SPECIFIED)		EC NO: 752869		PRODUCT CUSTOMER DRAWING	
ANGULAR TOL ± 1.0°		DRWN: NARENC 2023/05/04		DOCUMENT NUMBER	
4 PLACES ±		CHK'D: HSHIMOMYAMA 2023/06/12		DOC TYPE	
3 PLACES ±		APPR: YNAITO 2023/06/13		DOC PART	
2 PLACES ±		INITIAL REVISION:		REVISION	
1 PLACE ±		DRWN: HIJIMA 2006/03/31		SD-501786-004	
0 PLACES ±		APPR: KTAKAHASHI 2006/04/04		PSD 001 B	
DRAFT WHERE APPLICABLE MUST REMAIN WITHIN DIMENSIONS		THIRD ANGLE PROJECTION	DRAWING	SERIES	MATERIAL NUMBER
GENERAL TOLERANCES (UNLESS SPECIFIED)		⊕	A3-SIZE	501786	CUSTOMER
10 UNDER	±0.2			SEE TABLE	GENERAL MARKET
10 OVER 30 UNDER	±0.25			SHEET NUMBER	
30 OVER	±0.3			1 OF 3	



適合ジャケット : 501783-\*\*09  
 製品詳細寸法はSD-501783-001を参照下さい。  
 APPLICABLE JACKET:501783-\*\*09.  
 RE DETAILED DIMENSION,SEE SD-501783-001.

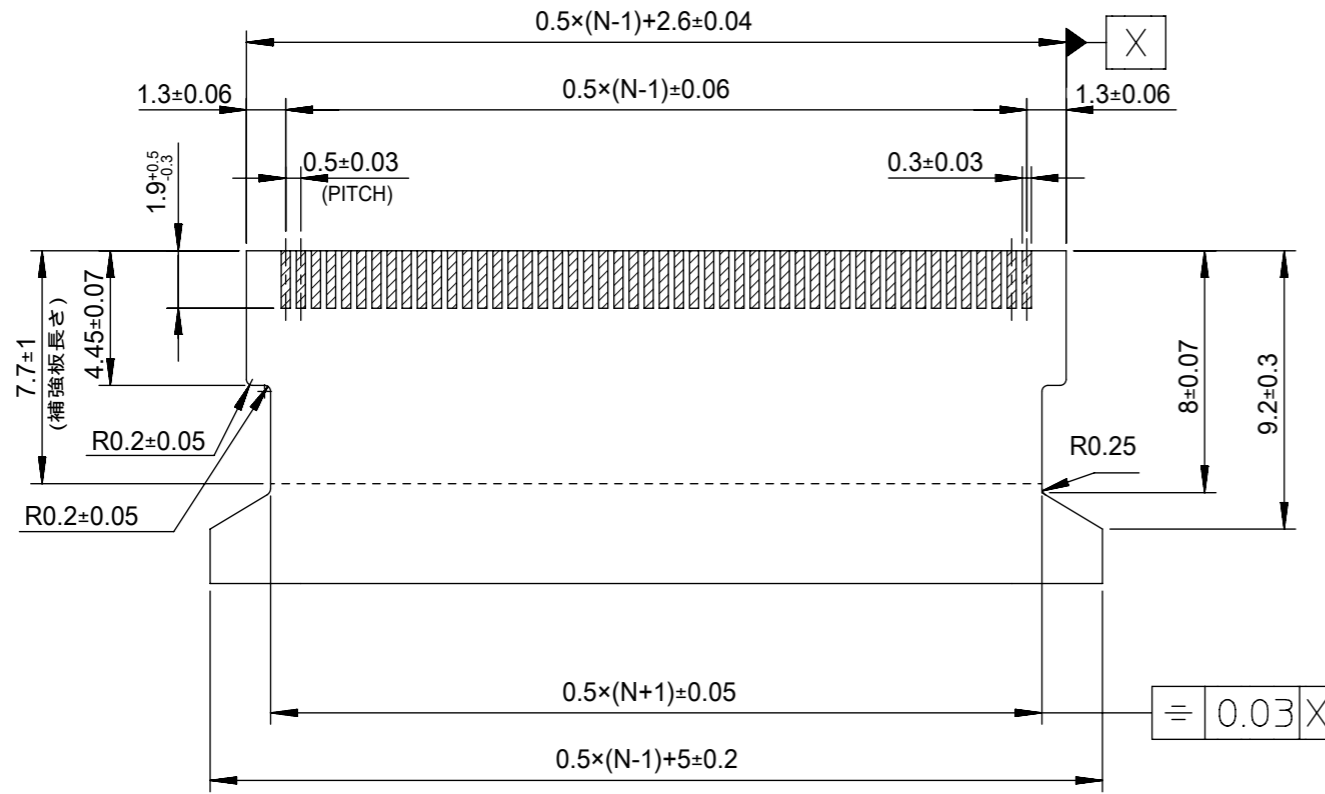
適合ジャケットカバー : 501784-\*\*09  
 製品詳細寸法はSD-501784-001を参照下さい。  
 APPLICABLE JACKET:501784-\*\*09.  
 RE DETAILED DIMENSION,SEE SD-501784-001.



嵌合断面図

THIS DRAWING CONTAINS INFORMATION THAT IS PROPRIETARY TO MOLEX ELECTRONIC TECHNOLOGIES, LLC AND SHOULD NOT BE USED WITHOUT WRITTEN PERMISSION		CURRENT REV DESC:			
DIMENSION UNITS	SCALE				
mm	NTS			0.5 FFC TO BOARD CONN REC HSG ASSY(ST)	
GENERAL TOLERANCES (UNLESS SPECIFIED)				PRODUCT CUSTOMER DRAWING	
ANGULAR TOL ± 1.0°				DOCUMENT NUMBER	
4 PLACES	±	EC NO: 752869	2023/05/04	SD-501786-004	
3 PLACES	±	DRWN: NARENC	2023/06/12	DOC TYPE	DOC PART
2 PLACES	±	CHK'D: HSHIMOMYAMA	2023/06/13	PSD	001
1 PLACE	±	APPR: YNAITO		REVISION	
0 PLACES	±	INITIAL REVISION:		B	
DRAFT WHERE APPLICABLE MUST REMAIN WITHIN DIMENSIONS		DRWN: HIJIMA	2006/03/31	SHEET NUMBER	
THIRD ANGLE PROJECTION		APPR: KTAKAHASHI	2006/04/04	SEE SHEET 1	GENERAL MARKET
DRAWING		SERIES	MATERIAL NUMBER	CUSTOMER	
A3-SIZE		501786	SEE SHEET 1	GENERAL MARKET	

GENERAL TOLERANCES (UNLESS SPECIFIED)	
10 UNDER	±0.2
10 OVER 30 UNDER	±0.25
30 OVER	±0.3

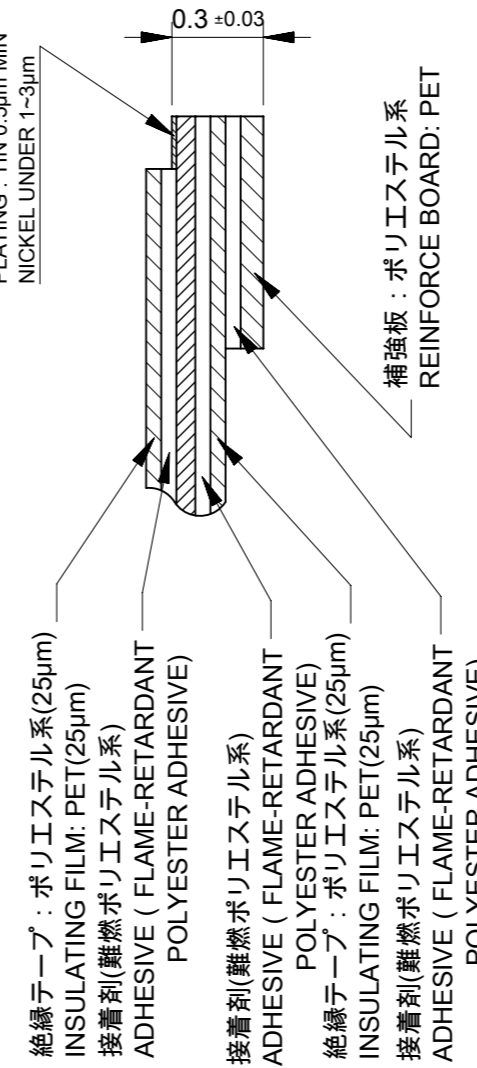


適合FFC推奨寸法  
APPLICABLE FFC RECOMENDED DIMENSION

仕上がり厚さ THICKNESS  
コネクタ接点部 : 0.3 ± 0.03  
CONNECTOR CONTACT PORTION : 0.3 ± 0.03

コネクタ接点部  
CONNECTOR CONTACT PORTION

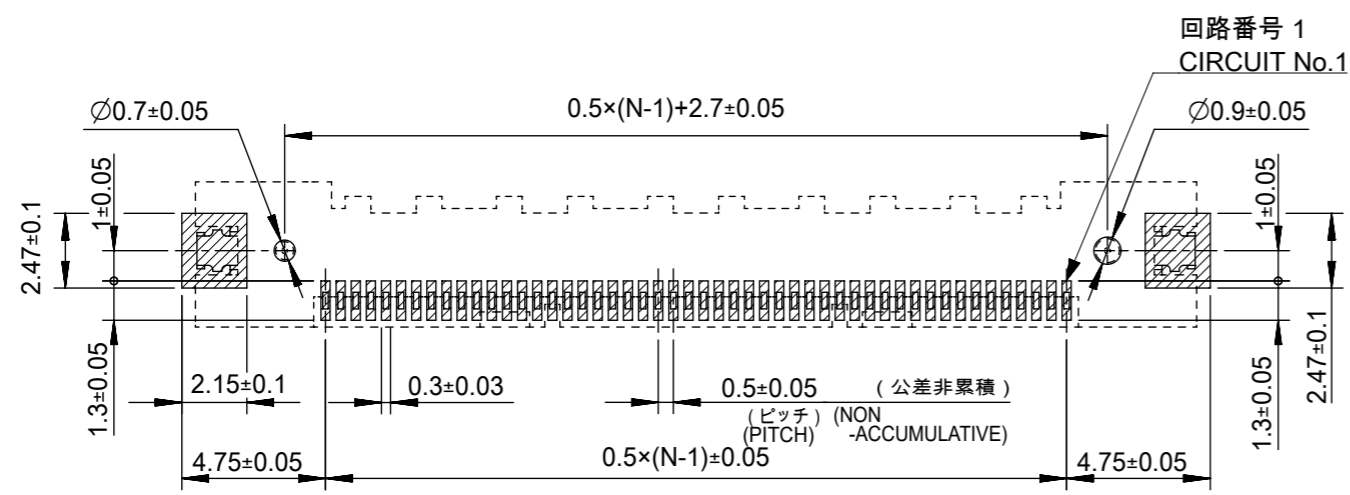
導体部 : 銅箔(35µmか50µm)  
COPPER FOIL (35µm or 50µm)  
錫めっき : 0.5µm  
ニッケル下地 : 1-3µm  
PLATING : TIN 0.5µm MIN  
NICKEL UNDER 1~3µm



FFC構成推奨仕様  
RECOMMENDED STRUCTURE OF FFC

FFCについて ABOUT FFC

打ち抜き方向は導体側から補強板側を推奨します。  
導体部については軟箔銅35µmまたは50µmを推奨します。  
FFCに規定された定格温度がFFC単体前提である場合が御座います。  
コネクタと組み合わせての実使用において、接着層が劣化するなどの信頼性を満足できないケースを回避するため、実機での評価/確認をお願いいたします。  
RECOMMENDED PUNCHING DIRECTION : FROM CONDUCTOR SIDE TO STIFFENER SIDE  
RECOMMENDED CONDUCTOR SPEC : SOFT COPPER FOIL  
RECOMMENDED CONDUCTOR THICKNESS : 35 MICROMETER OR 50 MICROMETER  
NOTE : WHEN ACTUALLY USING IT WITH CONNECTOR, PLEASE DO THE EVALUATION AND THE CONFIRMATION WITH AN ACTUAL EQUIPMENT TO EVADE THE CASE WHERE RELIABILITY CANNOT BE FILLED (THE ADHESIVE LINE OF FFC IS DETERIORATED ETC.)

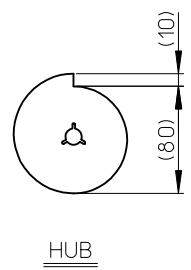
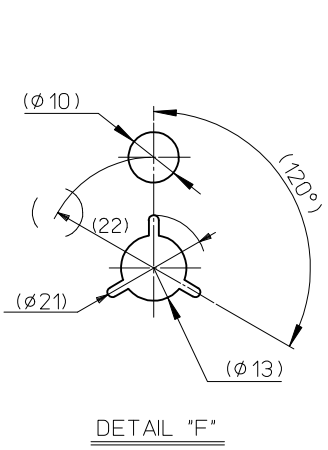
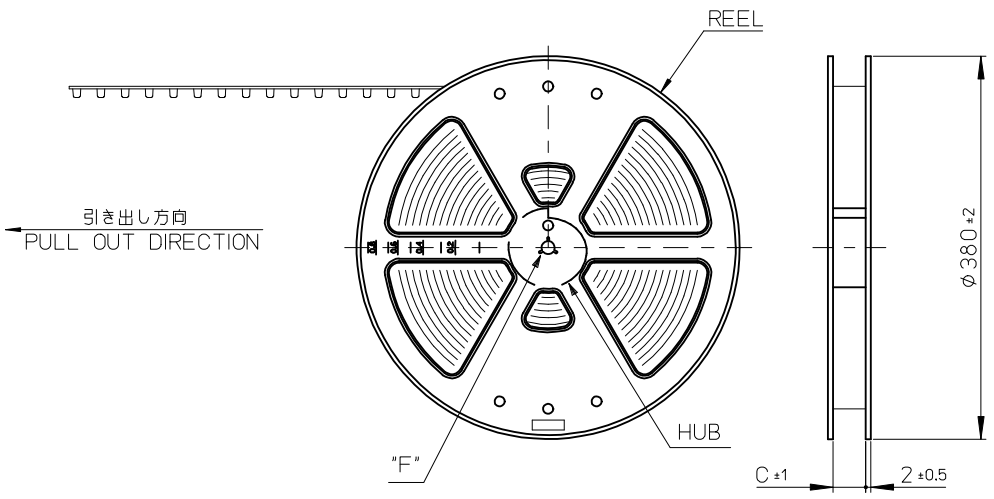


参考基板レイアウト  
P.C. BOARD PATTERN DIMENSION (REF.)

(マウント面)  
(MOUNTING SIDE)

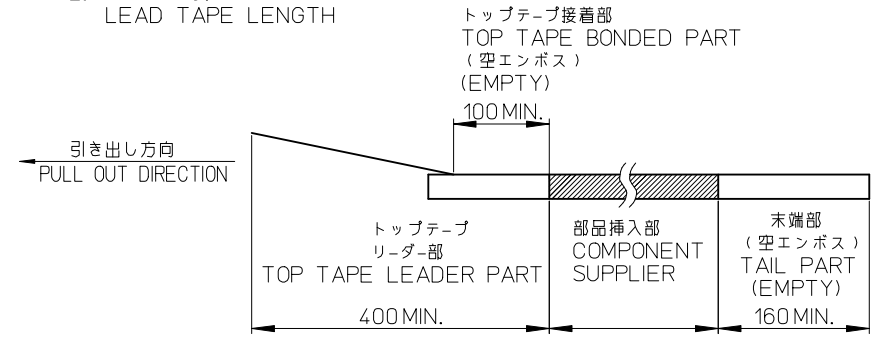
参考マスク厚 : 120µm  
REFERENCE SCREEN THICKNESS : 120µm  
参考マスク開口率 : 100%  
REFERENCE SCREEN OPEN RATIO : 100%

THIS DRAWING CONTAINS INFORMATION THAT IS PROPRIETARY TO MOLEX ELECTRONIC TECHNOLOGIES, LLC AND SHOULD NOT BE USED WITHOUT WRITTEN PERMISSION		CURRENT REV DESC:			
DIMENSION UNITS: mm		SCALE: NTS			
GENERAL TOLERANCES (UNLESS SPECIFIED)				0.5 FFC TO BOARD CONN REC HSG ASSY(ST)	
ANGULAR TOL ± 1.0°				PRODUCT CUSTOMER DRAWING	
4 PLACES ±				DOCUMENT NUMBER	
3 PLACES ±				DOC TYPE	
2 PLACES ±				DOC PART	
1 PLACE ±				REVISION	
0 PLACES ±				SD-501786-004	
DRAFT WHERE APPLICABLE MUST REMAIN WITHIN DIMENSIONS				SEE SHEET-1	
THIRD ANGLE PROJECTION		DRAWING		CUSTOMER	
SERIES		MATERIAL NUMBER		SHEET NUMBER	
A3-SIZE		501786		GENERAL MARKET	
3 OF 3		3 OF 3		3 OF 3	

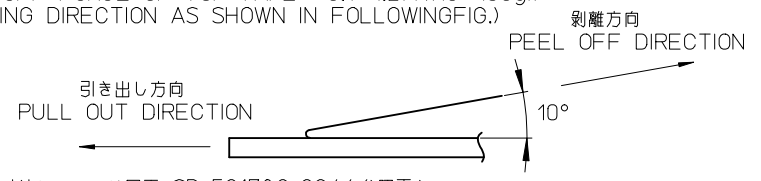


**NOTES**

- 梱包数量：900 個ノリール  
NUMBER OF CONNECTORS:900 PCS/REEL
- リードテープ長さ  
LEAD TAPE LENGTH



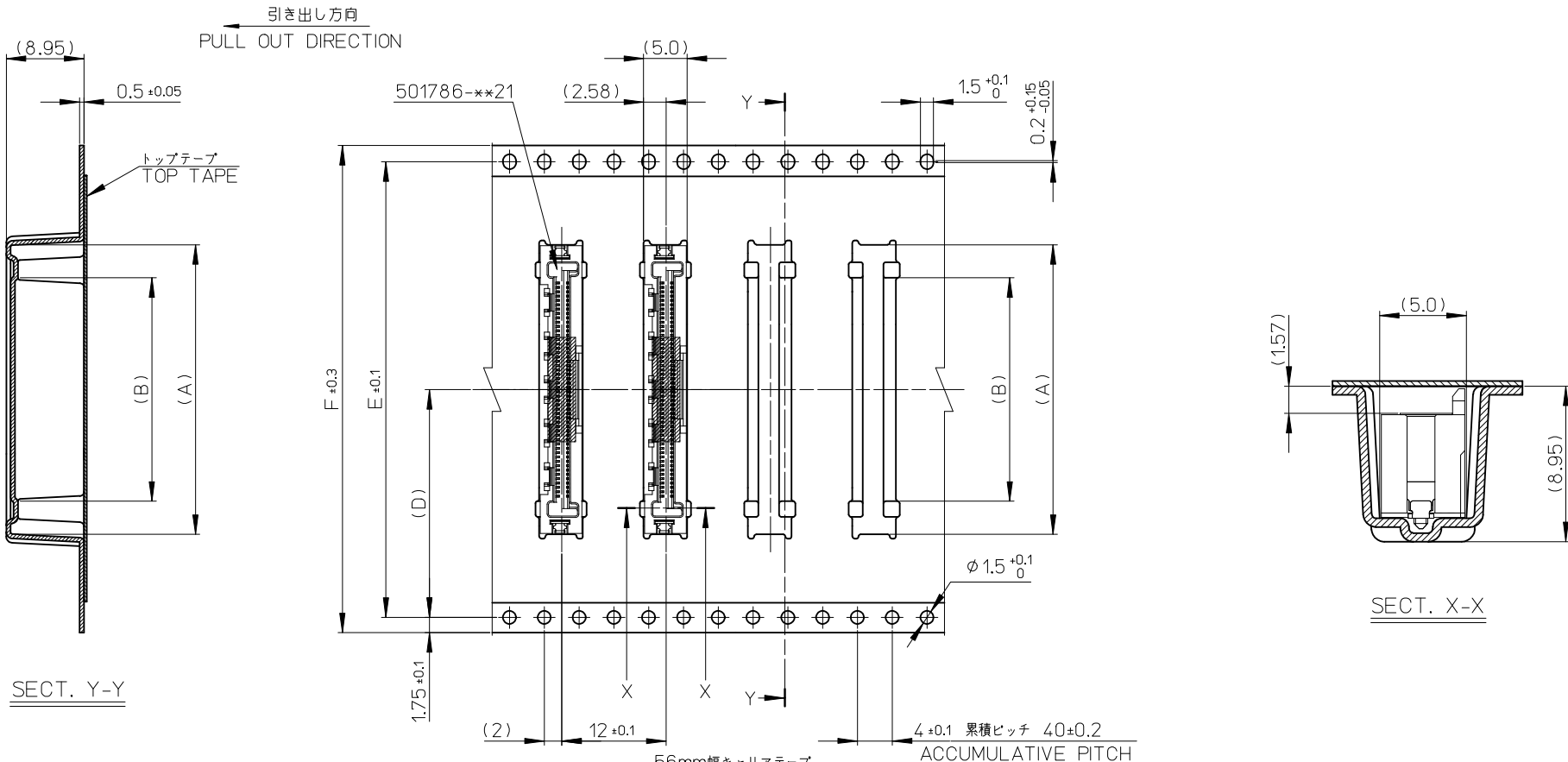
- トップテープの剥離強度：0.1~1.27N(10~130gf)  
(剥離方向は下図参照)  
剥離速度：300mm/MIN.(参考)  
PEEL-OFF FORCE OF TOP TAPE : 0.1~1.27N(10~130gf)  
(PEELING DIRECTION AS SHOWN IN FOLLOWINGFIG.)



- 製品詳細寸法については図面 SD-501786-004を参照下さい。  
RE DETAILED DIMENSION, SEE SD-501786-004.
- 材料(MATERIAL)  
キャリアテープ(CARRIER TAPE)：ポリスチレン(POLYSTYRENE)  
トップテープ(TOP TAPE)：PET, PE, PE  
リール(REEL)：ポリスチレン(POLYSTYRENE)<リサイクル材を含む>  
<RECYCLE MATERILAL CONTAINED>

501786-\*\*80 MODEL NO.

REVISED EC NO: J2013-0731 DRWN:KNAGUMO 2012/08/02 CHKD:KAKAHASHI 2012/08/03 APPR:KMORIKAWA 2013/01/07	DESCRIPTION A	GENERAL TOLERANCES (UNLESS SPECIFIED)		DIMENSION STYLE MM ONLY		SCALE ---	DESIGN UNITS METRIC	THIRD ANGLE PROJECTION		
		10 UNDER	±0.2	DRAWN BY H. IJIMA	DATE 06/01/17	TITLE EMBSTP PKG FOR 0.5 FFC TO BOARD ST TYPE				
		10 OVER 30 UNDER	±0.25	CHECKED BY K. TAKAHASHI	DATE 06/01/17					
		30 OVER	±0.3	APPROVED BY H. HIRATA	DATE 06/01/17					
ANGULAR ±3 °		DRAFT WHERE APPLICABLE MUST REMAIN WITHIN DIMENSIONS		MATERIAL NO. 501786-**80		DOCUMENT NO. SD-501786-005		SHEET NO. 1 OF 2		
THIS DRAWING CONTAINS INFORMATION THAT IS PROPRIETARY TO MOLEX INCORPORATED AND SHOULD NOT BE USED WITHOUT WRITTEN PERMISSION										



SECT. Y-Y

SECT. X-X

56	56.0	52.4	26.2	57.4	25.68	33.3	501786-5080	50
44	44.0	40.4	20.2	45.4	20.68	28.3	501786-4080	40
					15.68	23.3	501786-3080	30
キャリアテープ幅 CARRIER TAPE WIDTH	F	E	D	C	B	A	製品番号 MATERIAL NO.	極数 CKT

SEE SHEET 1 OF 2 EC NO: J2013-0731 DRWN:KNAGUMO 2012/08/02 CHKD:KAKAHASHI 2012/08/03 APPR:KMORIKAWA 2013/01/07	GENERAL TOLERANCES (UNLESS SPECIFIED)		DIMENSION STYLE MM ONLY		SCALE ---	DESIGN UNITS METRIC	THIRD ANGLE PROJECTION	
	10 UNDER	± 0.2	DRAWN BY H. IJIMA	DATE 06/01/17	TITLE EMBSTP PKG FOR 0.5 FFC TO BOARD ST TYPE			
	10 OVER 30 UNDER	± 0.25	CHECKED BY K. TAKAHASHI	DATE 06/01/17				
	30 OVER	± 0.3	APPROVED BY H. HIRATA	DATE 06/01/17				
ANGULAR	± 3 °	MATERIAL NO. 501786-**80		DOCUMENT NO. SD-501786-005	SHEET NO. 2 OF 2			
DRAFT WHERE APPLICABLE MUST REMAIN WITHIN DIMENSIONS		THIS DRAWING CONTAINS INFORMATION THAT IS PROPRIETARY TO MOLEX INCORPORATED AND SHOULD NOT BE USED WITHOUT WRITTEN PERMISSION						