

Material :

- * Body: High temperature plastic UL 94V-0, Color Nature
- * Cover: High temperature plastic UL 94V-0, Color Black
- * Contact: Phosphor Bronze
- * Fixed tab: Brass with 2.03μm(80μ") Min. Matte Tin Plated over 1.27μm(50μ") Min. Nickel

Ordering Code

CF42 ** * H 0 RA -05 -NH
 ① ② ③ ④ ⑤ ⑥ ⑦ ⑧

- ① Series No.
- ② No. of Circuits:
- ③ 1 = 2.03μm(80μ") Min. Matte Tin plated over 1.27μm(50μ") Min. Nickel
 F = 0.02μm(0.8μ") Min. Gold Flash Plating on Contact area and Solderails, 1.27μm(50μ") Min. Nickel Underplating over all
 ⚠ E = 0.25μm(10μ") Min. Gold Plating on Contact area and Solderails, 1.27μm(50μ") Min. Nickel Underplating over all
- ④ Contact style: H = Dual side contact
- ⑤ 0 = Color Nature
- ⑥ Packing: RA = Latch Type
- ⑦ -05 = 0.5 Pitch
- ⑧ -NH = For Lead Free IR Reflow Processed and Halogen Free

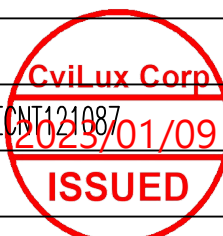
Circuits	Dimension			
	A	B	C	D
4	1.50 (.059)	5.00 (.197)	3.55 (.140)	4.42 (.174)
6	2.50 (.098)	6.00 (.236)	4.55 (.179)	5.42 (.213)
8	3.50 (.138)	7.00 (.276)	5.55 (.219)	6.42 (.253)
10	4.50 (.177)	8.00 (.315)	6.55 (.258)	7.42 (.292)
40	19.50 (.768)	23.00 (.906)	21.55 (.848)	22.42 (.883)
48	23.50 (.925)	27.00 (1.063)	25.55 (1.006)	26.42 (1.040)

Halogen-Free

Lead Free Process

RoHS Compliant

SYMBOL	DATE	REVISIONS	APPROVED BY:	DATE
⑤	Sun	1/07-23'	ECNT123001	
④	Sun	9/10-21'	ECNT121233	
③	Eric	3/30-21'	ECRT121019/ECNT121987	
②	Sun	7/03-20'	ECNT120171	



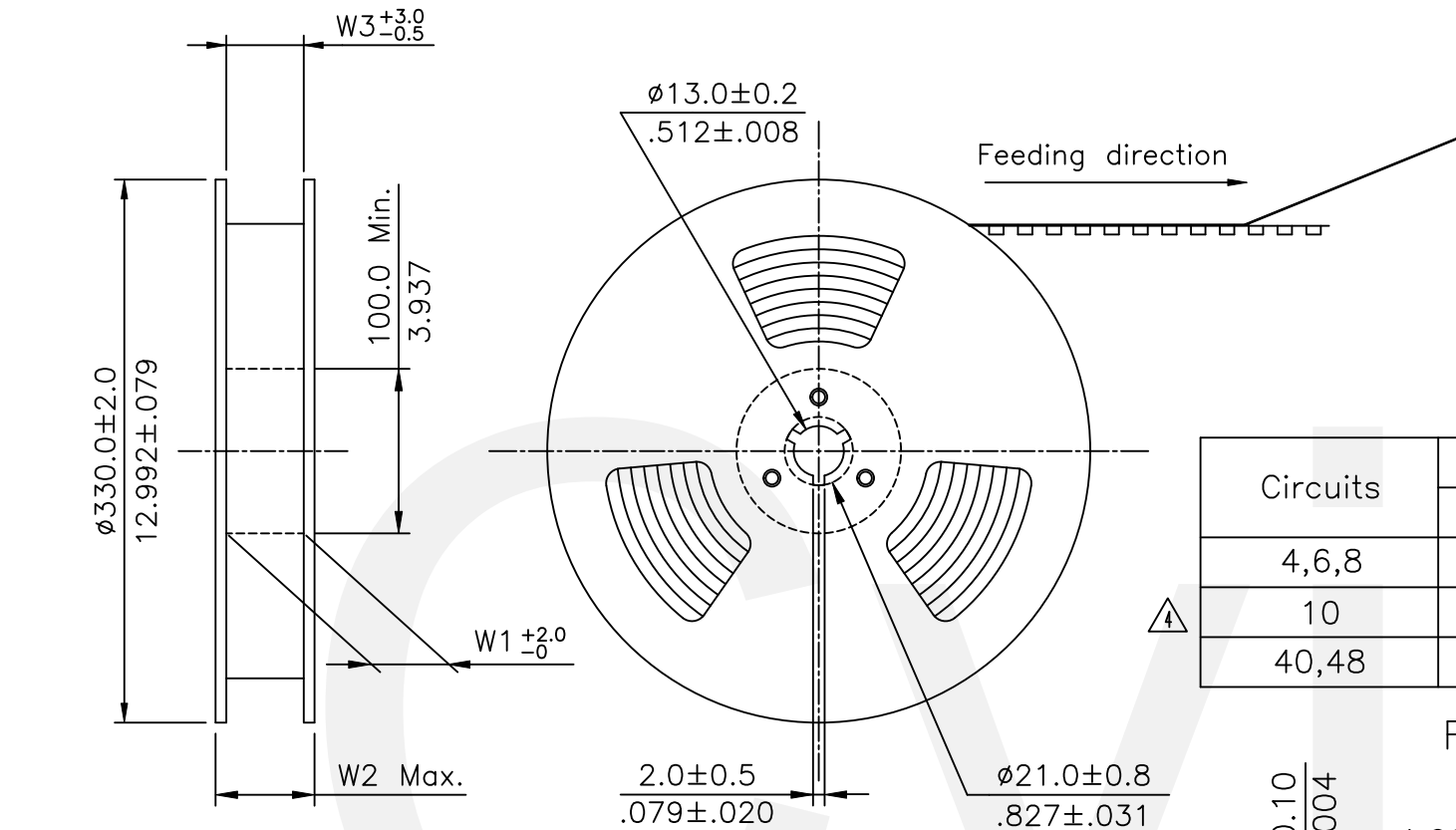
TITLE: 0.50mm(.020") ZIF FFC/FPC BACK FLIP CONNECTOR
 MATERIAL:
 FINISH:

瀚荃股份有限公司
 Cvilux Corporation

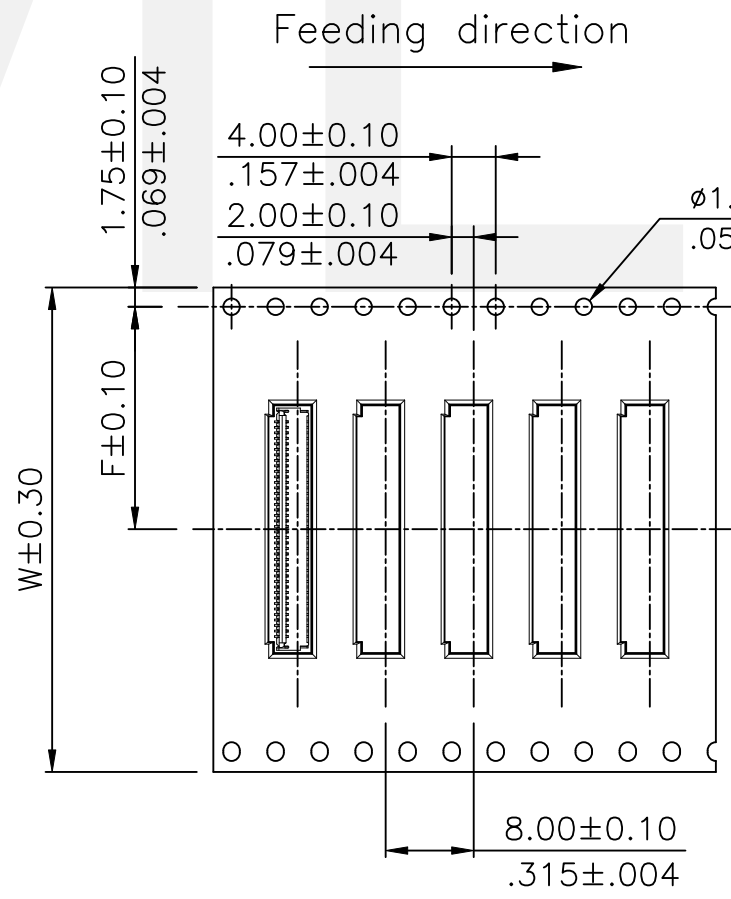
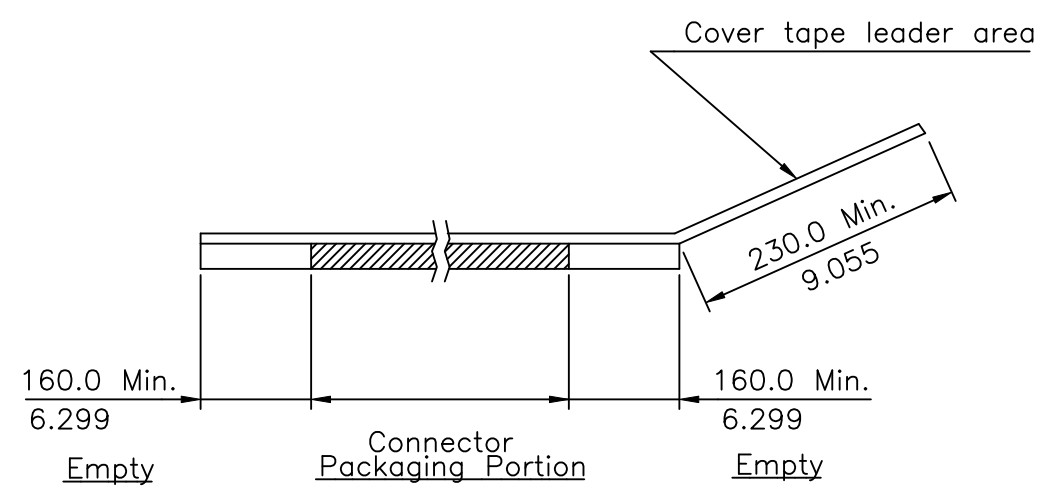
DRAWING NO.	CF4208SF	PART NO.	CF42***HORA-05-NH
SCALE	8 / 1	SHEET	1 OF 2

NOTE :

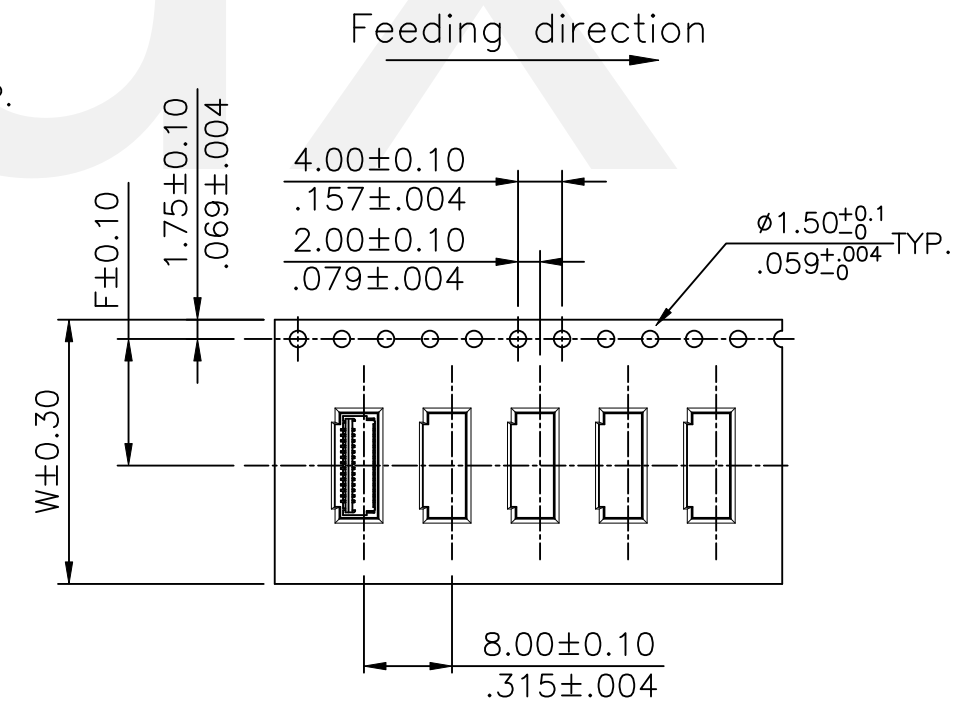
- * Reel Material : Corrugated Paper
- * Carrier Material : Clear, Conductive Polystyrene Alloy
- * Cover Tape Material : Polyester
- * Cover Tape Peel Strength : 0.1N – 1.3N
- * Carrier camber is within 1mm in 100mm
- * All dimensions meet EIA-481 requirements
- * Quantity : 3500 PCS/Reel



Circuits	Dimension					Packing (Reel/Carton)
	W	F	W1	W2	W3	
4,6,8	16.0(.630)	7.50(.295)	16.5(.650)	22.5(.885)	16.5(.650)	11
10	24.0(.945)	—	24.5(.965)	30.5(1.200)	24.5(.965)	9
40,48	44.0(1.732)	20.20(.795)	44.5(1.752)	50.5(1.988)	44.5(1.752)	5



WIDTH : 44 mm Carrier



WIDTH : 16,24 mm Carrier

RoHS Compliant

REV	DATE	DESCRIPTION	BY	DATE	UNIT	TITLE	MATERIAL	DRAWING NO.	PART NO.	SHEET
5	1/07-23'	ECNT123001	Sun	1/07-23'	mm / inch	0.50mm(.020") ZIF FFC/FPC BACK FLIP CONNECTOR				
4	9/10-21'	ECNT121233	Sun	1/07-23'	TOLERANCE UNLESS OTHERWISE SPECIFIED	FINISH:	SCALE	SHEET	2 OF 2	
3	3/30-21'	ECRT121019/ECNT121987	Eric	1/07-23'	.X ±					FINISH:
2	7/03-20'	ECNT120171	Sun	1/07-23'	.XX ±	FINISH:	SCALE	SHEET	2 OF 2	
SYM	NAME	DATE	REVISIONS	APPROVED BY:	.XXX ±					FINISH:

