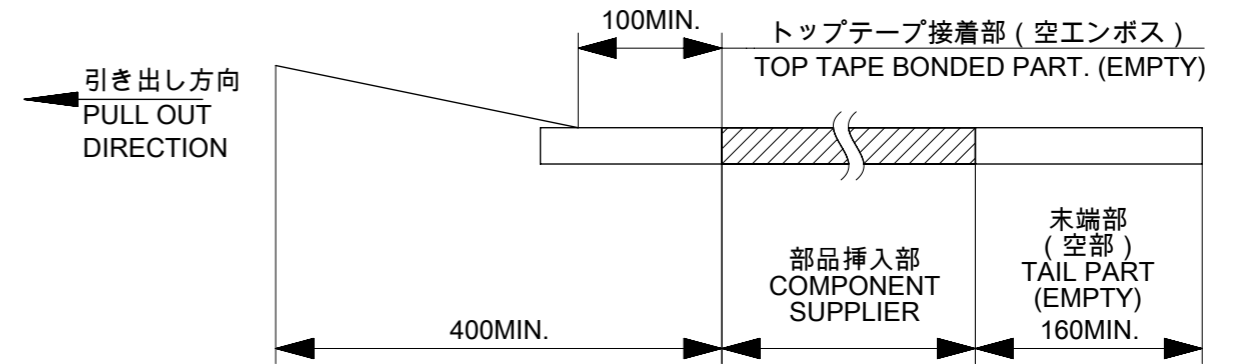


DETAIL C

注記 NOTES

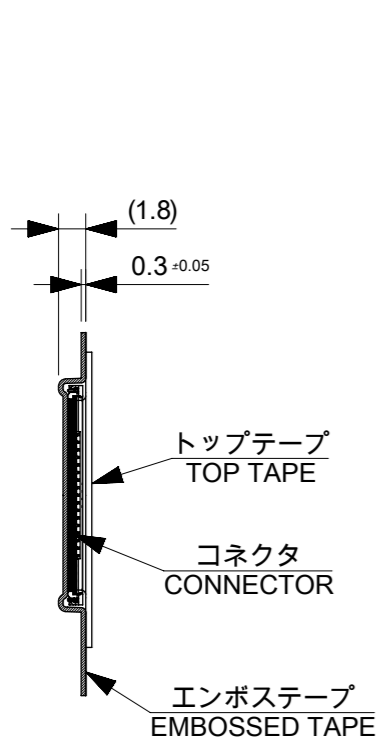
- 製品詳細寸法については製品単体図面を参照下さい。  
DETAIL DIMENSION, SEE PRODUCT DRAWING
- 梱包数量 : 6000 個 / リール  
NUMBER OF CONNECTORS : 6000 PCS/REEL
- リードテープ長さ LEAD TAPE LENGTH



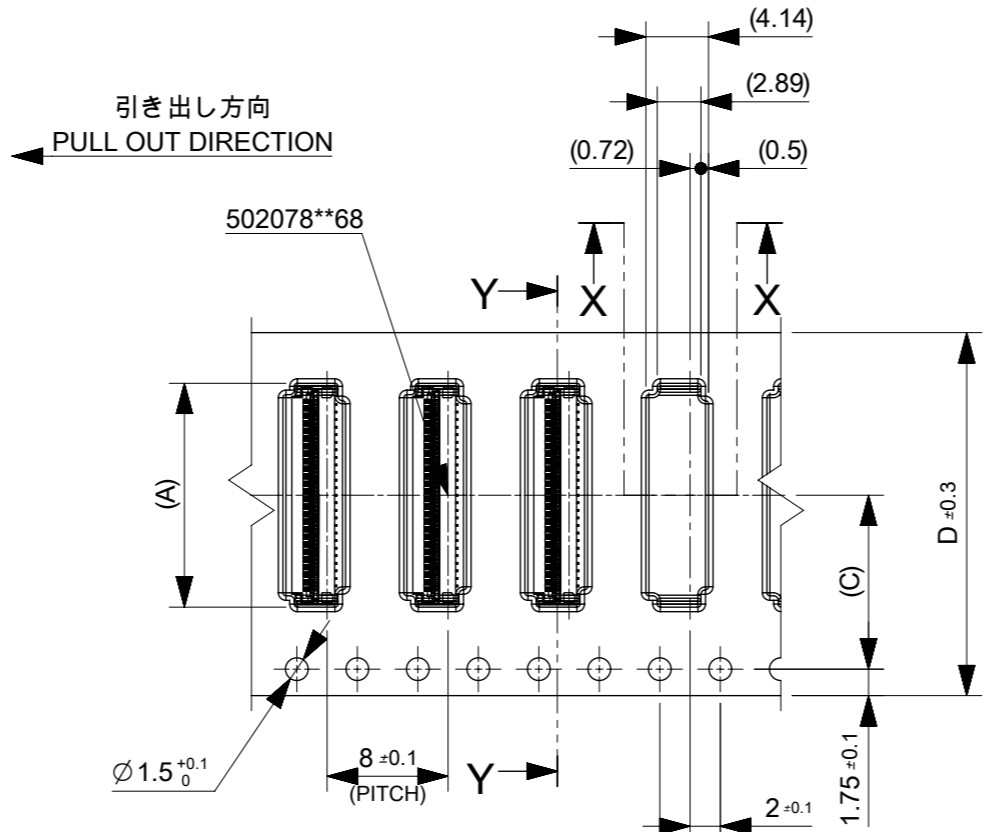
- 材料 MATERIAL  
 キャリアテープ (CARRIER TAPE) : ポリスチレン (POLYSTYRENE)  
 トップテープ (TOP TAPE) : PET, PE, PEF  
 リール (REEL) : ポリスチレン (PS) <リサイクル材を含む>  
 POLYSTYRENE (PS) <RECYCLE MATERIAL CONTAINED>
- カバーテープの剥離強度については、IEC60286-3 に準拠  
 COVER TAPE PEEL FORCE IS DEFINED BY IEC 60286-3.

CONNECTOR SERIES NO. 502078\*\*68

THIS DRAWING CONTAINS INFORMATION THAT IS PROPRIETARY TO MOLEX ELECTRONIC TECHNOLOGIES, LLC AND SHOULD NOT BE USED WITHOUT WRITTEN PERMISSION											
EC NO: 112453 DRWN: RYANAIDANI CHK'D: KTAKAHASHI APPR: MSASAO	2016/11/24 2017/01/27 2017/01/27	GENERAL TOLERANCES (UNLESS SPECIFIED)		DIMENSION UNITS	SCALE						
		ANGULAR TOL ± °		MM	1:1						
		4 PLACES ±		DRWN BY	DATE	0.25MM PITCH FPC CONN HGT = 1.0 HSG ASSY EMBOSSED TAPE PACKAGE					
		3 PLACES ±		RYANAIDANI	2016/11/24						
		2 PLACES ±		CHK'D BY	DATE	PRODUCT CUSTOMER DRAWING					
		1 PLACE ±		KTAKAHASHI	2017/01/27						
0 PLACES ±		APPR BY	DATE	SERIES	MATERIAL NUMBER	CUSTOMER					
DRAFT WHERE APPLICABLE MUST REMAIN WITHIN DIMENSIONS		DRAWING SIZE		THIRD ANGLE PROJECTION		502078	SEE CHART	GENERAL			
		A3				DOCUMENT NUMBER		DOC TYPE	DOC PART	SHEET NUMBER	
						5020780001		PSD	000	1 OF 3	

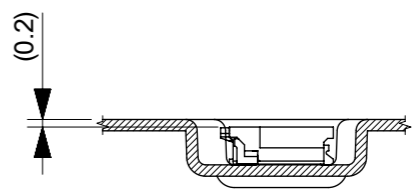


SECTION Y-Y



16,24mm 幅キャリアテープ  
16,24mm WIDTH CARRIER TAPE

累積ピッチ 40±0.2  
ACUMLATIVE PITCH 40±0.2



SECTION X-X

24	11.5	25.4	15.3	5020785362	53
			14.8	5020785162	51
			13.3	5020784562	45
			11.8	5020783962	39
			11.3	5020783762	37
			10.3	5020783362	33
			8.3	5020782562	25
16	7.5	17.4	6.3	5020781762	17
			5.3	5020781362	13
D キャリアテープ幅 CARRIER TAPE WIDTH	C	B	(A)	オーダー番号 ORDER NO.	極数 CIRCUITS
				CONNECTOR SERIES NO.	502078**68

THIS DRAWING CONTAINS INFORMATION THAT IS PROPRIETARY TO MOLEX ELECTRONIC TECHNOLOGIES, LLC AND SHOULD NOT BE USED WITHOUT WRITTEN PERMISSION

EC NO: 112453 DRWN: RYANAIDANI CHK'D: KTAKAHASHI APPR: MSASAO REV: A	2016/11/24 2017/01/27 2017/01/27	GENERAL TOLERANCES (UNLESS SPECIFIED) ANGULAR TOL ± ° 4 PLACES ± 3 PLACES ± 2 PLACES ± 1 PLACE ± 0 PLACES ±	DIMENSION UNITS: MM SCALE: 1:1		
	DRWN BY: RYANAIDANI DATE: 2016/11/24	CHK'D BY: KTAKAHASHI DATE: 2017/01/27	APPR BY: MSASAO DATE: 2017/01/27		0.25MM PITCH FPC CONN HGT = 1.0 HSG ASSY EMBOSSED TAPE PACKAGE
	DRAFT WHERE APPLICABLE MUST REMAIN WITHIN DIMENSIONS				
	PRODUCT CUSTOMER DRAWING				SERIES: 502078 MATERIAL NUMBER: SEE CHART CUSTOMER: GENERAL
	DOCUMENT NUMBER: 5020780001		DOC TYPE: PSD DOC PART: 000		SHEET NUMBER: 2 OF 3

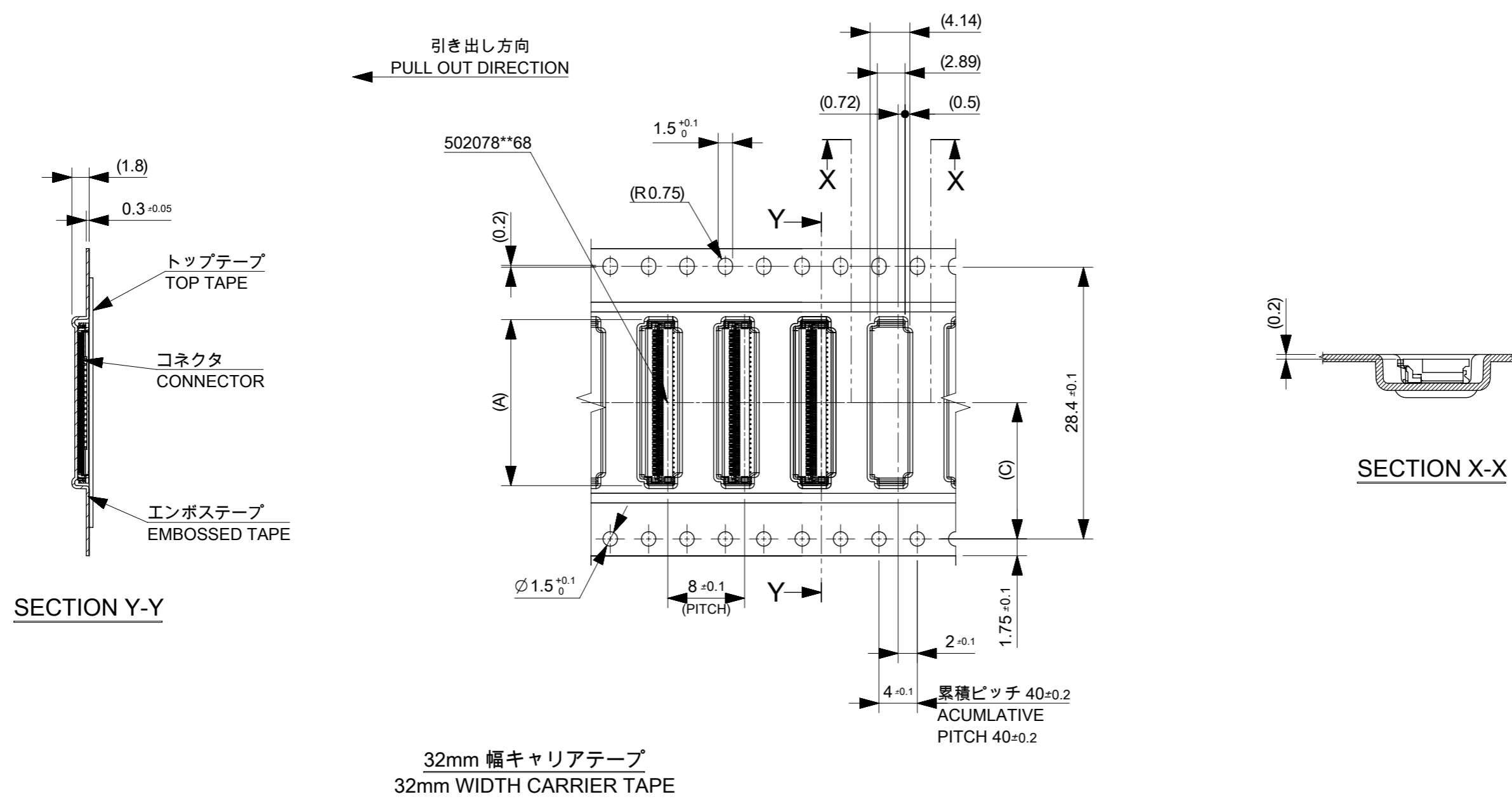
E

D

C

B

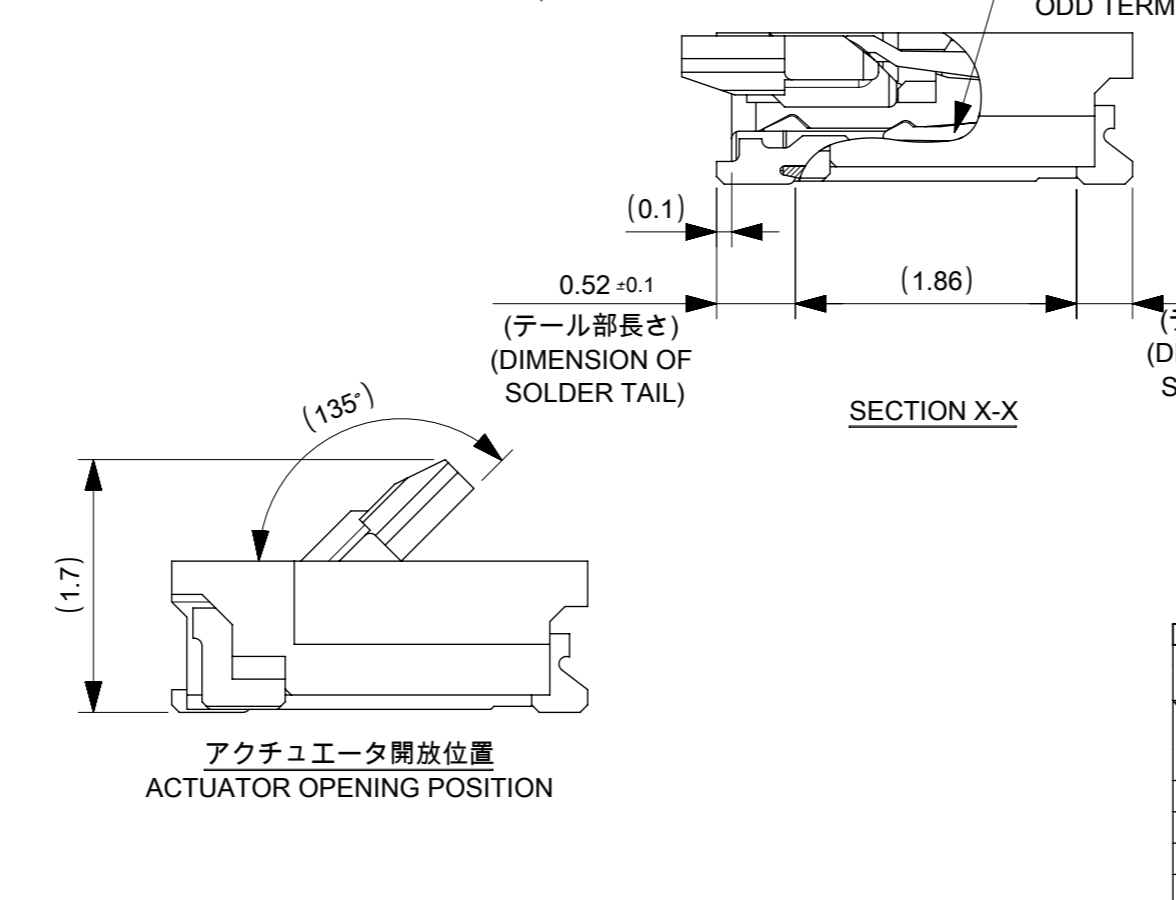
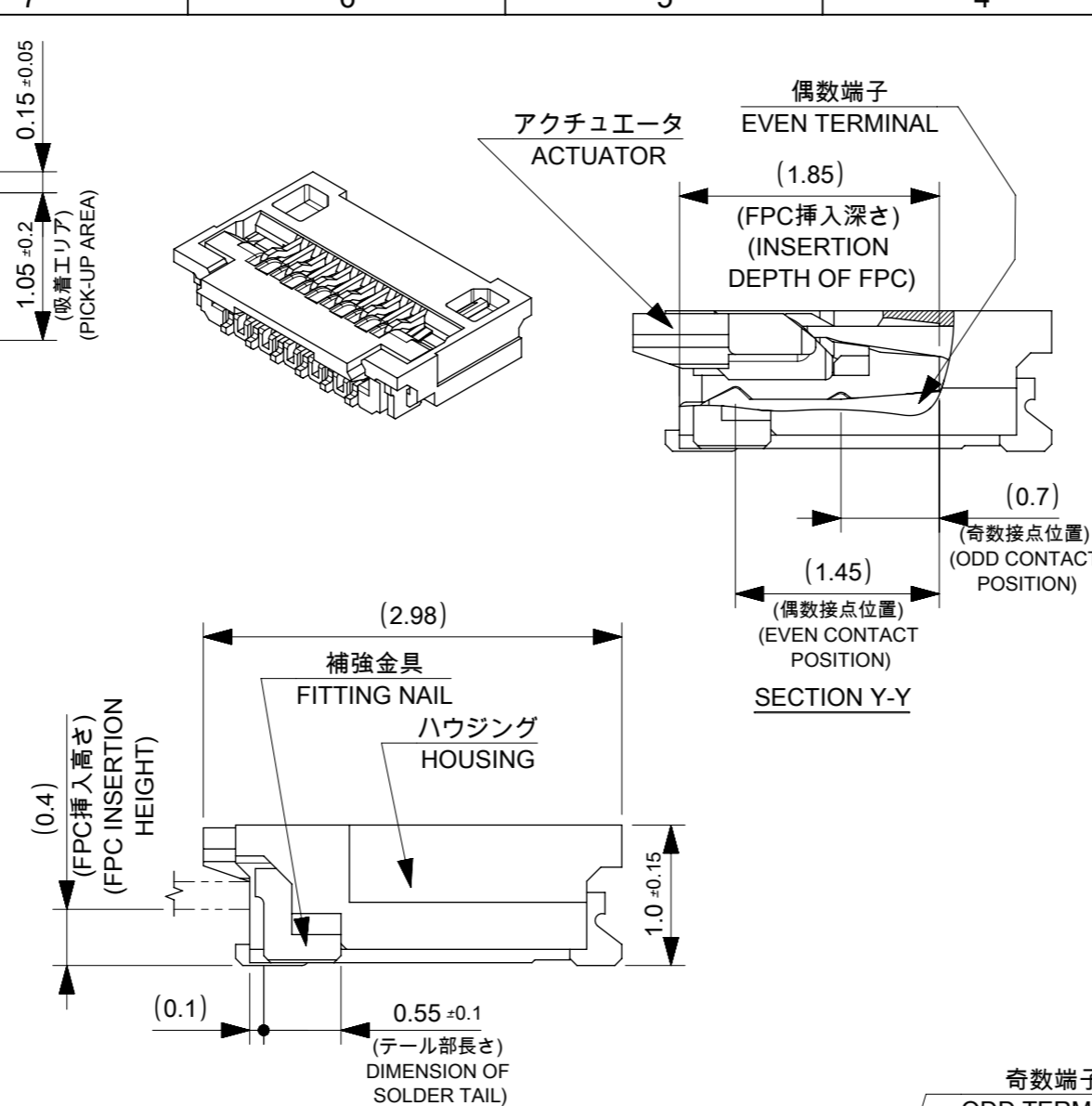
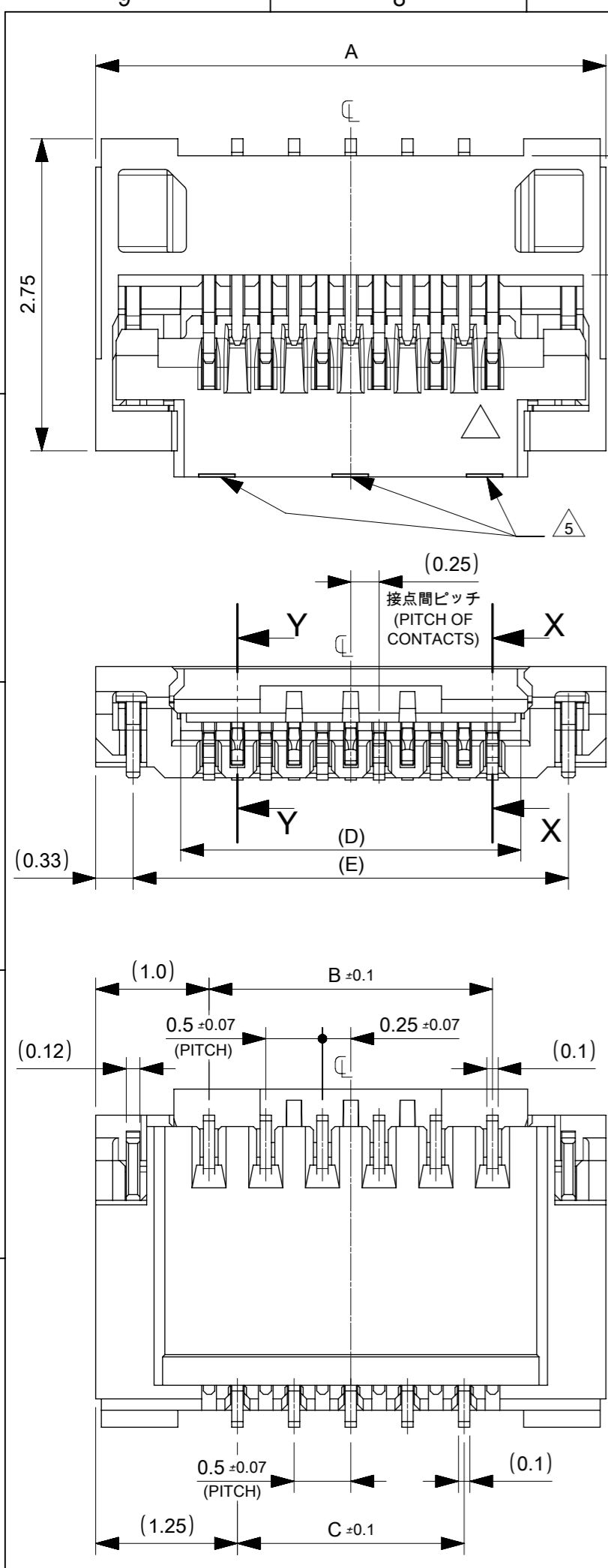
A



14.2	33.4	17.3	5020786162	61
C	B	(A)	オーダー番号 ORDER NO.	極数 CIRCUITS
			CONNECTOR SERIES NO.	502078**68

THIS DRAWING CONTAINS INFORMATION THAT IS PROPRIETARY TO MOLEX ELECTRONIC TECHNOLOGIES, LLC AND SHOULD NOT BE USED WITHOUT WRITTEN PERMISSION

EC NO: 112453 DRWN: RYANAIDANI CHK'D: KTAKAHASHI APPR: MSASAO	2016/11/24	GENERAL TOLERANCES (UNLESS SPECIFIED)	DIMENSION UNITS	SCALE		
	2017/01/27	ANGULAR TOL ±	MM	1:1		
	2017/01/27	4 PLACES ±	DRWN BY	DATE		0.25MM PITCH FPC CONN HGT =1.0 HSG ASSY EMBOSSSED TAPE PACKAGE
		3 PLACES ±	RYANAIDANI	2016/11/24		PRODUCT CUSTOMER DRAWING
		2 PLACES ±	KTAKAHASHI	2017/01/27		SERIES MATERIAL NUMBER CUSTOMER
	1 PLACE ±	MSASAO	2017/01/27	502078 SEE CHART GENERAL		
	0 PLACES ±		DRAWING SIZE	THIRD ANGLE PROJECTION	DOCUMENT NUMBER DOC TYPE DOC PART SHEET NUMBER	
			A3		5020780001 PSD 000 3 OF 3	



注記 NOTES

1. 使用材料 MATERIALS  
 ハウジング : 液晶ポリマー (UL94V-0、ベージュ)  
 アクチュエータ : ポリアミド (UL94HB、黒色)  
 端子 : リン青銅  
 補強金具 : リン青銅  
 HOUSING : LCP (BEIGE)  
 ACTUATOR : PA (BLACK)  
 TERMINAL : PHOSPHOR BRONZE  
 FITTING NAIL : PHOSPHOR BRONZE
2. メッキ仕様 PLATING  
 端子 TERMINAL  
 接点部 : 金メッキ 0.1 μm 以上  
 テール部 : 金メッキ  
 下地 : ニッケルメッキ 1.0 μm 以上  
 CONTACT AREA : Gold PLATING 0.1 μm MINIMUM  
 TAIL AREA : Gold PLATING  
 UNDER PLATING : Nickel PLATING 1.0 μm MINIMUM  
 金具 FITTING NAIL  
 表面 : スズメッキ 1.0 μm 以上  
 下地 : ニッケルメッキ 1.0 μm 以上  
 ALL OVER : Tin PLATING 1.0 μm MINIMUM  
 UNDER PLATING : Nickel PLATING 1.0 μm MINIMUM
3. 端子、補強金具のコプラナリティーは0.1以下とする  
 COPLANALITY OF SOLDER TAILS AND FITTING NAILS : 0.1 MAX.
4. 一般公差 : ± 0.3  
 GENERAL TOLERANCES : ± 0.3
5. アクチュエータの図示箇所にゲート逃げの凹みがあります (極数により、レイアウトが異なります)  
 THERE ARE DENT SHAPES AT ACTUATOR FOR MOLDING GATE (LAYOUT DIFFER ACCORDING TO CIRCUIT NUMBER)
6. ELV & RoHS 適合品  
 ELV & RoHS COMPLIANT
7. 塩素系・臭素系難燃剤非使用  
 CHLORINATED AND BROMINATED FLAME RETARDANTS FREE

16.34	15.5	14.5	15	17	5020786162	5020786168	61
14.34	13.5	12.5	13	15	5020785362	5020785368	53
13.84	13	12	12.5	14.5	5020785162	5020785168	51
12.34	11.5	10.5	11	13	5020784562	5020784568	45
10.84	10	9	9.5	11.5	5020783962	5020783968	39
10.34	9.5	8.5	9	11	5020783762	5020783768	37
9.34	8.5	7.5	8	10	5020783362	5020783368	33
7.34	6.5	5.5	6	8	5020782562	5020782568	25
6.34	5.5	4.5	5	7	5020782162	5020782168	21
5.34	4.5	3.5	4	6	5020781762	5020781768	17
4.34	3.5	2.5	3	5	5020781362	5020781368	13
E	D	C	B	A	ORDER No.	MATERIAL No.	CIRCUIT =N

CONNECTOR SERIES No. 502078\*\*68

THIS DRAWING CONTAINS INFORMATION THAT IS PROPRIETARY TO MOLEX ELECTRONIC TECHNOLOGIES, LLC AND SHOULD NOT BE USED WITHOUT WRITTEN PERMISSION

DIMENSION UNITS: mm SCALE: 20:1 CURRENT REV DESC: REVISED

GENERAL TOLERANCES (UNLESS SPECIFIED):

ANGULAR TOL	±	°
4 PLACES	±	
3 PLACES	±	
2 PLACES	±	
1 PLACE	±	
0 PLACES	±	

EC NO: 171125  
 DRWN: MTAKAHASHI04 2018/01/19  
 CHK'D: KTAKAHASHI 2018/01/23  
 APPR: NUKITA 2018/01/23

INITIAL REVISION:  
 DRWN: RYANAIDANI 2016/11/24  
 APPR: MSASAO 2017/01/27

THIRD ANGLE PROJECTION

DRAFT WHERE APPLICABLE MUST REMAIN WITHIN DIMENSIONS

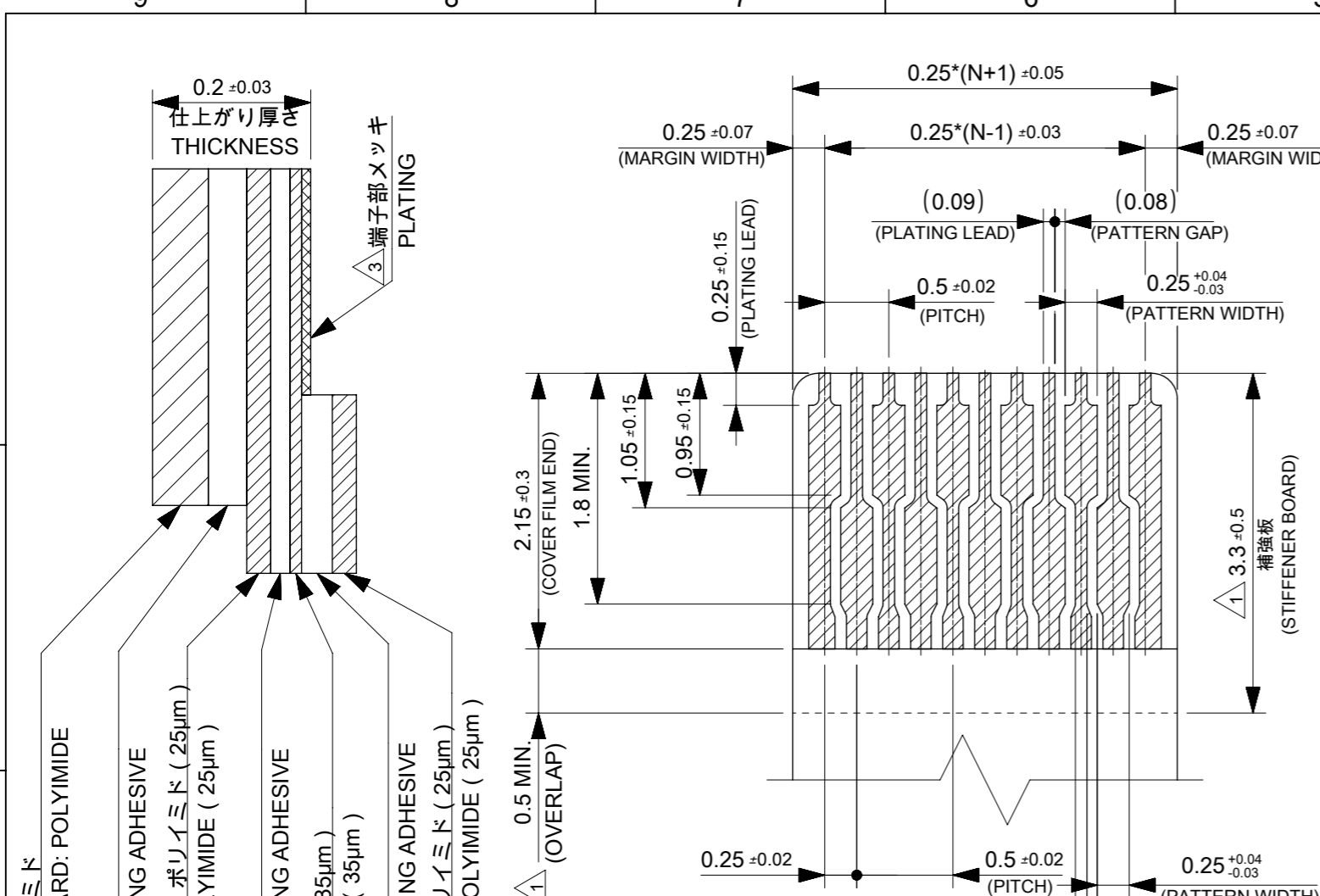
DRAWING: A3-SIZE SERIES: 502078 MATERIAL NUMBER: SEE CHART CUSTOMER: GENERAL SHEET NUMBER: 1 OF 2

**molex**

0.25 PITCH FPC CONN E/O HGT=1.0 BTM CONTACT TYPE

PRODUCT CUSTOMER DRAWING

DOCUMENT NUMBER: 5020781001 DOC TYPE: PSD DOC PART: 000 REVISION: B



補強板：ポリイミド  
STIFFENER BOARD: POLYIMIDE  
熱硬化接着剤  
THERMOSETTING ADHESIVE  
ベースフィルム：ポリイミド (25µm)  
BASE FILM: POLYIMIDE (25µm)  
熱硬化接着剤  
THERMOSETTING ADHESIVE  
導体部：銅箔 (35µm)  
COPPER FOIL (35µm)  
熱硬化接着剤  
THERMOSETTING ADHESIVE  
カバーレイ：ポリイミド (25µm)  
COVER FILM: POLYIMIDE (25µm)

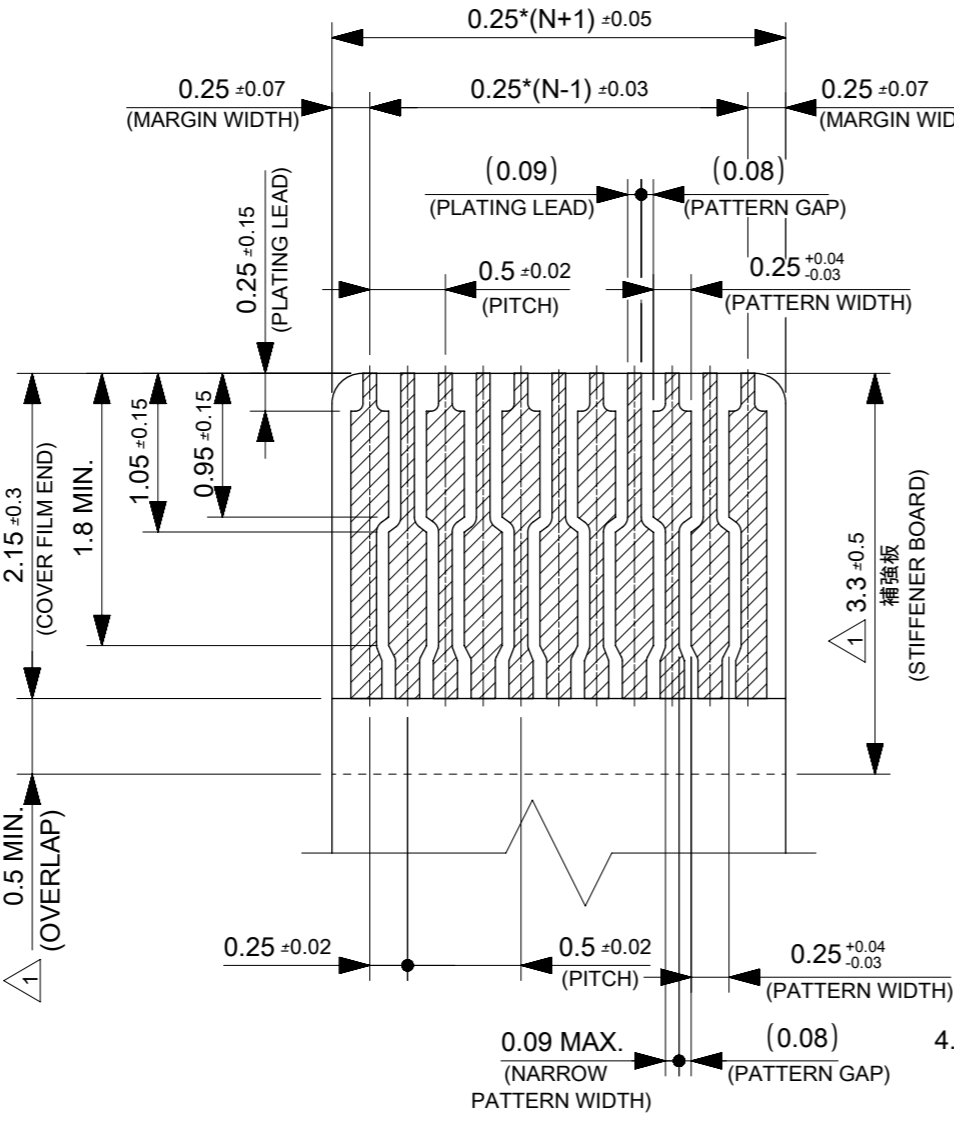
FPC 構成材料例  
EXAMPLE OF FPC  
COMPOSITION MATERIAL

注記 NOTES

1. 補強板長さが図面通り確保できない場合は、カバーレイと補強板のオーバーラップ寸法を 0.5mm 以上としてください  
WHEN STIFFENER BOARD DIMENSION CAN NOT SECURE AS DRAWING, PLEASE GIVE THE OVERLAP SIZE OF COVER FILM AND STIFFENER BOARD AS 0.5mm MINIMUM

2. 推奨ペースト厚：100µm  
推奨マスク開口率：80%  
RECOMMEND SCREEN THICKNESS : 100µm  
RECOMMEND SCREEN OPEN RATIO : 80%

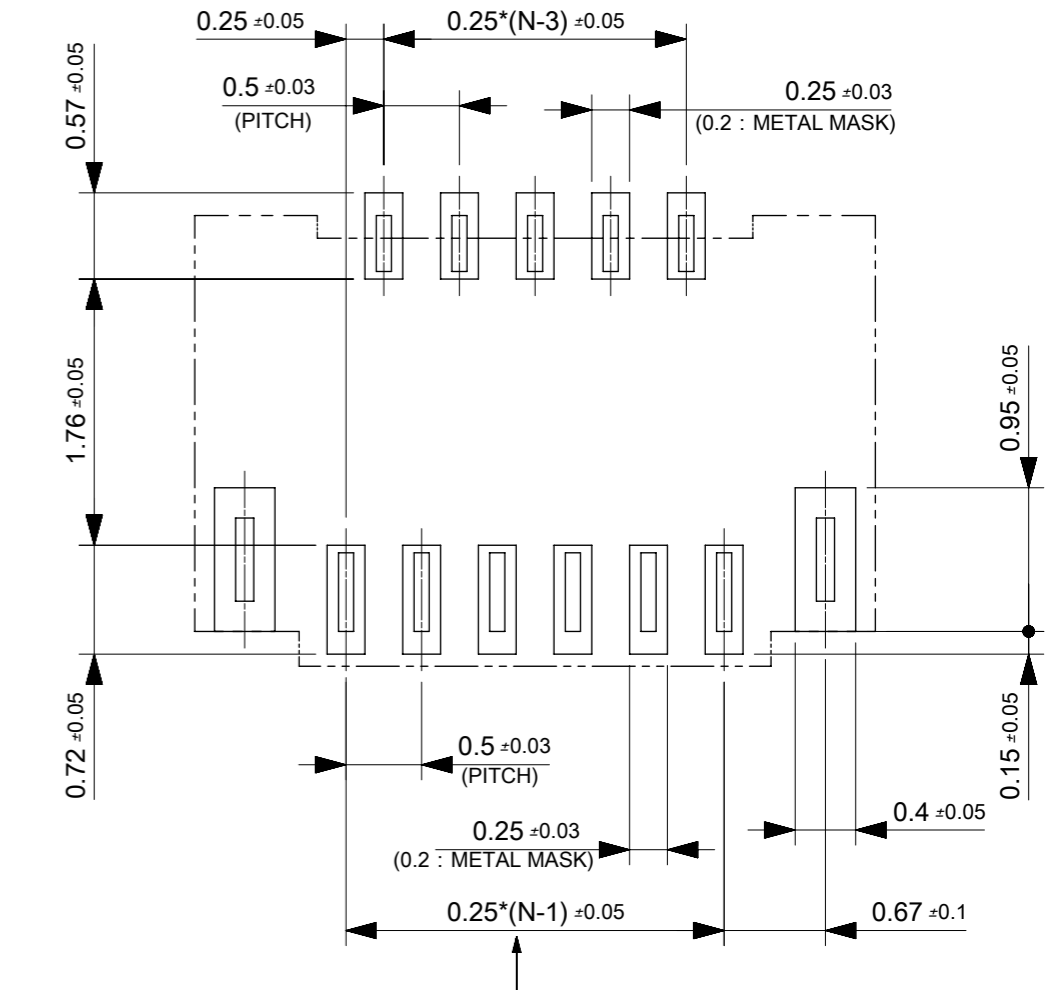
3. FPCパターンのメッキ仕様は  
金メッキ：0.1µm 以上  
下地ニッケルメッキ：2~6µm  
FPC PATTERN PLATING  
GOLD PLATING : 0.1µm MINIMUM  
NICKEL UNDER PLATING : 2~6µm



適合するFPC推奨寸法  
APPLICABLE FPC  
RECOMMENDED DIMENSION  
(端子部仕上がり厚さ：0.2±0.03)  
(THICKNESS: 0.2±0.03)

4. FPCについて (ABOUT FPC)  
抜き方向は、導体側から補強板側を推奨します  
補強板材質は、ポリイミドを推奨します  
接着剤は熱硬化接着剤を推奨します  
なお、接着剤の接点部への付着は導通不良の原因となりますので染み出しがないよう、お願いします。  
FPCに規定された定格温度が FPC 単体前提である場合が御座います。  
コネクタと組み合わせての実使用に置いて、接着層が劣化するなどの信頼性を満足できないケースを回避するため、実機での評価/確認をお願い致します。

RECOMMENDED PUNCHER DIRECTION: FROM CONDUCTOR SIDE TO STIFFENER BOARD SIDE  
RECOMMENDED MATERIAL: STIFFENER BOARD: POLYIMIDE  
BONDING AGENT: THERMOSETTING AGENT  
PLEASE PUT APPROPRIATE AMOUNT OF ADHESIVE ON THE CONTACT AREA BECAUSE THE EXTRA ADHESIVE MAY CAUSE THE DEFECT IN ELECTRICAL CONTINUITY.  
NOTE: WHEN ACTUALLY USING IT WITH CONNECTOR, PLEASE DO THE EVALUATION AND THE CONFIRMATION WITH AN ACTUAL EQUIPMENT TO EVADE THE CASE WHERE RELIABILITY CANNOT BE FILLED (THE ADHESIVE LINE OF FPC IS DETERIORATED ETC.)



FPC挿入側  
FPC INSERTION SIDE  
参考基板レイアウト  
RECOMMENDED PCB  
PATTERN DIMENSIONS (REF.)

THIS DRAWING CONTAINS INFORMATION THAT IS PROPRIETARY TO MOLEX ELECTRONIC TECHNOLOGIES, LLC AND SHOULD NOT BE USED WITHOUT WRITTEN PERMISSION		CURRENT REV DESC: REVISED		<b>molex</b>	
DIMENSION UNITS	SCALE				
mm	20:1			0.25 PITCH FPC CONN E/O HGT=1.0 BTM CONTACT TYPE	
GENERAL TOLERANCES (UNLESS SPECIFIED)				PRODUCT CUSTOMER DRAWING	
ANGULAR TOL	±			DOCUMENT NUMBER	
4 PLACES	±			5020781001	
3 PLACES	±			DOC TYPE	DOC PART
2 PLACES	±			PSD	000
1 PLACE	±			REVISION	
0 PLACES	±			B	
DRAFT WHERE APPLICABLE MUST REMAIN WITHIN DIMENSIONS		THIRD ANGLE PROJECTION	DRAWING	SERIES	MATERIAL NUMBER
			A3-SIZE	502078	SEE SHEET 1
		CUSTOMER		SHEET NUMBER	
		GENERAL		2 OF 2	