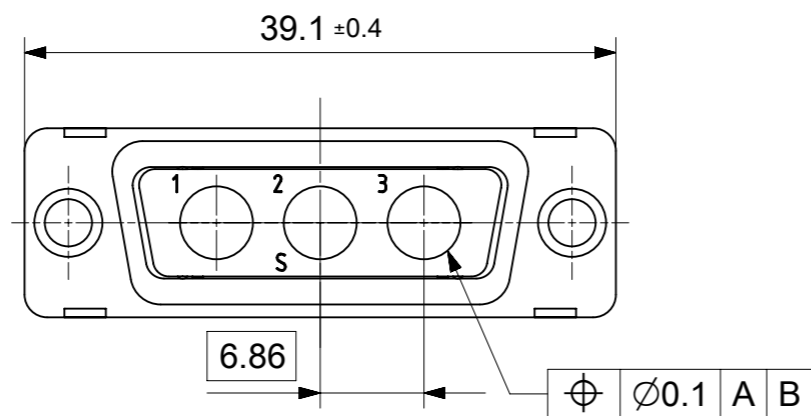
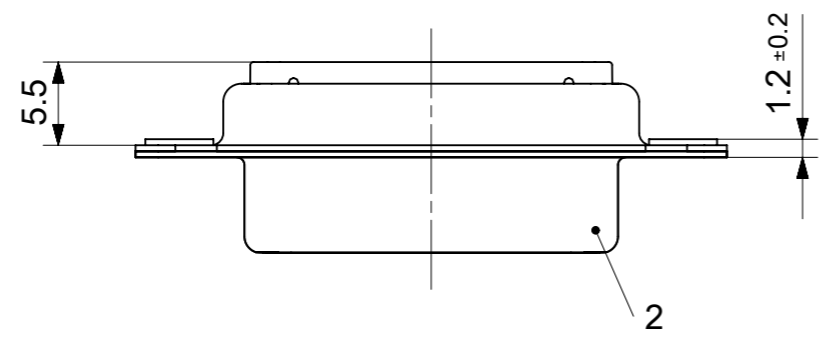
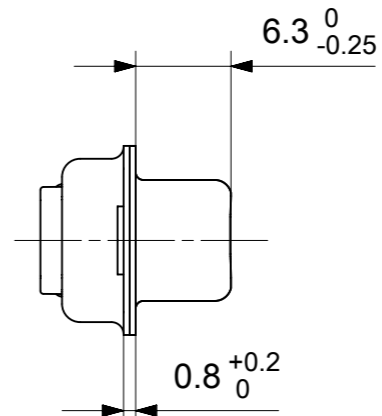
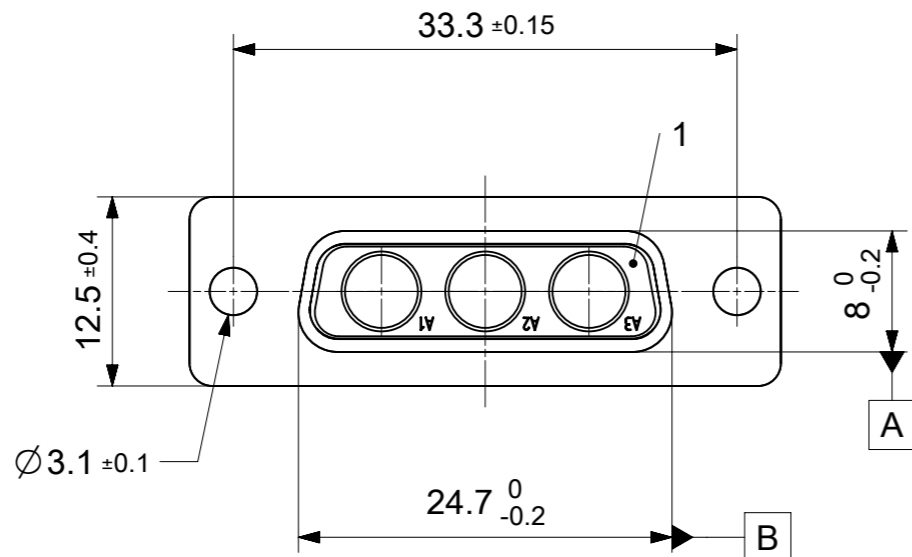


RoHS compliant



Permeability is tested for the whole connector. Permeability less than 1.0025

2	1	Shell	Brass (nonmagnetic)	tin plated
1	1	Insulator	PBT (-55°C to +130°C) acc. UL94V-0	green
No.	Pc.	Part	Type Description/Material	Surface plating/Color/Class

MEASUREMENTS WITHOUT TOLERANCE ACC TO ISO 2768-m REPLACEMENT FOR DOCUMENT NUMBER: FM3W3S-3343

FUNCTIONAL SYMBOLS	THIS DRAWING CONTAINS INFORMATION THAT IS PROPRIETARY TO MOLEX ELECTRONIC TECHNOLOGIES, LLC AND SHOULD NOT BE USED WITHOUT WRITTEN PERMISSION	<p style="text-align: center;">molex</p> <p>FCT NONMAGNETIC D-SUB MIXED-LAYOUT CONN. FCT PART NUMBER: FM3W3S-3343</p> <p style="text-align: center;">PRODUCT CUSTOMER DRAWING</p>																																																				
	<table border="1"> <tr> <th>FUNCTIONAL SYMBOLS</th> <th>DIMENSION UNITS</th> <th>SCALE</th> <th>CURRENT REV DESC:</th> </tr> <tr> <td>∇A = 0</td> <td>mm</td> <td>2:1</td> <td rowspan="4"> EC NO: 727306 DRWN: MSTEINBRUECK 2022/11/07 CHK'D: MTEUBEL 2022/11/08 APPR: MTEUBEL 2022/11/08 </td> </tr> <tr> <td colspan="3">GENERAL TOLERANCES (UNLESS SPECIFIED)</td> </tr> <tr> <td>∇E = 0</td> <td colspan="2">ANGULAR TOL ± °</td> </tr> <tr> <td>∇F = 0</td> <td colspan="2">4 PLACES ±</td> </tr> <tr> <td rowspan="4">DIVISIONAL SYMBOLS</td> <td colspan="3">INITIAL REVISION:</td> </tr> <tr> <td>3 PLACES ±</td> <td>DRWN: SUGEEB 2022/05/24</td> <td>DOCUMENT NUMBER</td> </tr> <tr> <td>2 PLACES ±</td> <td>APPR: MTEUBEL 2022/09/30</td> <td>1731140236</td> </tr> <tr> <td>1 PLACE ±</td> <td></td> <td>DOC TYPE</td> </tr> <tr> <td>0 PLACES ±</td> <td></td> <td></td> <td>PSD</td> </tr> <tr> <td colspan="2">DRAFT WHERE APPLICABLE MUST REMAIN WITHIN DIMENSIONS</td> <td>FIRST ANGLE PROJECTION</td> <td>DRAWING</td> <td>SERIES</td> <td>MATERIAL NUMBER</td> <td>CUSTOMER</td> <td>SHEET NUMBER</td> </tr> <tr> <td colspan="2"></td> <td></td> <td>A3-SIZE</td> <td>173114</td> <td>1731140236</td> <td>GENERAL MARKET</td> <td>1 OF 1</td> </tr> </table>				FUNCTIONAL SYMBOLS	DIMENSION UNITS	SCALE	CURRENT REV DESC:	∇A = 0	mm	2:1	EC NO: 727306 DRWN: MSTEINBRUECK 2022/11/07 CHK'D: MTEUBEL 2022/11/08 APPR: MTEUBEL 2022/11/08	GENERAL TOLERANCES (UNLESS SPECIFIED)			∇E = 0	ANGULAR TOL ± °		∇F = 0	4 PLACES ±		DIVISIONAL SYMBOLS	INITIAL REVISION:			3 PLACES ±	DRWN: SUGEEB 2022/05/24	DOCUMENT NUMBER	2 PLACES ±	APPR: MTEUBEL 2022/09/30	1731140236	1 PLACE ±		DOC TYPE	0 PLACES ±			PSD	DRAFT WHERE APPLICABLE MUST REMAIN WITHIN DIMENSIONS		FIRST ANGLE PROJECTION	DRAWING	SERIES	MATERIAL NUMBER	CUSTOMER	SHEET NUMBER				A3-SIZE	173114	1731140236	GENERAL MARKET	1 OF 1
	FUNCTIONAL SYMBOLS				DIMENSION UNITS	SCALE	CURRENT REV DESC:																																															
	∇A = 0				mm	2:1	EC NO: 727306 DRWN: MSTEINBRUECK 2022/11/07 CHK'D: MTEUBEL 2022/11/08 APPR: MTEUBEL 2022/11/08																																															
GENERAL TOLERANCES (UNLESS SPECIFIED)																																																						
∇E = 0	ANGULAR TOL ± °																																																					
∇F = 0	4 PLACES ±																																																					
DIVISIONAL SYMBOLS	INITIAL REVISION:																																																					
	3 PLACES ±	DRWN: SUGEEB 2022/05/24	DOCUMENT NUMBER																																																			
	2 PLACES ±	APPR: MTEUBEL 2022/09/30	1731140236																																																			
	1 PLACE ±		DOC TYPE																																																			
0 PLACES ±			PSD																																																			
DRAFT WHERE APPLICABLE MUST REMAIN WITHIN DIMENSIONS		FIRST ANGLE PROJECTION	DRAWING	SERIES	MATERIAL NUMBER	CUSTOMER	SHEET NUMBER																																															
			A3-SIZE	173114	1731140236	GENERAL MARKET	1 OF 1																																															