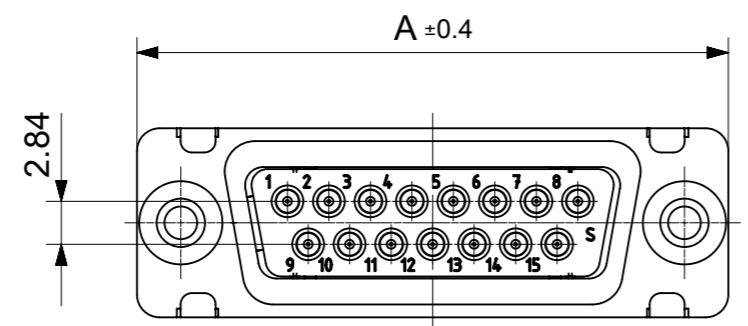
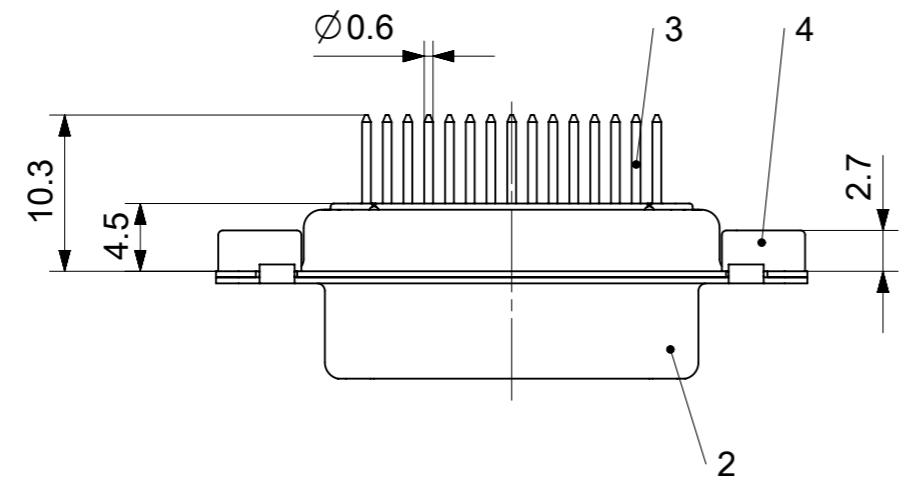
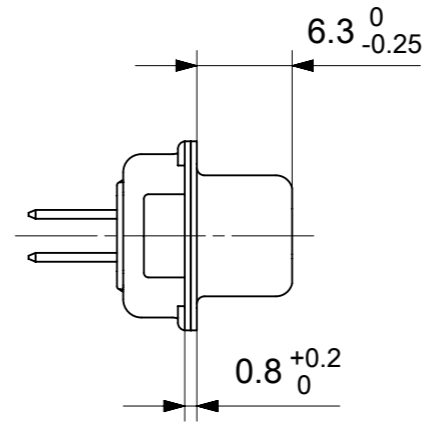
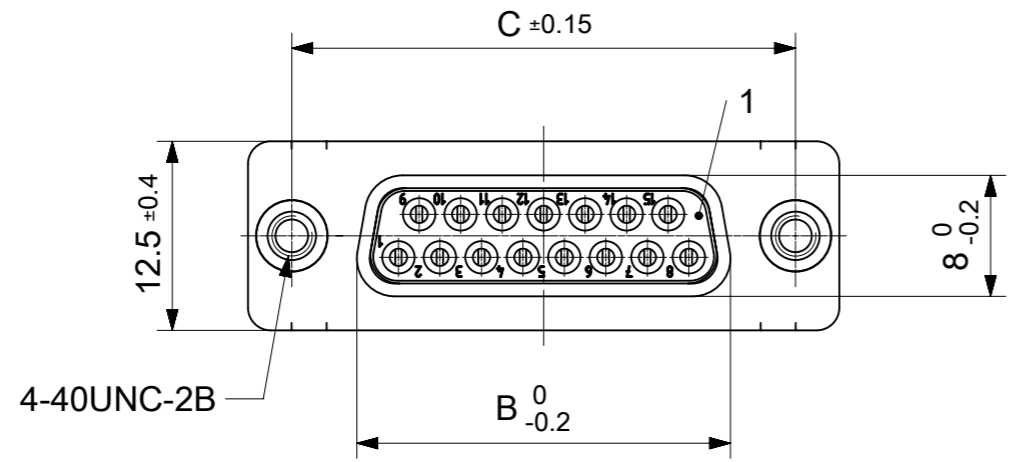


RoHS compliant
by exemption



FCT Part number:

FTxx*1)S1y*2)

e.g. FT15S1G1

*1) xx No. of contacts 09, 15, 25 or 37

*2) y for performance classes 1, 2 or 3

(contact cycle for G1/G2/G3 = 500/200/50)

| Material Number | xx*1) | y*2) | A[mm] | B[mm] | C[mm] | *E[mm] |
|-----------------|-------|------|-------|-------|-------|--------|
| 1731090974 | 09 | G1 | 30.8 | 16.4 | 25 | Ø1 |
| 1731090975 | | G2 | | | | |
| 1731090611 | 15 | G1 | 39.1 | 24.7 | 33.3 | |
| 1731090980 | | G3 | | | | |
| 1731090985 | 25 | G2 | 53 | 38.5 | 47.04 | |
| - | 37 | - | 69.3 | 54.9 | 63.5 | |

*PCB hole patterns ØE see document 2195600023

| No. | Pc. | Part | Type Description/Material | Surface plating/Color/Class |
|-----|-----|----------------|------------------------------------|-----------------------------|
| 4 | 2 | Clinch nut | FT 4-40 / Steel | tin plated |
| 3 | xx | Signal contact | S1 / Brass | G1 / G2 / G3 |
| 2 | 1 | Shell | Steel | tin plated |
| 1 | 1 | Insulator | PBT (-55°C to +125°C) acc. UL94V-0 | white |

MEASUREMENTS WITHOUT TOLERANCE ACC TO ISO 2768-m

REPLACEMENT FOR DOCUMENT NUMBER: FTxxS1Gy

FUNCTIONAL SYMBOLS: THIS DRAWING CONTAINS INFORMATION THAT IS PROPRIETARY TO MOLEX ELECTRONIC TECHNOLOGIES, LLC AND SHOULD NOT BE USED WITHOUT WRITTEN PERMISSION

SCALE: 2:1

GENERAL TOLERANCES (UNLESS SPECIFIED):

ANGULAR TOL ± °

4 PLACES ±

3 PLACES ±

2 PLACES ±

1 PLACE ±

0 PLACES ±

DRAFT WHERE APPLICABLE MUST REMAIN WITHIN DIMENSIONS

FIRST ANGLE PROJECTION

DRAWING: A3-SIZE

SERIES: 173109

MATERIAL NUMBER: SEE TABLE

CUSTOMER: GENERAL MARKET

SHEET NUMBER: 1 OF 1

EC NO: 708549

DRWN: SUGEEB 2021/12/07

CHK'D: MTEUBEL 2022/05/30

APPR: MTEUBEL 2022/05/30

INITIAL REVISION: DRWN: SUGEEB 2021/12/07, APPR: MTEUBEL 2022/05/30

DOCUMENT NUMBER: 1731090974

DOC TYPE: PSD

DOC PART: 000

REVISION: A

molex

FCT D-SUB MINIATURE CONNECTOR

PRODUCT CUSTOMER DRAWING



$\varnothing E$, $\varnothing F$ see data sheet incl. connector
 $\varnothing F$ connectors with accessories only

| | | | | | | | |
|---|---------------------------------------|------------------------|-----------------------------|---|-----------------|----------------|--------------------------------|
| MEASUREMENTS WITHOUT TOLERANCE ACC TO ISO 2768-m | | | | REPLACEMENT FOR DOCUMENT NUMBER: AM0023 | | | |
| THIS DRAWING CONTAINS INFORMATION THAT IS PROPRIETARY TO MOLEX ELECTRONIC TECHNOLOGIES, LLC AND SHOULD NOT BE USED WITHOUT WRITTEN PERMISSION | | | | | | | |
| FUNCTIONAL SYMBOLS | DIMENSION UNITS | SCALE | CURRENT REV DESC: | | | | |
| $\nabla_A = 0$ | mm | 2:1 | EC NO: 713905 | | | | |
| $\nabla_E = 0$ | GENERAL TOLERANCES (UNLESS SPECIFIED) | | DRWN: SKANDB 2022/05/16 | | | | |
| $\nabla_P = 0$ | ANGULAR TOL \pm ° | | CHK'D: MTEUBEL 2022/07/12 | | | | |
| DIVISIONAL SYMBOLS | 4 PLACES \pm | | APPR: MTEUBEL 2022/07/12 | | | | |
| | 3 PLACES \pm | | INITIAL REVISION: | | | | |
| | 2 PLACES \pm | | DRWN: SKANDB 2022/05/16 | | | | |
| | 1 PLACE \pm | | APPR: MTEUBEL 2022/07/12 | | | | |
| | 0 PLACES \pm | | DOCUMENT NUMBER: 2195600023 | | | | |
| DRAFT WHERE APPLICABLE MUST REMAIN WITHIN DIMENSIONS | | FIRST ANGLE PROJECTION | DRAWING | SERIES | MATERIAL NUMBER | CUSTOMER | DOC TYPE DOC PART REVISION |
| | | | A3-SIZE | 219560 | 219560 | GENERAL MARKET | PSD 000 A |
| | | | | | | | SHEET NUMBER: 1 OF 1 |