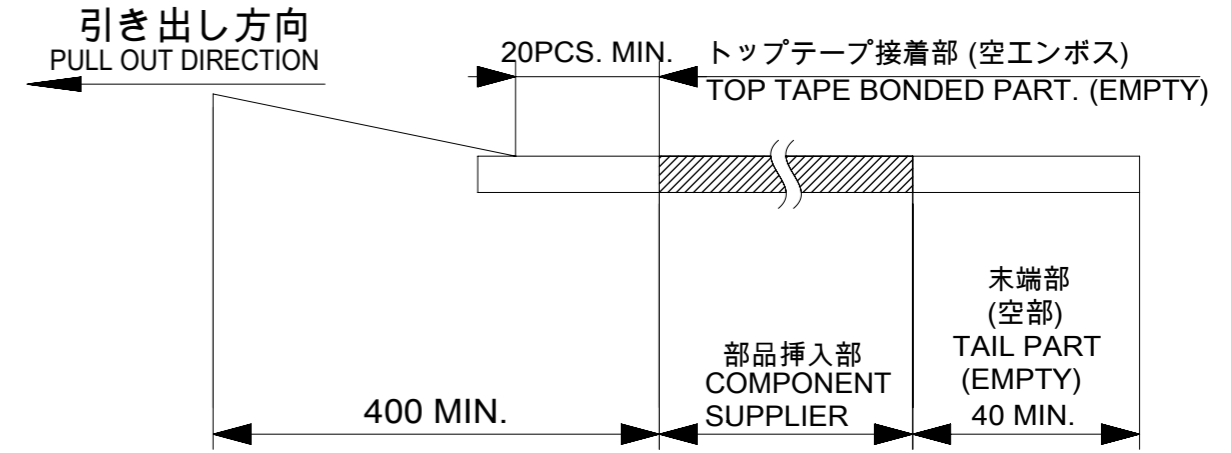
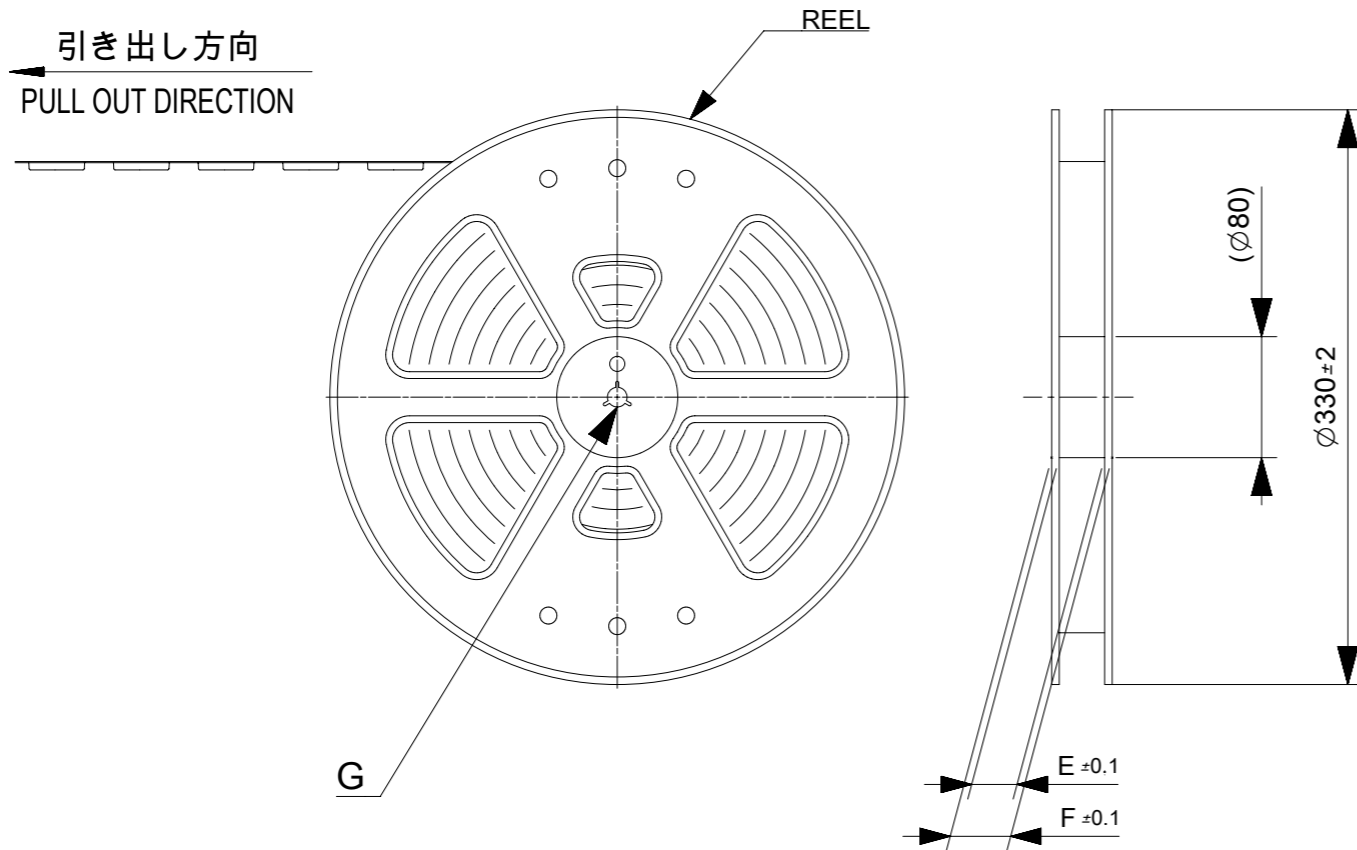
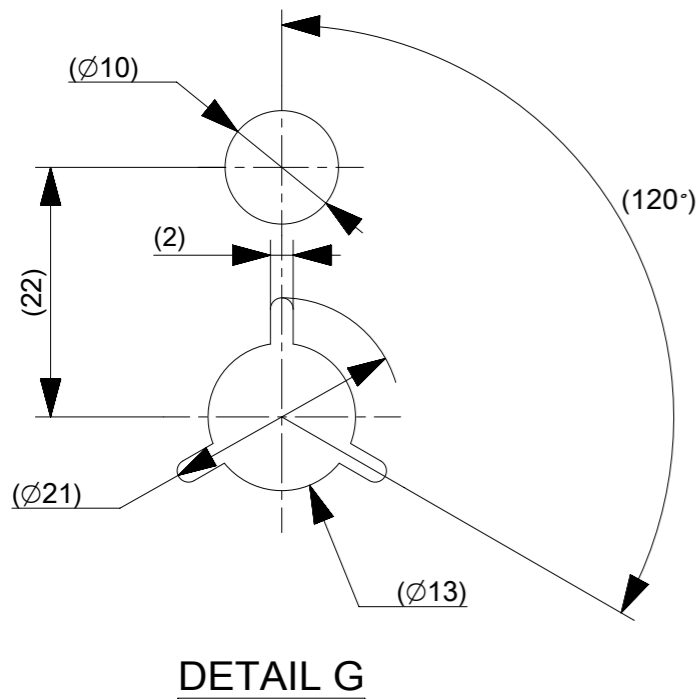


NOTES

1. 梱包数量 : 1500個 / リール
NUMBER OF CONNECTORS : 1500 PCS/REEL.
2. リードテープ長さ LEAD TAPE LENGTH.

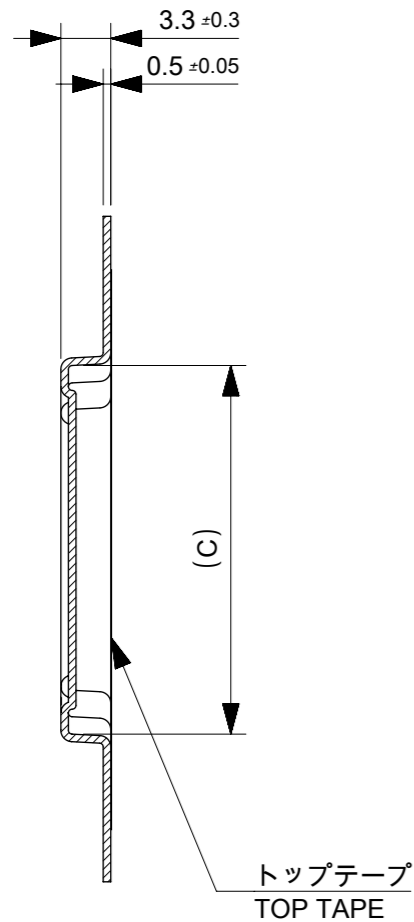


3. 材料 (MATERIAL)
キャリアテープ (CARRIER TAPE) : ポリプロピレン (POLYPROPYLENE)
トップテープ (TOP TAPE) : PET, PE, PEF
リール (REEL) : ポリスチレン (POLYSTYLENE)
4. 本製品は54104**96 のターミナル部分金メッキ品である。

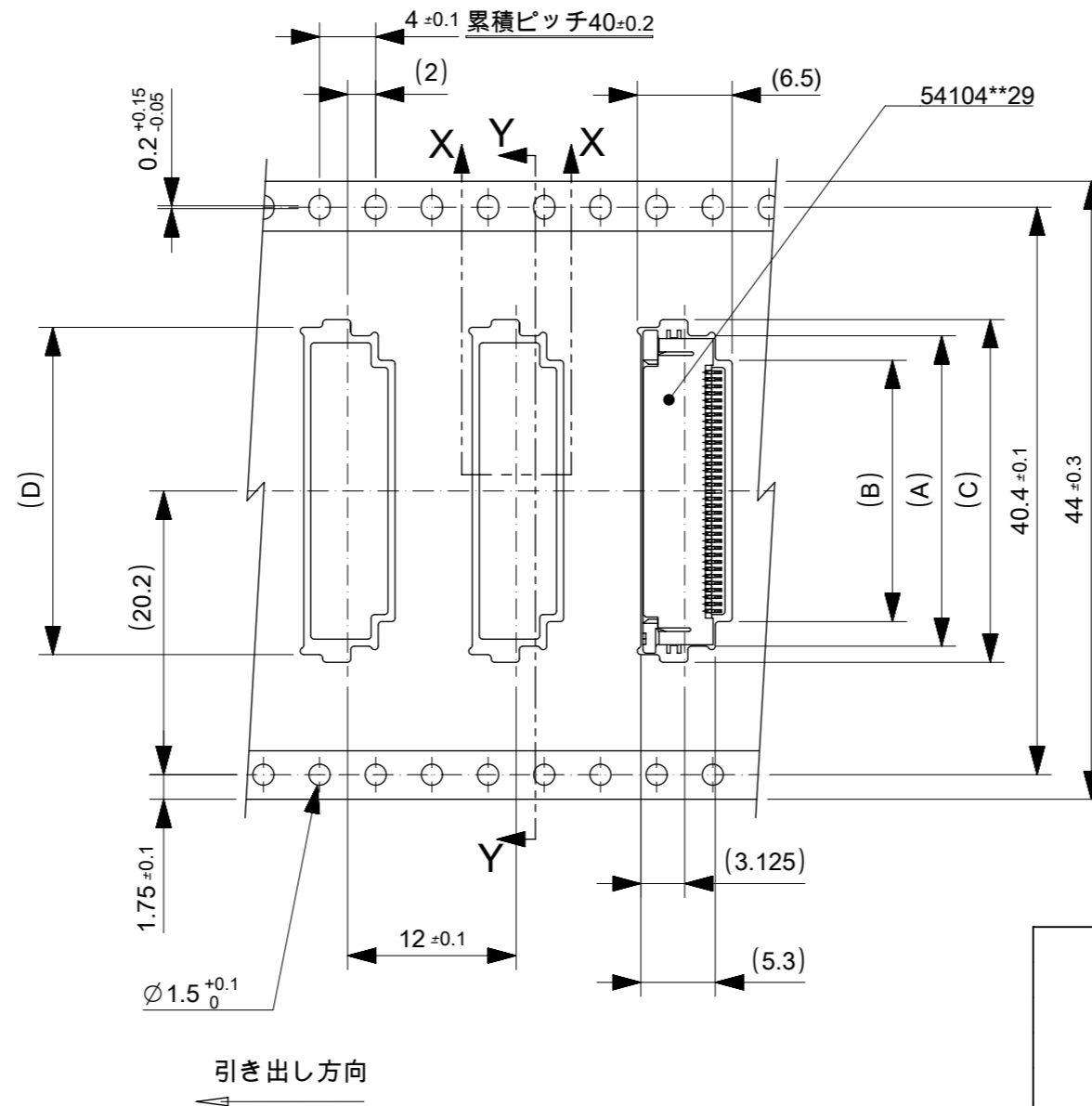


THIS DRAWING CONTAINS INFORMATION THAT IS PROPRIETARY TO MOLEX ELECTRONIC TECHNOLOGIES, LLC AND SHOULD NOT BE USED WITHOUT WRITTEN PERMISSION

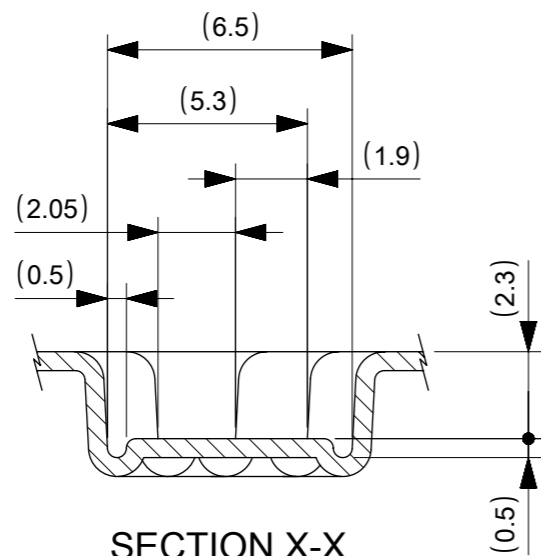
EC NO: 103444 DRWN: NVELUSAMY CHK'D: TKUSUHARA01 APPR: TKUSUHARA01	2016/02/16 2016/05/24 2016/05/24	GENERAL TOLERANCES (UNLESS SPECIFIED) ANGULAR TOL \pm °	DIMENSION UNITS: mm SCALE: 1:1	molex® EMBOSSSED TAPE PACKAGE FOR 54104**29 -LEAD FREE-		
	4 PLACES \pm 3 PLACES \pm 2 PLACES \pm 1 PLACE \pm 0 PLACES \pm	DRWN BY: NVELUSAMY DATE: 2016/02/16	CHK'D BY: YKOBAYASHI02 DATE:			
	DRAFT WHERE APPLICABLE MUST REMAIN WITHIN DIMENSIONS	APPR BY: TKUSUHARA01 DATE: 2016/05/24	DRAWING SIZE: A3 THIRD ANGLE PROJECTION	PRODUCT CUSTOMER DRAWING		
				SERIES: 54104 MATERIAL NUMBER: SEE CHART CUSTOMER: GENERAL	DOCUMENT NUMBER: 541040000 DOC TYPE: PSD DOC PART: 000	SHEET NUMBER: 1 OF 2



SECTION Y-Y



引き出し方向



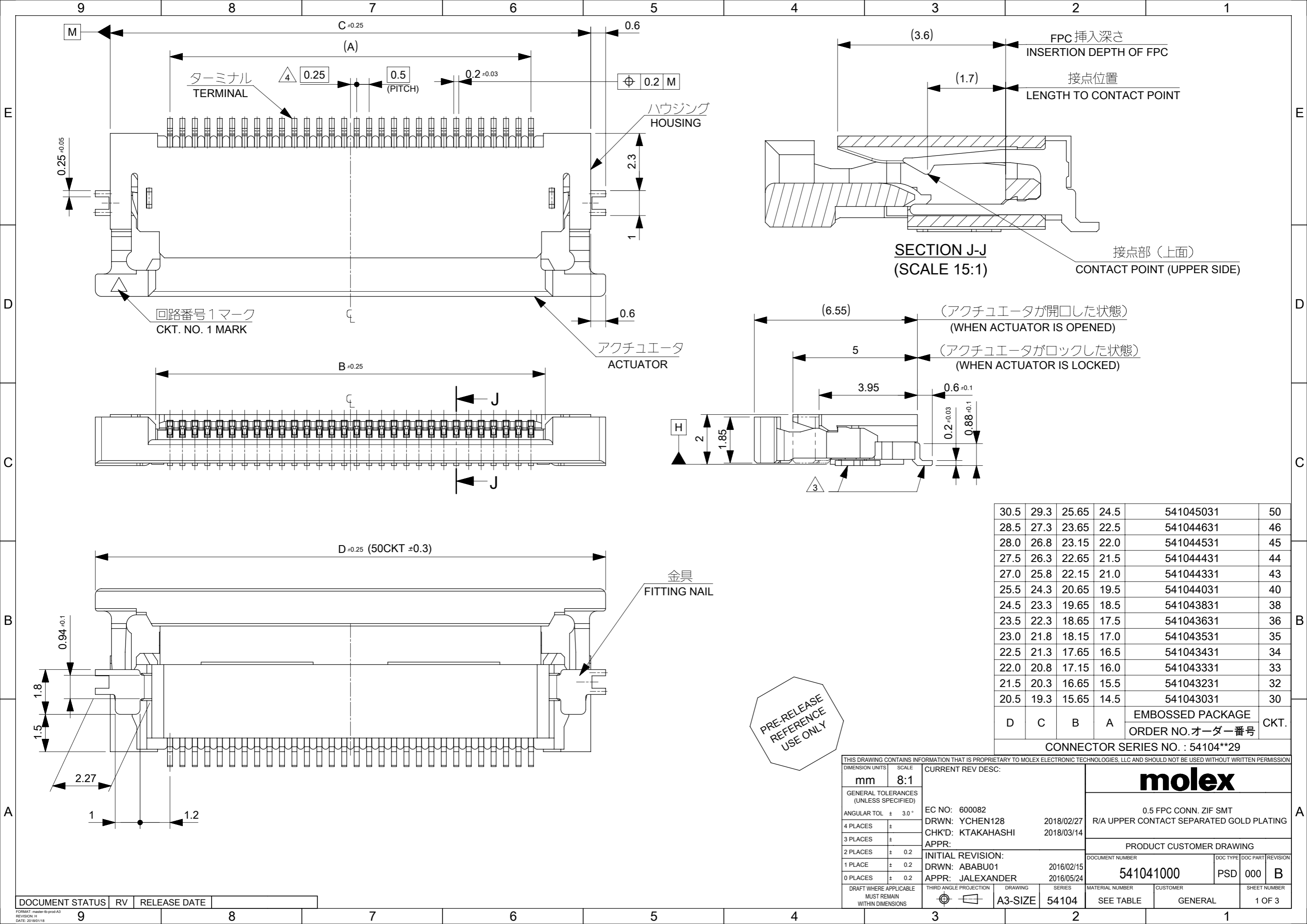
SECTION X-X
(SCALE 5:1)

44	49.4	45.4	30.8	31.9	26.1	29.6	541045031	50		
			28.8	29.9	24.1	27.6	541044631	46		
			28.3	29.4	23.6	27.1	541044531	45		
			27.8	28.9	23.1	26.6	541044431	44		
			27.3	28.4	22.6	26.1	541044331	43		
			25.8	26.9	21.1	24.6	541044031	40		
			24.8	25.9	20.1	23.6	541043831	38		
			23.8	24.9	19.1	22.6	541043631	36		
			23.3	24.4	18.6	22.1	541043531	35		
			22.8	23.9	18.1	21.6	541043431	34		
			22.3	23.4	17.6	21.1	541043331	33		
			21.8	22.9	17.1	20.6	541043231	32		
			20.8	21.9	16.1	19.6	541043031	30		
キャリアテープ幅 CARRIER TAPE WIDTH			F	E	D	C	B	A	MATERIAL NO.	CKT.

THIS DRAWING CONTAINS INFORMATION THAT IS PROPRIETARY TO MOLEX ELECTRONIC TECHNOLOGIES, LLC AND SHOULD NOT BE USED WITHOUT WRITTEN PERMISSION

EC NO: 103444 DRWN: NVELUSAMY CHK'D: TKUSUHARA01 APPR: TKUSUHARA01	2016/02/16	2016/05/24	2016/05/24	GENERAL TOLERANCES (UNLESS SPECIFIED) ANGULAR TOL ± ° 4 PLACES ± 3 PLACES ± 2 PLACES ± 1 PLACE ± 0 PLACES ± DRAFT WHERE APPLICABLE MUST REMAIN WITHIN DIMENSIONS	DIMENSION UNITS	SCALE
	mm		2:1			
	DRWN BY	DATE				
	NVELUSAMY	2016/02/16				
	CHK'D BY	DATE				
	YKOBAYASHI02					
APPR BY	DATE					
TKUSUHARA01	2016/05/24					
DRAWING SIZE		THIRD ANGLE PROJECTION				
A3						

molex [®]			
EMBOSSED TAPE PACKAGE FOR 54104**29 -LEAD FREE-			
PRODUCT CUSTOMER DRAWING			
SERIES	MATERIAL NUMBER	CUSTOMER	
54104	SEE CHART	GENERAL	
DOCUMENT NUMBER		DOC TYPE	DOC PART SHEET NUMBER
541040000		PSD	000 2 OF 2

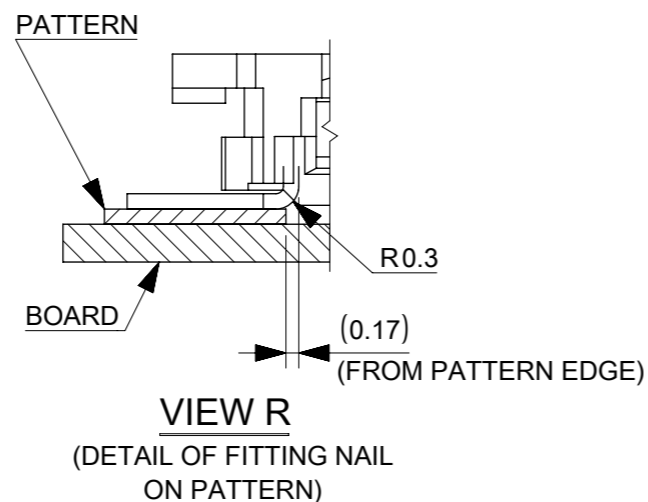
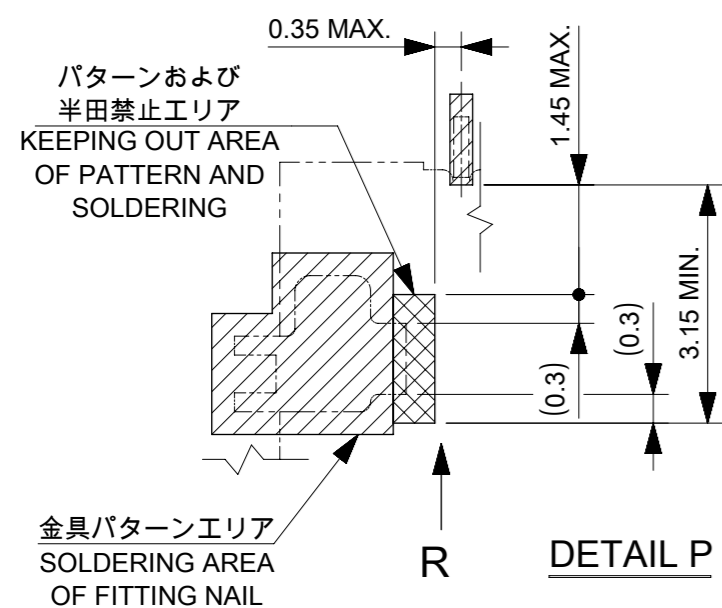
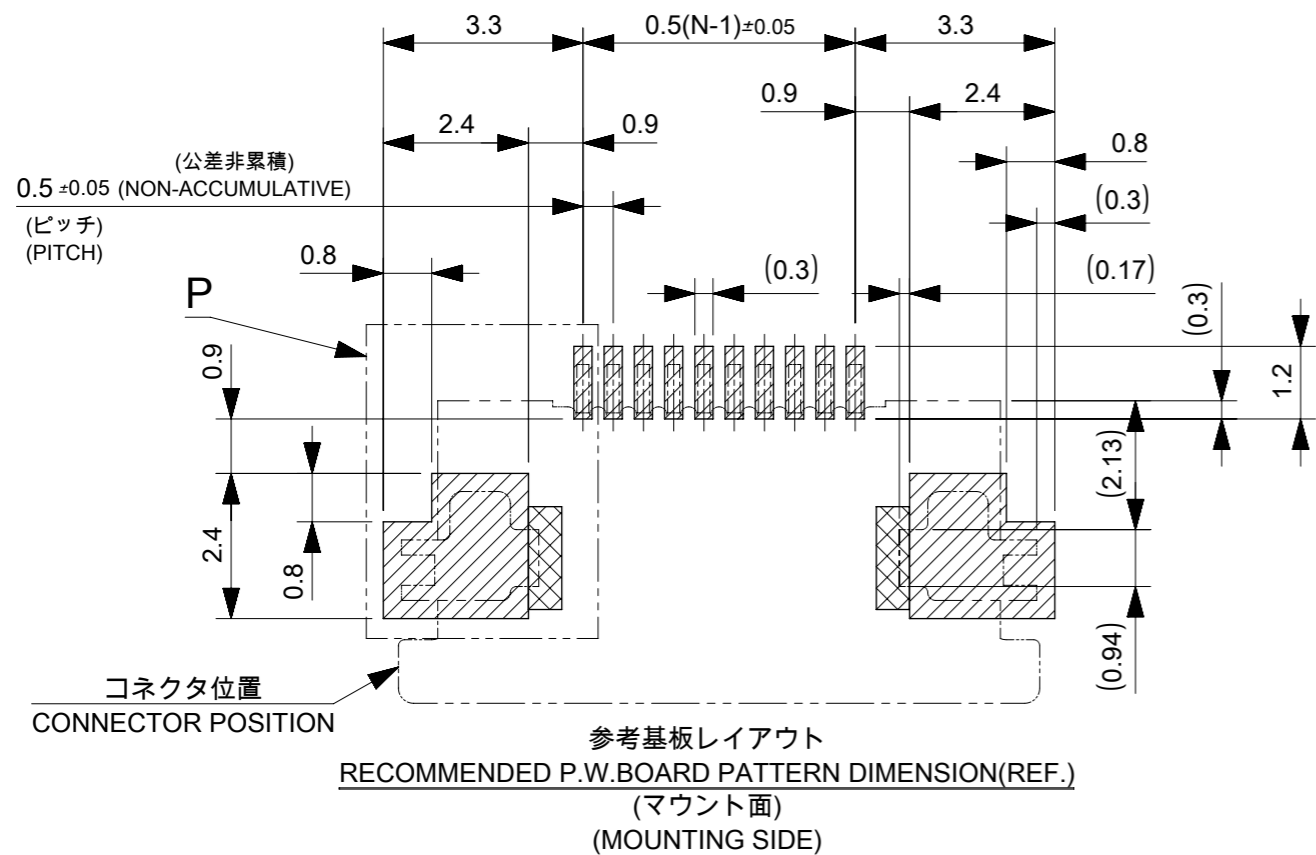


30.5	29.3	25.65	24.5	541045031	50
28.5	27.3	23.65	22.5	541044631	46
28.0	26.8	23.15	22.0	541044531	45
27.5	26.3	22.65	21.5	541044431	44
27.0	25.8	22.15	21.0	541044331	43
25.5	24.3	20.65	19.5	541044031	40
24.5	23.3	19.65	18.5	541043831	38
23.5	22.3	18.65	17.5	541043631	36
23.0	21.8	18.15	17.0	541043531	35
22.5	21.3	17.65	16.5	541043431	34
22.0	20.8	17.15	16.0	541043331	33
21.5	20.3	16.65	15.5	541043231	32
20.5	19.3	15.65	14.5	541043031	30
D	C	B	A	EMBOSSED PACKAGE	CKT.
ORDER NO. オーダー番号					
CONNECTOR SERIES NO. : 54104**29					

PRE-RELEASE
REFERENCE
USE ONLY

THIS DRAWING CONTAINS INFORMATION THAT IS PROPRIETARY TO MOLEX ELECTRONIC TECHNOLOGIES, LLC AND SHOULD NOT BE USED WITHOUT WRITTEN PERMISSION					
DIMENSION UNITS	SCALE	CURRENT REV DESC:			
mm	8:1				
GENERAL TOLERANCES (UNLESS SPECIFIED)					
ANGULAR TOL	± 3.0°				
4 PLACES	±				
3 PLACES	±				
2 PLACES	± 0.2				
1 PLACE	± 0.2				
0 PLACES	± 0.2				
DRAFT WHERE APPLICABLE MUST REMAIN WITHIN DIMENSIONS		THIRD ANGLE PROJECTION	DRAWING	SERIES	MATERIAL NUMBER
			A3-SIZE	54104	SEE TABLE
		EC NO: 600082		2018/02/27	
		DRWN: YCHEN128		2018/03/14	
		CHK'D: KTAKAHASHI			
		APPR:			
		INITIAL REVISION:			
		DRWN: ABABU01		2016/02/15	
		APPR: JALEXANDER		2016/05/24	
		DOCUMENT NUMBER		DOC TYPE	DOC PART
		541041000		PSD	000
		CUSTOMER		REVISION	
		GENERAL		B	
		SHEET NUMBER		1 OF 3	

DOCUMENT STATUS	RV	RELEASE DATE	
-----------------	----	--------------	--



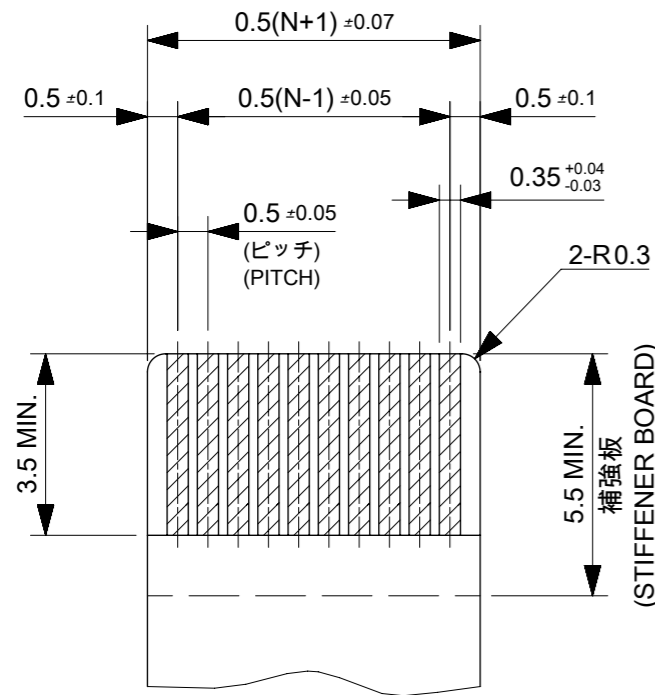
注記 NOTES

- 1. 使用材料 MATERIAL**
 ハウジング : 46ナイロン、ガラス充填、UL94V-0、白
 HOUSING : PA46, GLASS FILLED, UL94V-0, WHITE
 アクチュエータ : ポリフェニレンサルファイド (PPS)、ガラス充填、UL94V-0、茶色
 ACTUATOR : POLYPHENYLENE SULFIDE, GLASS FILLED, UL94V-0, BROWN
 ターミナル : リン青銅(t=0.2) 金メッキ 接触部 0.1 MICROMETER MINIMUM
 テール部 0.05 MICROMETER MINIMUM
 ニッケル下地 1.0 MICROMETER MINIMUM

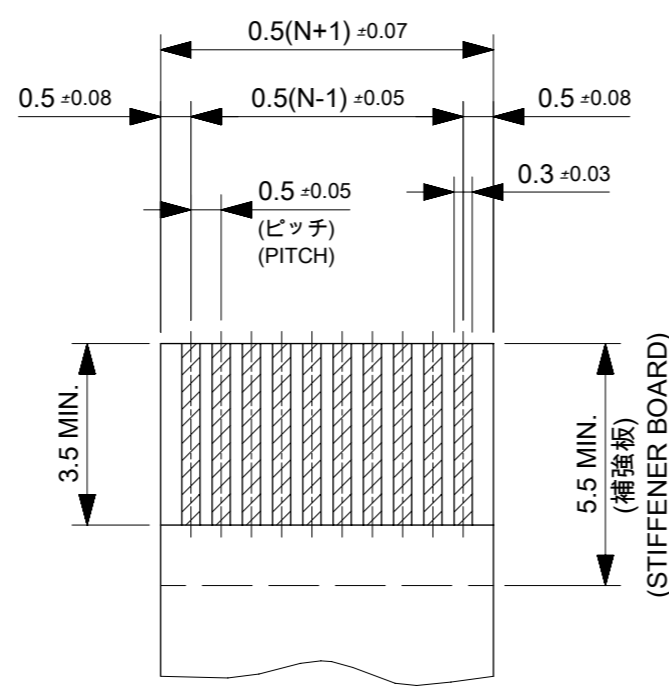
 TERMINAL PHOS-BRONZE GOLD-PLATING
 CONTACT PORTION : 0.1 MICROMETER MINIMUM
 TAIL PORTION : 0.05 MICROMETER MINIMUM
 NICKEL PLATING : 1.0 MICROMETER MINIMUM
 金具 : リン青銅(t=0.2) 錫メッキ 1.0~3.0 MICROMETER MINIMUM
 ニッケル下地 1.0~3.0 MICROMETER MINIMUM
 FITTING NAIL : PHOS-BRONZE TIN-PLATING 1.0~3.0 MICROMETER MINIMUM
 OVER NICKEL 1.0~3.0 MICROMETER MINIMUM
 - 2. エンボステープ梱包時はアクチュエータがロックした状態とする。**
 IN THE PACKAGE, ACTUATOR OF PART NO.54104**29 SHOULD BE LOCKED.
 ソルダーテール半田付け面のズレ量、および金具半田付け面のズレ量は
- △3 基準面 **H** に対し上方向 0.1MAXIMUM、下方向 0.15MAXIMUMとする。
- MISALIGNMENT OF SOLDER TAILS AND FITTING NAILS FROM **H**
 UPPER DIRECTION : 0.1MAXIMUM, LOWER DIRECTION : 0.15 MAXIMUM.
- △4 偶数極に適用。
 APPLY FOR EVEN CIRCUIT.
- △5 パターンはく離止め金具。
 FITTING NAIL FOR PREVENTION OF PEELING
 OF P.W.BOARD PATTERN.
- 6. ELV & RoHS適合品**
 ELV AND RoHS COMPLIANT



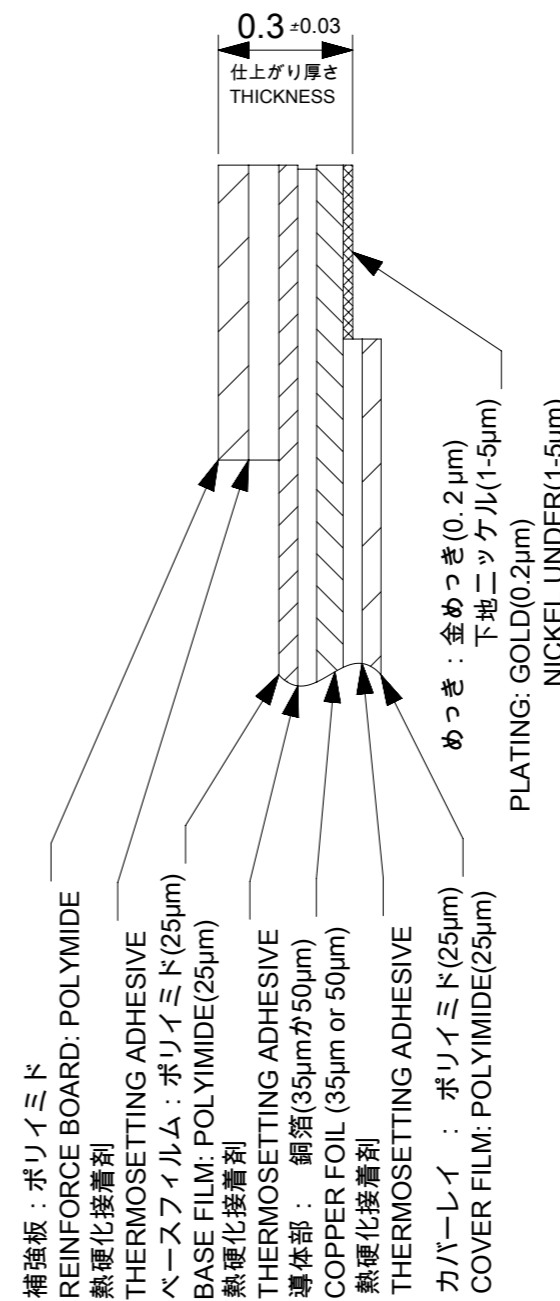
THIS DRAWING CONTAINS INFORMATION THAT IS PROPRIETARY TO MOLEX ELECTRONIC TECHNOLOGIES, LLC AND SHOULD NOT BE USED WITHOUT WRITTEN PERMISSION									
DIMENSION UNITS		SCALE		CURRENT REV DESC:				molex	
mm		8:1							
GENERAL TOLERANCES (UNLESS SPECIFIED)				EC NO: 600082				0.5 FPC CONN. ZIF SMT	
ANGULAR TOL ± 3.0°				DRWN: YCHEN128 2018/02/27				R/A UPPER CONTACT SEPARATED GOLD PLATING	
4 PLACES ±				CHK'D: KTAKAHASHI 2018/03/14				PRODUCT CUSTOMER DRAWING	
3 PLACES ±				APPR:				DOCUMENT NUMBER	
2 PLACES ± 0.2				INITIAL REVISION:				541041000	
1 PLACE ± 0.2				DRWN: ABABU01 2016/02/15				DOC TYPE	
0 PLACES ± 0.2				APPR: JALEXANDER 2016/05/24				PSD	
DRAFT WHERE APPLICABLE MUST REMAIN WITHIN DIMENSIONS				THIRD ANGLE PROJECTION		DRAWING		SHEET NUMBER	
				A3-SIZE		SERIES		2 OF 3	
				54104		MATERIAL NUMBER		GENERAL	
				SEE SHEET 1		CUSTOMER			



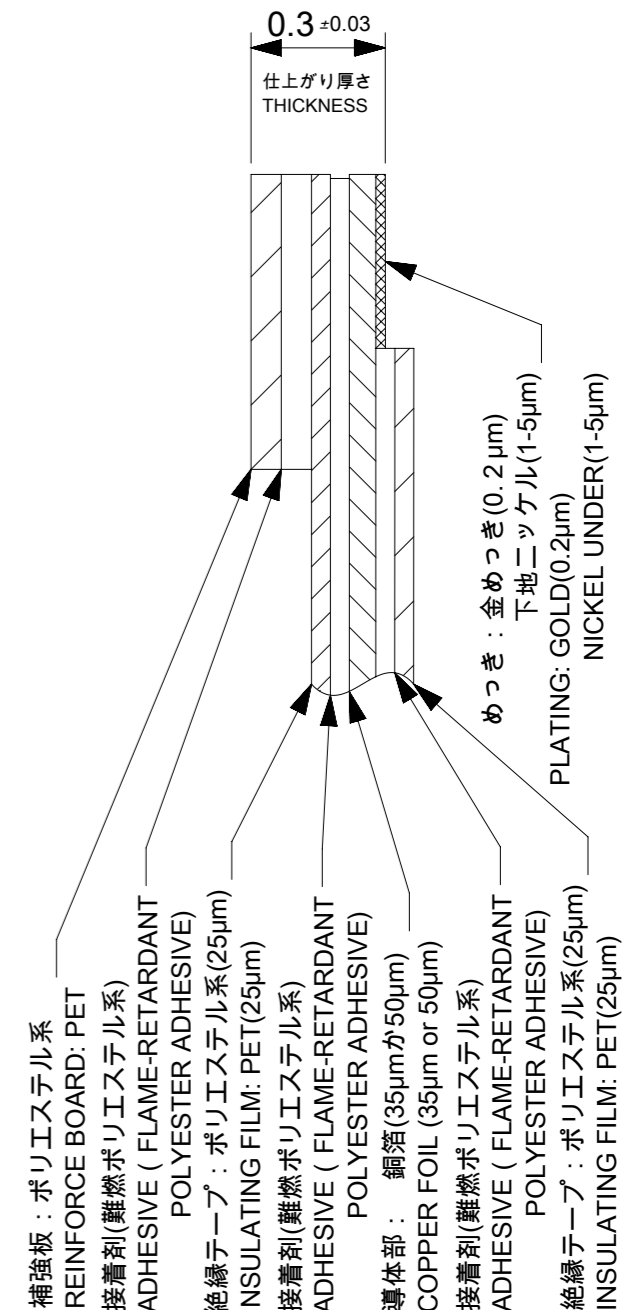
適合金めっき FPC 推奨寸法
 APPLICABLE FPC OF GOLD PLATING
 RECOMMENDED DIMENSION
 (仕上がり厚さ : 0.3±0.03)
 (THICKNESS : 0.3±0.03)



適合金めっき FFC 推奨寸法
 APPLICABLE FFC OF GOLD PLATING
 RECOMMENDED DIMENSION
 (仕上がり厚さ : 0.3±0.03)
 (THICKNESS : 0.3±0.03)



FPC構成推奨仕様
 STRUCTURE OF FPC



FFC構成推奨仕様
 STRUCTURE OF FFC

FPC/FFCについて:
 打ち抜き方向は導体側から補強板側を推奨いたします。
 導体部は軟銅箔 35MICROMETER または 50MICROMETERを推奨いたします。
 RECOMMENDED PUNCHER DIRECTION
 FROM CONDUCTOR SIDE TO STIFFENER BOARD SIDE.
 RECOMMENDED CONDUCTOR SPEC
 THICKNESS OF SOFT COPPER FOIL
 : 35MICROMETERS OR 50MICROMETERS
 FPCについて:
 補強フィルム材質はポリイミドを推奨いたします。
 接着剤は熱硬化接着剤を推奨いたします。
 RECOMMENDED MATERIAL
 STIFFENER FILM : POLYIMIDE
 BONDING AGENT : THERMOSETTING BONDING AGENT



THIS DRAWING CONTAINS INFORMATION THAT IS PROPRIETARY TO MOLEX ELECTRONIC TECHNOLOGIES, LLC AND SHOULD NOT BE USED WITHOUT WRITTEN PERMISSION		CURRENT REV DESC:		molex		
DIMENSION UNITS	SCALE	EC NO: 600082				
mm	8:1	DRWN: YCHEN128 2018/02/27		R/A UPPER CONTACT SEPARATED GOLD PLATING		
GENERAL TOLERANCES (UNLESS SPECIFIED)		CHK'D: KTAKAHASHI 2018/03/14		PRODUCT CUSTOMER DRAWING		
ANGULAR TOL	± 3.0°	APPR:		DOCUMENT NUMBER		
4 PLACES	±	INITIAL REVISION:		541041000		
3 PLACES	±	DRWN: ABABU01 2016/02/15		DOC TYPE		DOC PART
2 PLACES	± 0.2	APPR: JALEXANDER 2016/05/24		PSD		000
1 PLACE	± 0.2	THIRD ANGLE PROJECTION		CUSTOMER		REVISION
0 PLACES	± 0.2	DRAWING		GENERAL		B
DRAFT WHERE APPLICABLE MUST REMAIN WITHIN DIMENSIONS		SERIES		MATERIAL NUMBER		SHEET NUMBER
		A3-SIZE		SEE SHEET 1		3 OF 3
		54104		GENERAL		

DOCUMENT STATUS	RV	RELEASE DATE	
-----------------	----	--------------	--