

MATERIALS

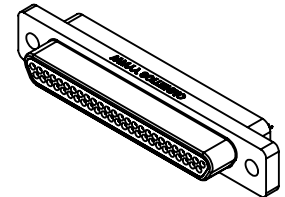
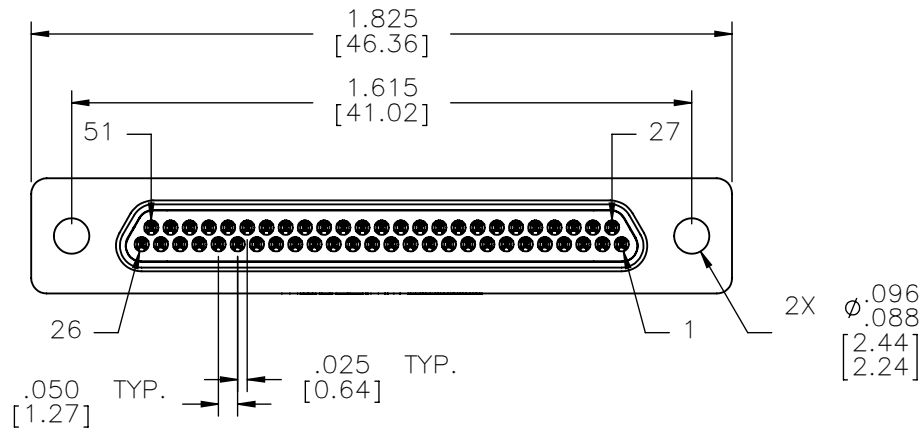
HOUSING:
ALUMINUM 6061-T6, NICKEL
PLATE PER AMS-C-26074

INSULATOR:
LIQUID CRYSTAL POLYMER
(LCP) PER ASTM D5138

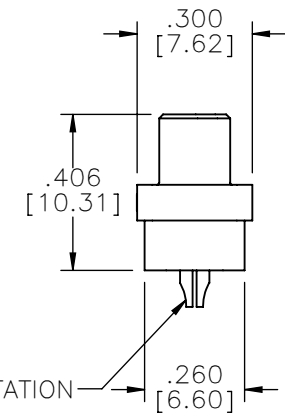
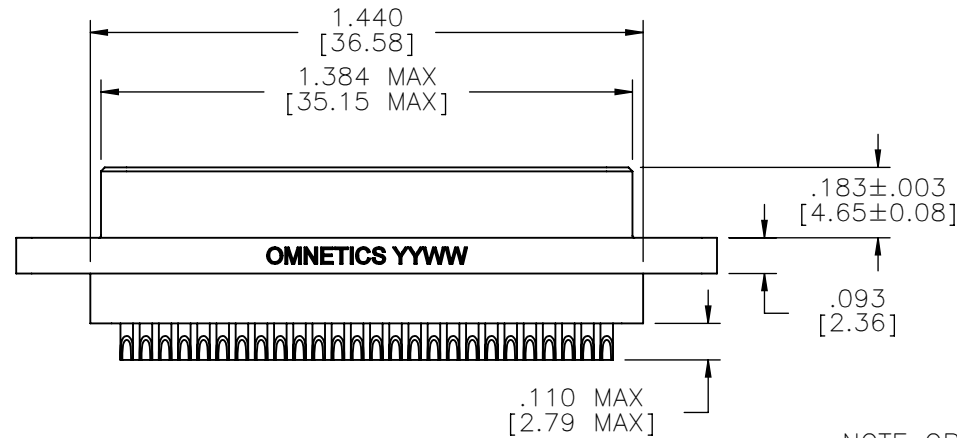
CONTACT/SOLDERCUP:
BERYLLIUM COPPER PER
ASTM B194, C17200, AND
COPPER ALLOY PER MIL-
DTL-83513, GOLD PLATED
PER ASTM B488, (HARD
GOLD) TYPE II CODE C,
CLASS 1.27

HARDWARE:
AVAILABLE UPON REQUEST

PART NO.	A98000-512	REV	ECO	DATE	APP
		B	99310	02-27-13	JMJ



ACTUAL SIZE



NOTE ORIENTATION

RoHS

NOTE:
DIMENSIONS IN [] ARE IN
MILLIMETERS UNLESS
OTHERWISE NOTED AND ARE
FOR REFERENCE ONLY

MDCS SLDW	THIRD ANGLE
	-TOLERANCES-
	UNLESS OTHERWISE NOTED
	DIMENSIONS IN INCHES
2	PL DEC ± .01
3	PL DEC ± .005
4	PL DEC ± .0005
ANGLES ± 1°	

THIS DRAWING CONTAINS CONFIDENTIAL AND PROPRIETARY INFORMATION WHICH IS THE PROPERTY OF OMNETICS CONNECTOR CORP. THIS DOCUMENT MAY NOT, IN WHOLE OR IN PART, BE DUPLICATED, OR DISCLOSED FOR ANY PURPOSE, WITHOUT WRITTEN PERMISSION FROM OMNETICS CONNECTOR CORP.

DFTM.	TLM	DATE	12-08-10
CHK'D.		DATE	
APP'D.		DATE	

TITLE:
**(51) PIN MALE
MICRO-D CONNECTOR**

OMNETICS
CONNECTOR CORPORATION
7260 COMMERCE CIRCLE EAST
MINNEAPOLIS, MN 55432
WWW.OMNETICS.COM

CAGE CODE 61873	
DWG NO. A98000-512	
SHEET 1 OF 1	REV B
SCALE: 2:1	