

RoHS COMPLIANT BY EXEMPTION

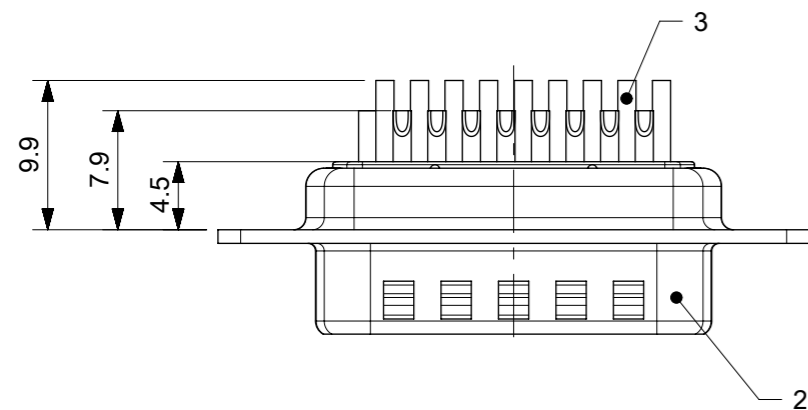


TABLE FOR PART NUMBERS

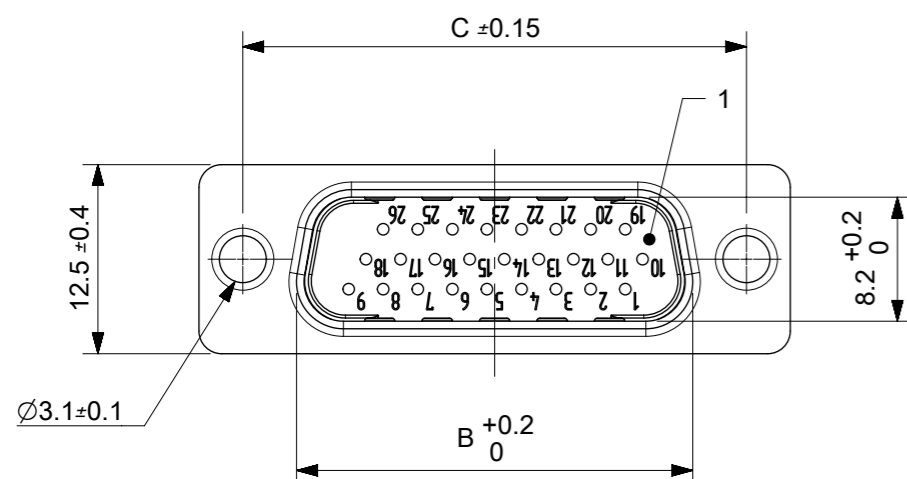
MOLEX PART#	FCT PART#	X-X	A [mm]	B [mm]	C [mm]	NO. OF CONTACTS 1./2./3. ROW	FORMERLY PART NO
1731130147	F09-15POG0-0008	09-15	30.8	16.9	25	5/5/5	CT09-15P-2045
1731130148	F15-26POG0-0008	15-26	39.1	25.2	33.3	9/9/8	CT15-26P-2045
1731130149	F25-44POG0-0008	25-44	53	38.9	47.04	15/15/14	CT25-44P-2045

TABLE FOR GENERAL TOLERANCES

PERMISSIBLE DEVIATIONS FOR BASIC SIZE RANGE				
0.5 UPTO	OVER 3 UPTO	OVER 6 UPTO	OVER 30 UPTO	OVER 120 UPTO
3	6	30	120	400
±0.1	±0.1	±0.2	±0.3	±0.5

X-X NO. OF CONTACTS 09-15, 15-26, 25-44

3	X-X	SIGNAL CONTACT, MACHINED	HP0 / BRASS	AWG 22 / 0.8µm Au
2	1	SHELL	STEEL	TIN PLATED
1	1	INSULATOR	PBT (-55°C+130°C)	BLACK
NO.	St.	PART	TYPE DESCRIPTION/MATERIAL	SURFACE PLATING/COLOUR/CLASS



THIS DRAWING CONTAINS INFORMATION THAT IS PROPRIETARY TO MOLEX ELECTRONIC TECHNOLOGIES, LLC AND SHOULD NOT BE USED WITHOUT WRITTEN PERMISSION

QUALITY SYMBOLS	EC NO.	DRWN:	CHK'D:	APPR:	GENERAL TOLERANCES (UNLESS SPECIFIED)	DIMENSION UNITS	SCALE	molex®		
▽A = 0	2017/04/13	RLALSANGI	ISHWARG	ISHWARG	GENERAL TOLERANCES (UNLESS SPECIFIED)	MM	2:1	HPD HIGH DENSITY D-SUB, SOLDER CUP, WITH MACHINED MALE CONTACTS		
▽E = 0	2017/06/07				ANGULAR TOL ± °					
▽F = 0					4 PLACES ±			PRODUCT CUSTOMER DRAWING		
▽ = 0					3 PLACES ±					
▽ = 0					2 PLACES ±			SERIES MATERIAL NUMBER CUSTOMER 173113 SEE TABLE GENERAL MARKET		
▽ = 0					1 PLACE ±					
▽ = 0					0 PLACES ±			DOCUMENT NUMBER DOC TYPE DOC PART SHEET NUMBER 1731130147 PSD 000 1 OF 1		
▽ = 0					DRAFT WHERE APPLICABLE MUST REMAIN WITHIN DIMENSIONS	A3	THIRD ANGLE PROJECTION			