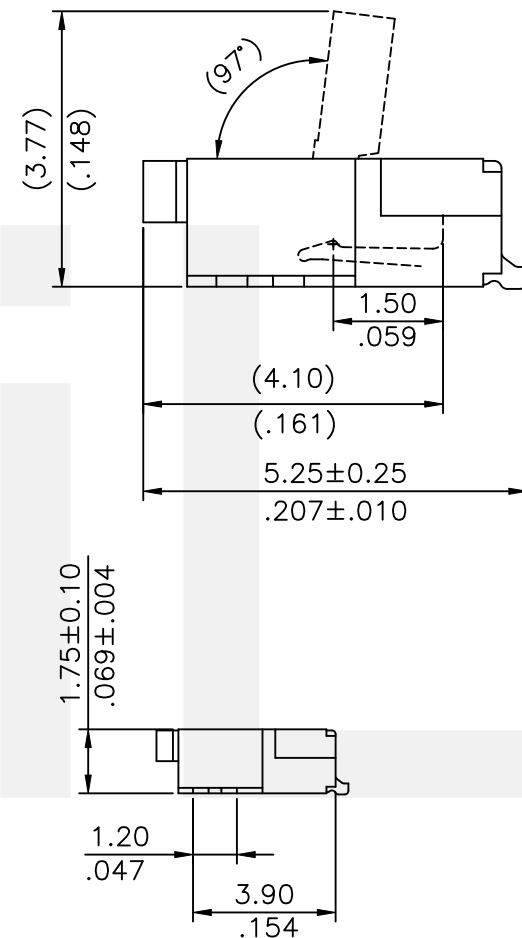
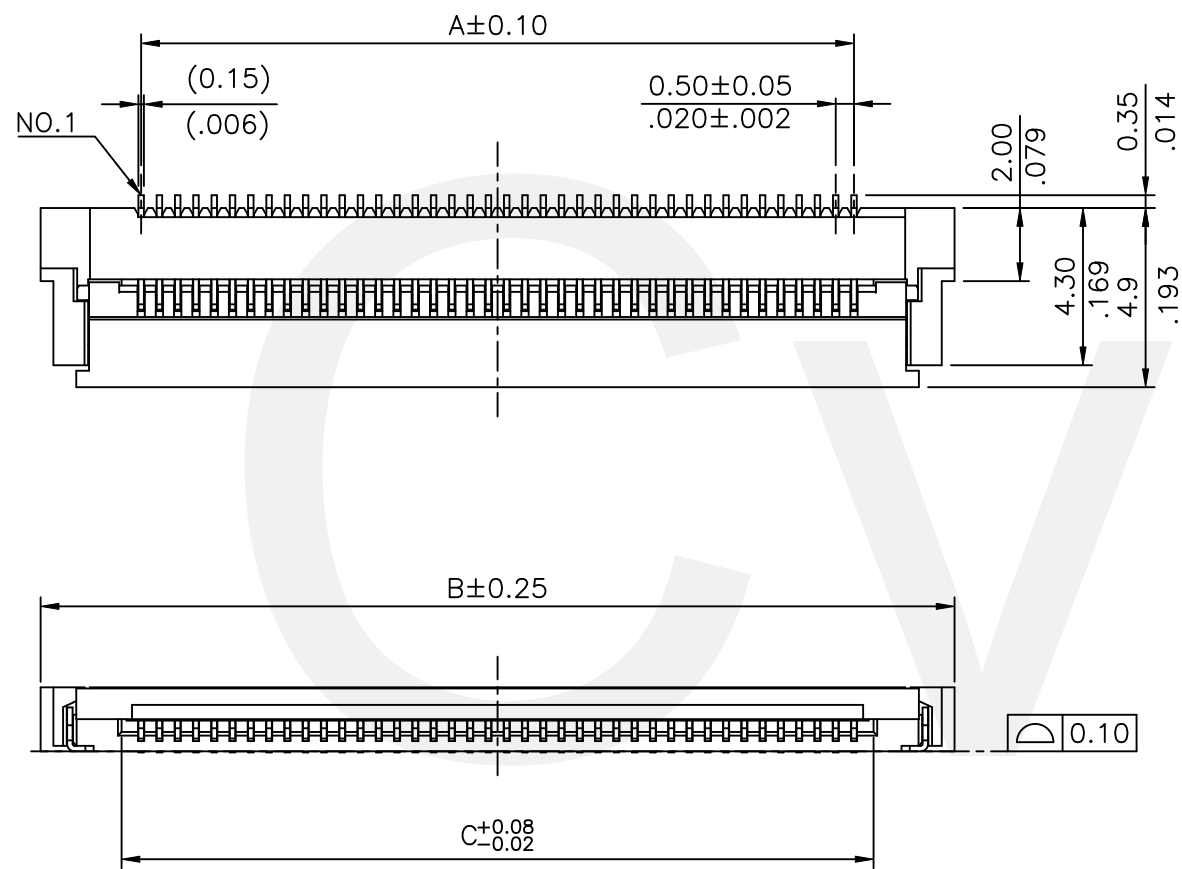


Material :

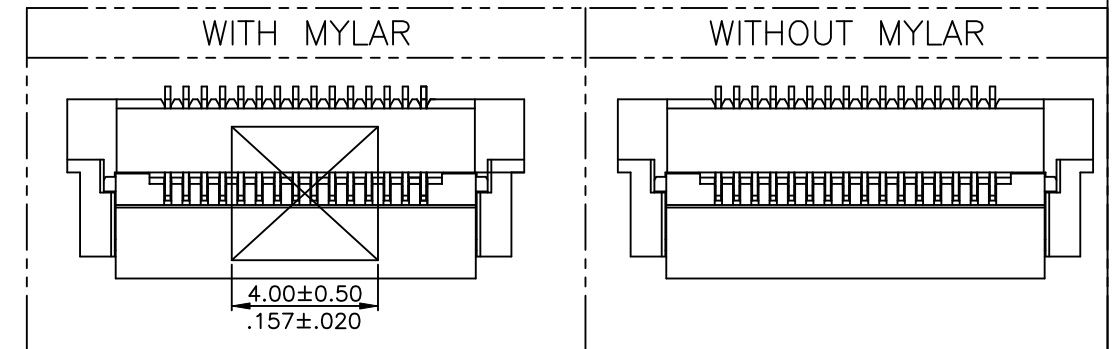
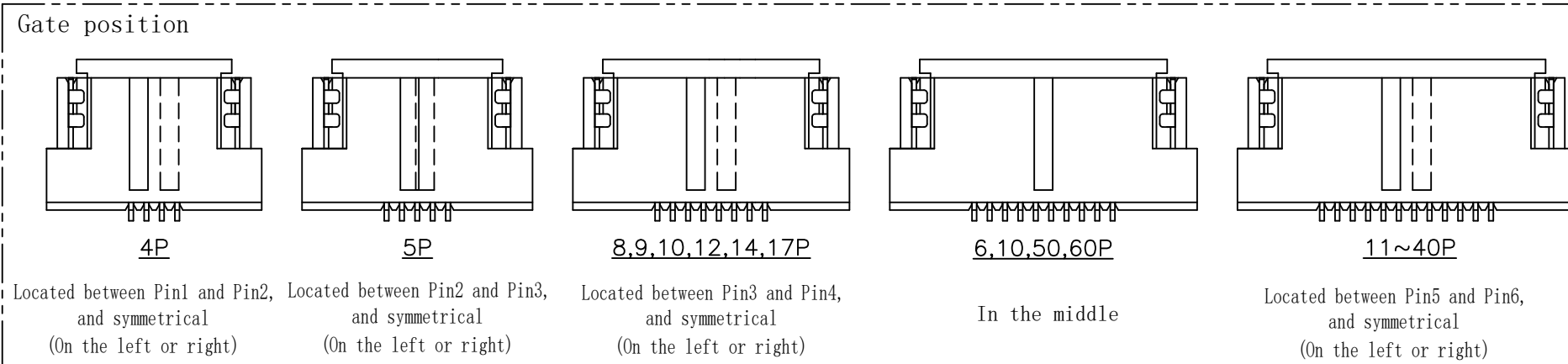
- * Base: High temperature plastic UL94 V-0, Color Nature
- * Cover: High temperature plastic UL94 V-0, Color Black
- * Contact: Phosphor Bronze
- * Fixed tab: Brass with 100 μ " Min. Matte Tin plated over 50 μ " Min. Nickel.




Ordering Code

CF61 ** * D 0 * * -05 -NH
 ① ② ③ ④ ⑤ ⑥ ⑦ ⑧ ⑨

- ① Series No.
- ② No. of Circuits
- ③ Plating code:
 - 1= 2.03 μ m(80 μ "") Min. Matte Tin Plating on Contact area & Solderails, 1.27 μ m(50 μ "") Nickel Underplating over all
 - 2= Gold Flash Plating on Contact area and Solderails, 1.27 μ m(50 μ "") Nickel Underplating over all
 - D= Contact area: 0.25 μ m(10 μ "") Min. Gold plated
Solder area: 0.02 μ m(0.8 μ "") Min. gold-flash over all 1.27 μ m(50 μ "") Min. Nickel
- ④ Contact style: D= Downside contact
- ⑤ 0= Color Nature
- ⑥ Packing: R= Tape & Reel packing
T= Tube Packing
- ⑦ Option: 0= Without Mylar
M= With Mylar
- ⑧ -05= 0.5 Pitch
- ⑨ -NH= For Lead Free IR Reflow Processed and Halogen Free



Halogen-Free Lead Free Process RoHS Compliant

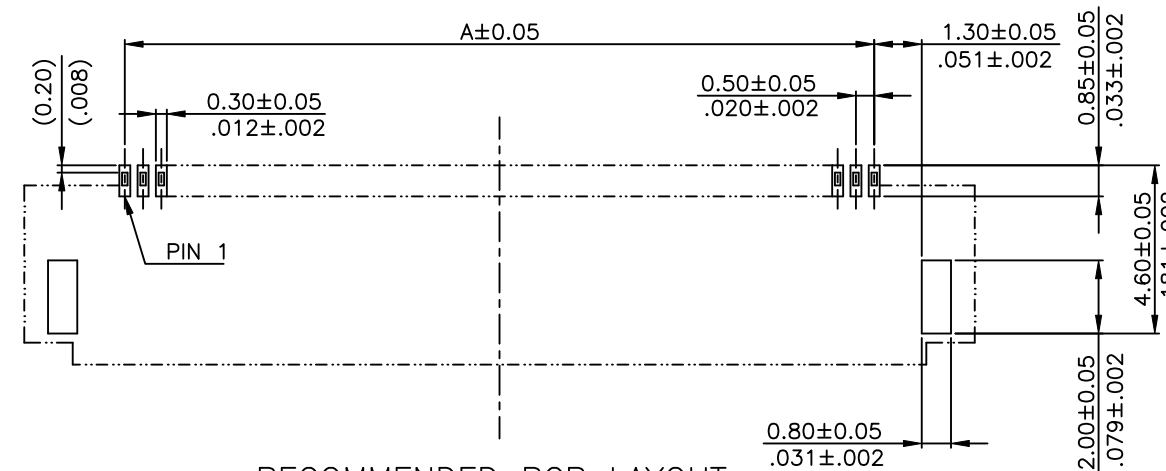
④					DATE	UNIT: mm / inch	TITLE: 0.50mm(.020") ZIF FFC/FPC ONE-TOUCH CONNECTOR	 瀚荃股份有限公司 CviLux Corporation
③					DATE	TOLERANCE UNLESS OTHERWISE SPECIFIED	MATERIAL:	
②	Sun	6/06-23'	ECRH123017/ECNT125107	2023/07/05	DRAWN BY: Sun	.X ± 0.25/.010	.X* ±	DRAWING NO. CF6101SC
①	Sun	1/06-21'	ECNT121014	ISSUED	ENGINEER: Sun	.XX ± 0.15/.006	.X* ± 2'	PART NO. CF61***DOR0-05-NH
SYM	NAME	DATE	REVISIONS		CHECKED BY: Eisley	.XXX ±	.XX* ±	SCALE 5 / 1
					APPROVED BY: Eisley			SHEET 1 OF 3



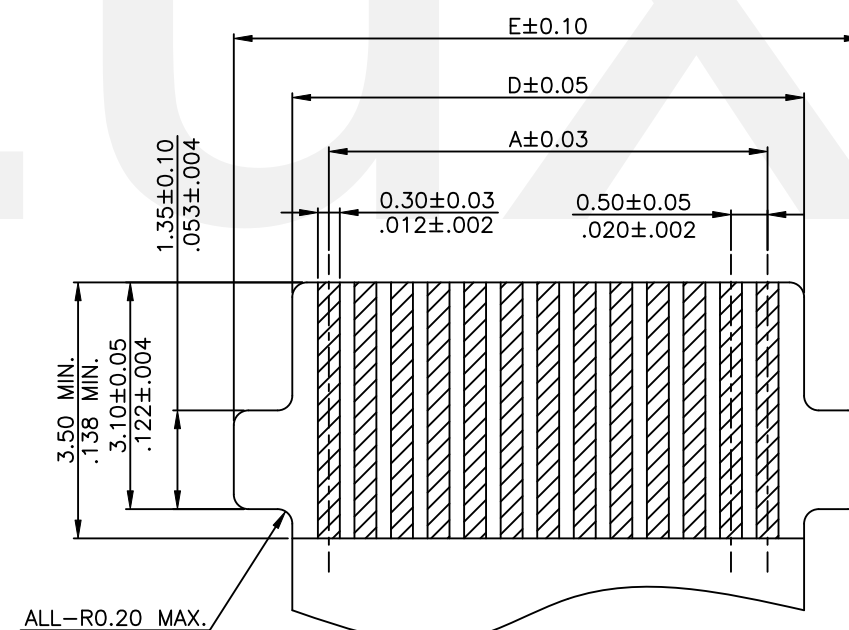
(N) NO. of TERMINALS	DIMENSIONS				
	A	B	C	D	E
* 4	1.50	7.00	2.57	2.50	4.10
* 5	2.00	7.50	3.07	3.00	4.60
* 6	2.50	8.00	3.57	3.50	5.10
* 7	3.00	8.50	4.07	4.00	5.60
* 8	3.50	9.00	4.57	4.50	6.10
* 9	4.00	9.50	5.07	5.00	6.60
* 10	4.50	10.00	5.57	5.50	7.10
11	5.00	10.50	6.07	6.00	7.60
* 12	5.50	11.00	6.57	6.50	8.10
13	6.00	11.50	7.07	7.00	8.60
* 14	6.50	12.00	7.57	7.50	9.10
15	7.00	12.50	8.07	8.00	9.60
* 16	7.50	13.00	8.57	8.50	10.10
* 17	8.00	13.50	9.07	9.00	10.60
18	8.50	14.00	9.57	9.50	11.10
19	9.00	14.50	10.07	10.00	11.60
* 20	9.50	15.00	10.57	10.50	12.10
21	10.00	15.50	11.07	11.00	12.60
22	10.50	16.00	11.57	11.50	13.10
23	11.00	16.50	12.07	12.00	13.60
24	11.50	17.00	12.57	12.50	14.10
25	12.00	17.50	13.07	13.00	14.60
* 26	12.50	18.00	13.57	13.50	15.10
27	13.00	18.50	14.07	14.00	15.60
28	13.50	19.00	14.57	14.50	16.10
29	14.00	19.50	15.07	15.00	16.60
* 30	14.50	20.00	15.57	15.50	17.10
31	15.00	20.50	16.07	16.00	17.60
32	15.50	21.00	16.57	16.50	18.10

(N) NO. of TERMINALS	DIMENSIONS				
	A	B	C	D	E
33	16.00	21.50	17.07	17.00	18.60
34	16.50	22.00	17.57	17.50	19.10
35	17.00	22.50	18.07	18.00	19.60
36	17.50	23.00	18.57	18.50	20.10
37	18.00	23.50	19.07	19.00	20.60
38	18.50	24.00	19.57	19.50	21.10
39	19.00	24.50	20.07	20.00	21.60
* 40	19.50	25.00	20.57	20.50	22.10
41	20.00	25.50	21.07	21.00	22.60
42	20.50	26.00	21.57	21.50	23.10
43	21.00	26.50	22.07	22.00	23.60
* 44	21.50	27.00	22.57	22.50	24.10
45	22.00	27.50	23.07	23.00	24.60
46	22.50	28.00	23.57	23.50	25.10
47	23.00	28.50	24.07	24.00	25.60
48	23.50	29.00	24.57	24.50	26.10
49	24.00	29.50	25.07	25.00	26.60
* 50	24.50	30.00	25.57	25.50	27.10
51	25.00	30.50	26.07	26.00	27.60
52	25.50	31.00	26.57	26.50	28.10
53	26.00	31.50	27.07	27.00	28.60
54	26.50	32.00	27.57	27.50	29.10
55	27.00	32.50	28.07	28.00	29.60
56	27.50	33.00	28.57	28.50	30.10
57	28.00	33.50	29.07	29.00	30.60
58	28.50	34.00	29.57	29.50	31.10
59	29.00	34.50	30.07	30.00	31.60
* 60	29.50	35.00	30.57	30.50	32.10

*= Available number of poles, Circuits not found above please consult manufacturer



RECOMMENDED PCB LAYOUT




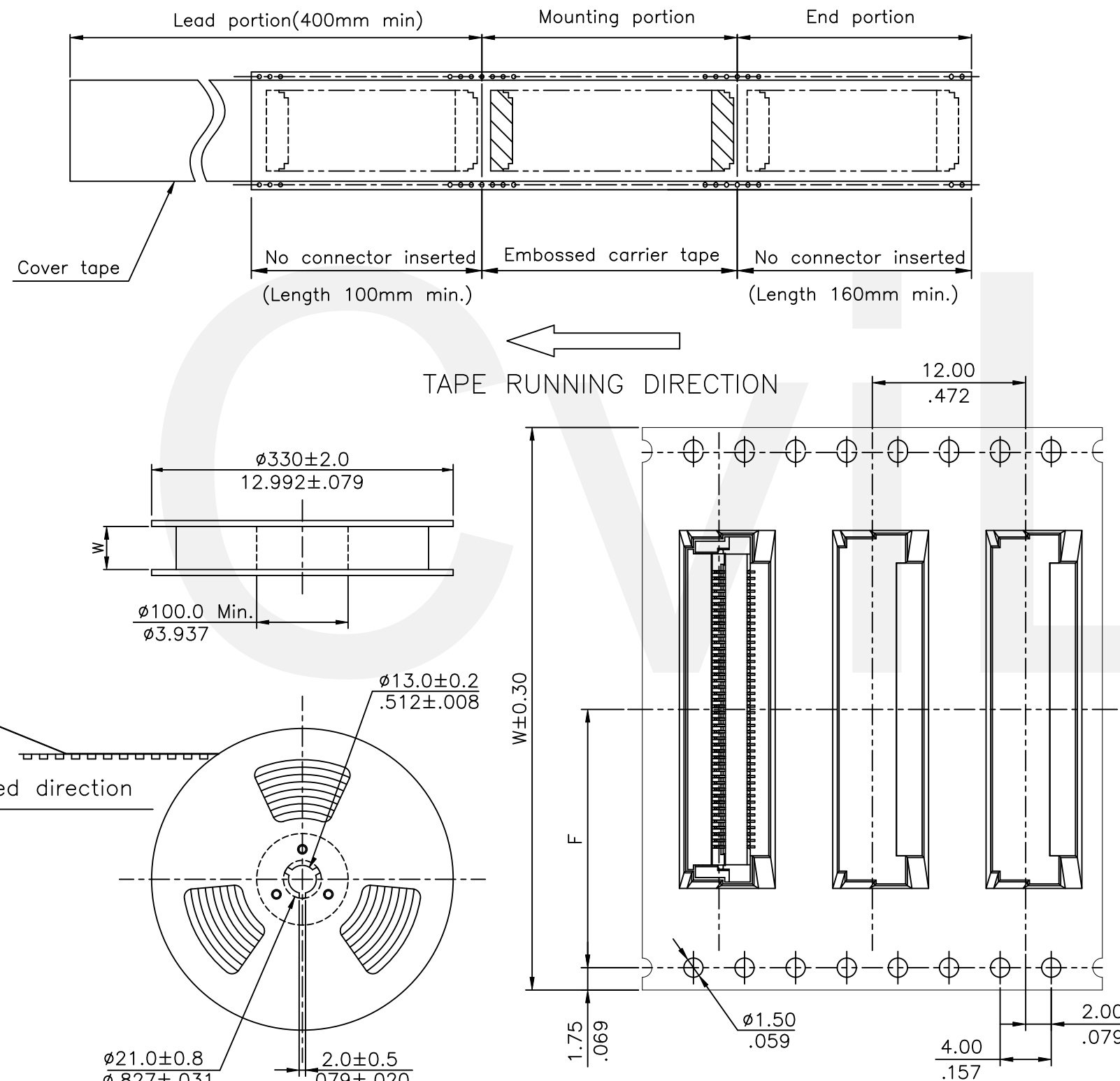
THICKNESS: 0.3±0.03)
APPLICABLE FFC/FPC DIM.(REF)

Halogen-Free

Lead Free Process

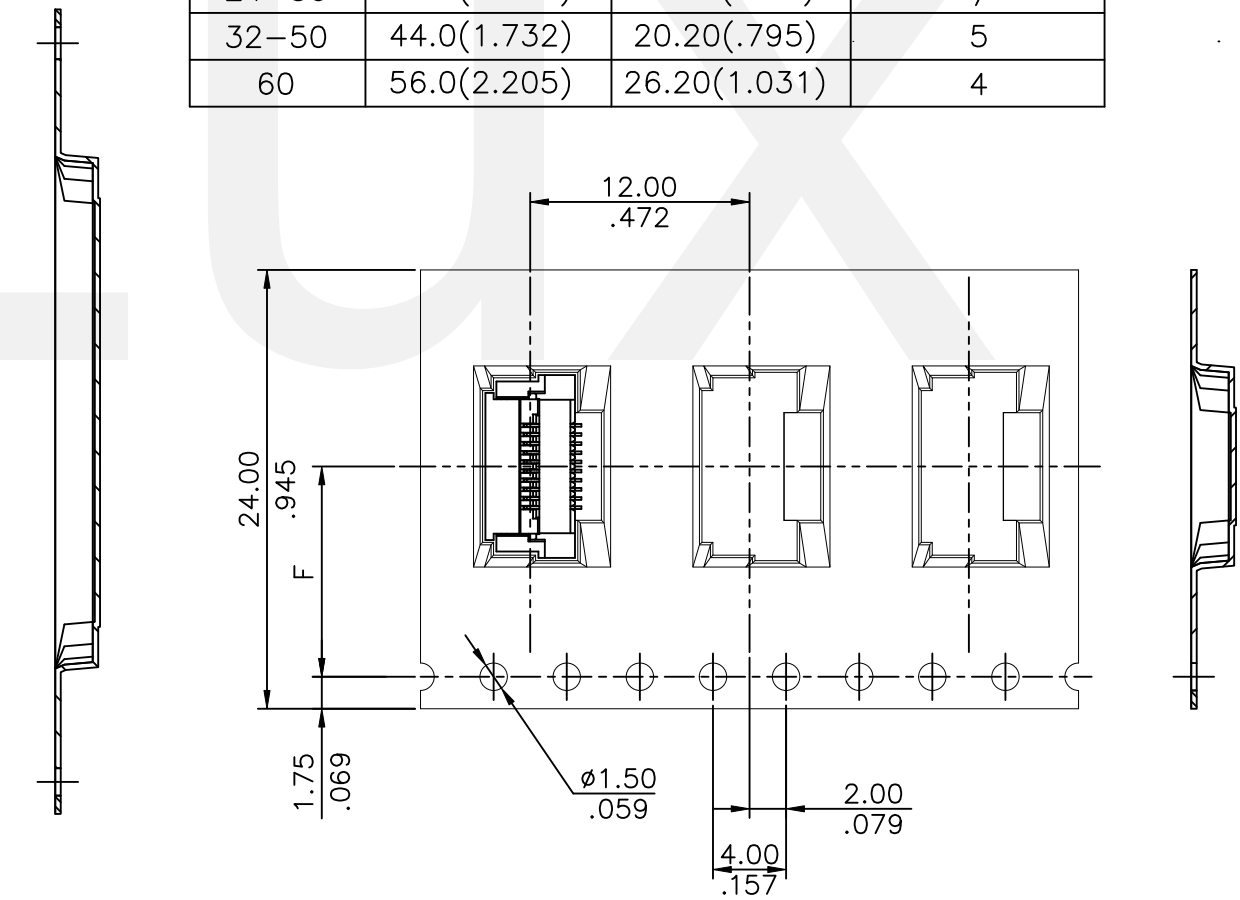
RoHS Compliant

4					DATE	UNIT: mm / inch	TITLE: 0.50mm(.020") ZIF FFC/FPC ONE-TOUCH CONNECTOR	 瀚荃股份有限公司 CviLux Corporation
3					DATE	TOLERANCE UNLESS OTHERWISE SPECIFIED	MATERIAL:	
2	Sun	6/06-23'	ECRH123017/ECNT125107	2023/07/05	DATE	.X ± 0.25/.010	.X* ±	
1	Sun	1/06-21'	ECNT121014	ISSUED	DATE	.XX ± 0.15/.006	.X* ± 2'	
SYM	NAME	DATE	REVISIONS		APPROVED BY:	.XXX ±	.XX* ±	DRAWING NO. CF6101SC SCALE 5 / 1 PART NO. CF61***DOR0-05-NH SHEET 2 OF 3



- Notes:
1. 10 sprocket hole pitch cumulative tolerance ± 0.2
 2. Material: Polystyrene.
 3. All dimensions meet EIA-481-B requirements.
 4. Quantity: 2000 Pcs/Reel


Circuits	Dimension		Packing (Reel/Carton)
	W	F	
4-6	16.0(.630)	7.50(.295)	11
8-22	24.0(.945)	11.50(.453)	9
24-30	32.0(1.260)	14.20(.559)	7
32-50	44.0(1.732)	20.20(.795)	5
60	56.0(2.205)	26.20(1.031)	4



WIDTH : 32, 44, 56 mm Carrier

WIDTH : 16, 24 mm Carrier

RoHS Compliant

4					DATE	UNIT: mm / inch	TITLE: 0.50mm(.020") ZIF FFC/FPC ONE-TOUCH CONNECTOR	 瀚荃股份有限公司 CviLux Corporation
3					DATE	TOLERANCE UNLESS OTHERWISE SPECIFIED	MATERIAL:	
2	Sun	6/06-23'	ECRH123017/ECNT125107	2023/07/05	DATE	.X \pm 0.25/.010	FINISH:	DRAWING NO. CF6101SC
1	Sun	1/06-21'	ECNT121014	ISSUED	DATE	.XX \pm 0.15/.006		SCALE 5 / 1
SYM	NAME	DATE	REVISIONS		APPROVED BY: Eisley	.XXX \pm		PART NO. CF61***DOR0-05-NH
					DATE	.X* \pm		SHEET 3 OF 3
					DATE	.X* \pm 2'		
					DATE	.XX* \pm		