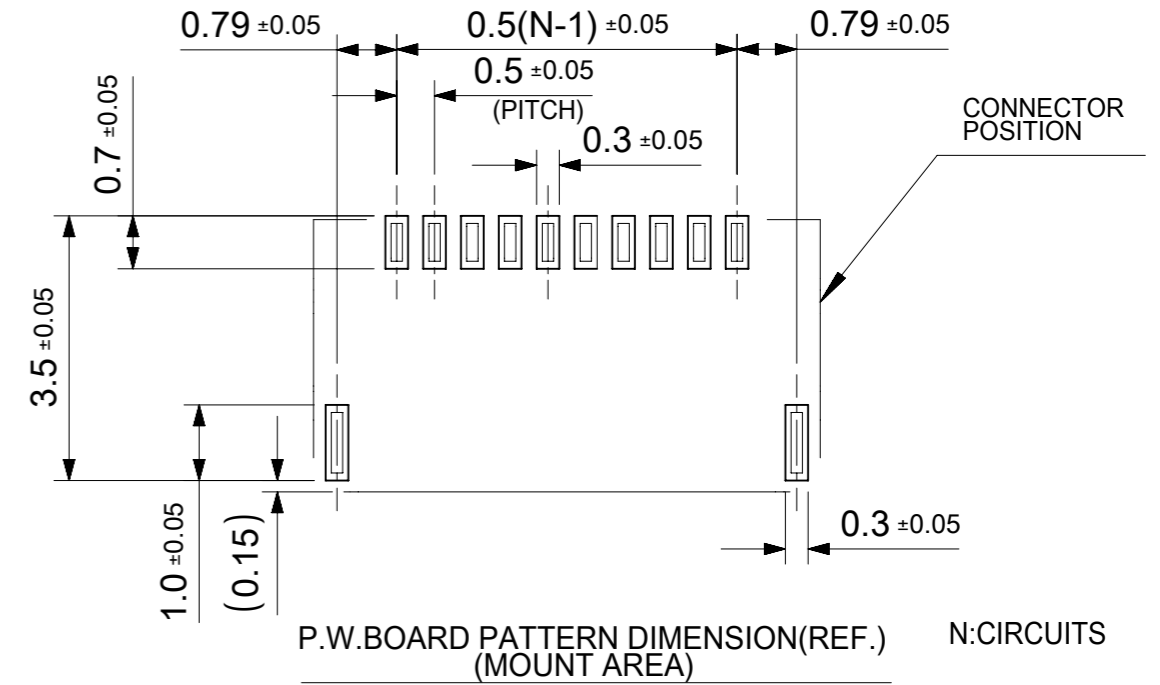
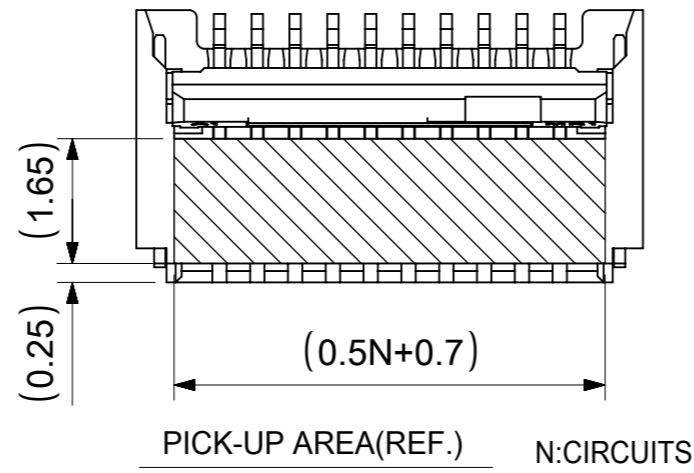
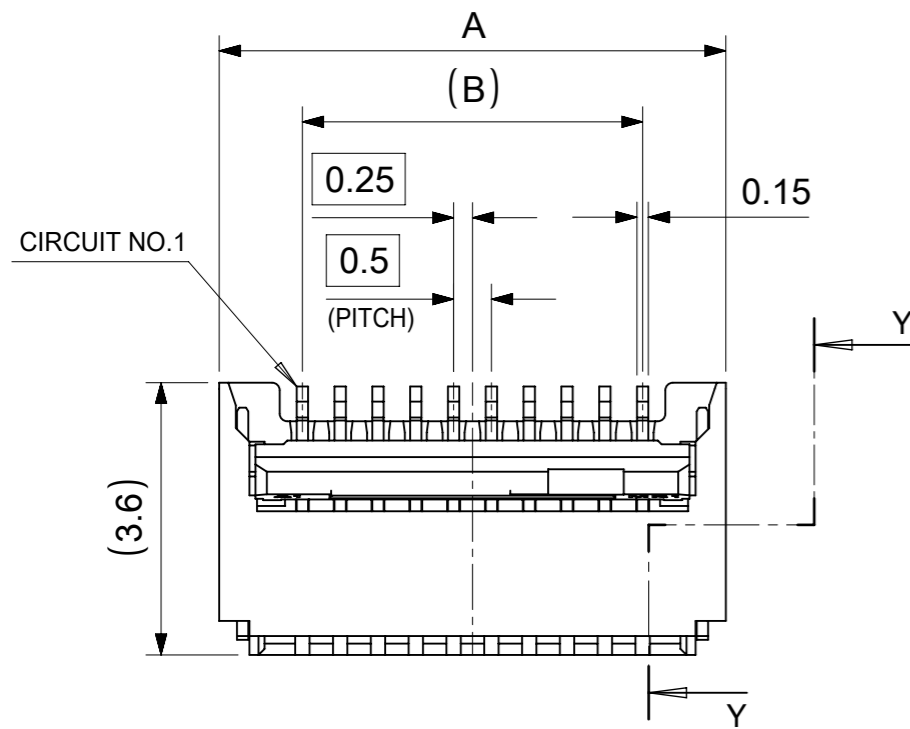
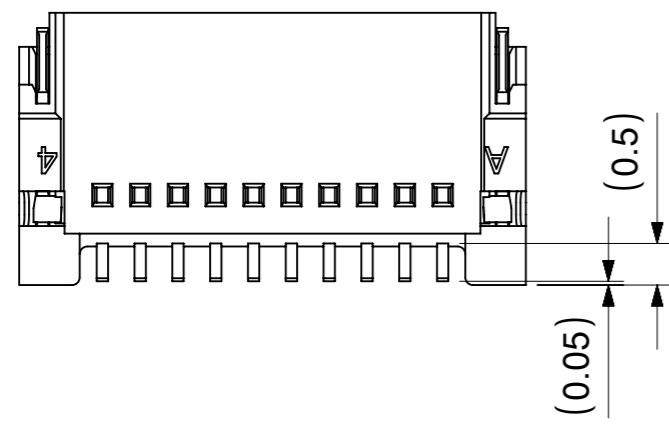
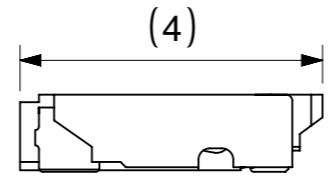
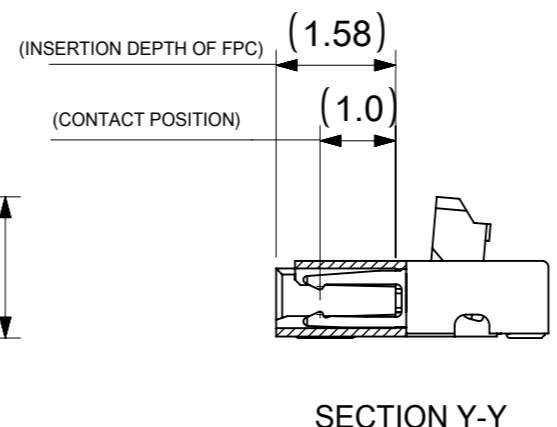
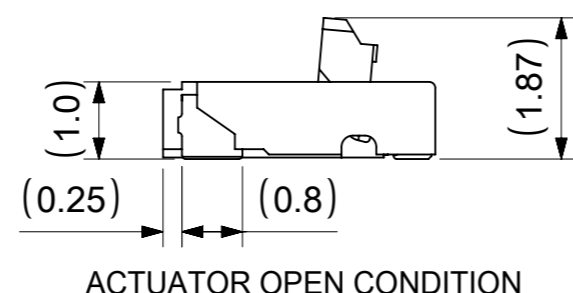
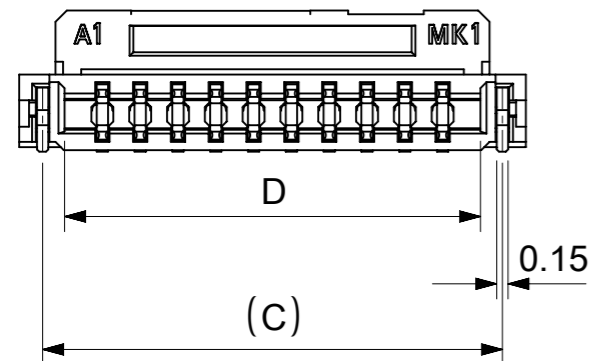


CIRCUIT NO.1



METAL MASK THICKNESS : 0.1mm
 OPENING AREA : TERM.(0.7X0.3)
 NAIL(1.0X0.3)



20.5	21.08	19.5	21.7	503480-4000	40
19.5	20.08	18.5	20.7	503480-3800	38
18.5	19.08	17.5	19.7	503480-3600	36
17.5	18.08	16.5	18.7	503480-3400	34
16.5	17.08	15.5	17.7	503480-3200	32
15.5	16.08	14.5	16.7	503480-3000	30
14.5	15.08	13.5	15.7	503480-2800	28
13.5	14.08	12.5	14.7	503480-2600	26
12.5	13.08	11.5	13.7	503480-2400	24
11.5	12.08	10.5	12.7	503480-2200	22
10.5	11.08	9.5	11.7	503480-2000	20
9.5	10.08	8.5	10.7	503480-1800	18
9.0	9.58	8.0	10.2	503480-1700	17
8.5	9.08	7.5	9.7	503480-1600	16
7.5	8.08	6.5	8.7	503480-1400	14
6.5	7.08	5.5	7.7	503480-1200	12
5.5	6.08	4.5	6.7	503480-1000	10
4.5	5.08	3.5	5.7	503480-0800	8
3.5	4.08	2.5	4.7	503480-0600	6
3.0	3.58	2.0	4.2	503480-0500	5
2.5	3.08	1.5	3.7	503480-0400	4
D	C	B	A	EMBOSSED PACKAGE ORDER NO.	CIRCUIT

CONNECTOR SERIES No. 503480-**09

THIS DRAWING CONTAINS INFORMATION THAT IS PROPRIETARY TO MOLEX ELECTRONIC TECHNOLOGIES, LLC AND SHOULD NOT BE USED WITHOUT WRITTEN PERMISSION

DIMENSION UNITS	SCALE	CURRENT REV DESC:		molex	
mm	1:1				
GENERAL TOLERANCES (UNLESS SPECIFIED)		EC NO: 740220		0.5 FPC CONN. E/O BACKFLIP H=1.0MM ASSEMBLY	
ANGULAR TOL	± 1.0 °	DRWN: NARENC 2023/02/17		PRODUCT CUSTOMER DRAWING	
4 PLACES	± 0.2	CHK'D: HSHIMOYAMA 2023/02/27		DOCUMENT NUMBER	
3 PLACES	± 0.2	APPR: YNAITO 2023/02/27		SD-503480-001	
2 PLACES	± 0.2	INITIAL REVISION:		DOC TYPE	
1 PLACE	± 0.2	DRWN: THIRAYAMA 2009/12/11		PSD	
0 PLACES	± 0.2	APPR: KMORIKAWA 2009/12/14		DOC PART	
DRAFT WHERE APPLICABLE MUST REMAIN WITHIN DIMENSIONS		THIRD ANGLE PROJECTION	DRAWING	SERIES	SHEET NUMBER
			A3-SIZE	503480	1 OF 2

NOTES

1. PART COMPOSITION

HOUSING MATERIAL: LIQUID CRYSTAL POLYMER(LCP), GLASS FILLED, UL94V-0, NATURAL(WHITE)

TERMINAL MATERIAL: PHOSPHOR BRONZE

CONTACT AREA : SEPARATED GOLD PLATING (0.1 MICROMETER MINIMUM)

SOLDER TAIL AREA : SEPARATED GOLD PLATING

UNDERPLATE : NICKEL OVERALL (1.0 MICROMETER MINIMUM)

ACTUATOR MATERIAL : POLYAMIDE(PA), GLASS FILLED, UL94 HB, BLACK

NAIL MATERIAL: PHOSPHOR BRONZE

SOLDER TAIL AREA : TIN OVERALL(1.0 MICROMETER MINIMUM)
UNDERPLATE : NICKEL OVERALL(1.0 MICROMETER MINIMUM)

2. PLEASE DO NOT OPERATE THE ACTUATOR BEFORE MOUNTING.

3. PLEASE OPERATE THE ACTUATOR AFTER INSERTING THE FPC INTO THE CONNECTOR.

4. ABOUT FPC

RECOMMENDED STIFFENER MATERIAL: POLYIMIDE

RECOMMENDED BASE FILM THICKNESS: 25 MICROMETER

RECOMMENDED ADHESIVE: THERMOSETTING ADHESIVE

NOTE: PLEASE PUT APPROPRIATE AMOUNT OF ADHESIVE ON ADHEREND BECAUSE THERE IS A POSSIBILITY THAT THE EXTRA ADHESIVE CAUSES THE DEFECT IN ELECTRICAL CONTINUITY.

RECOMMENDED PUNCHER DIRECTION:

FROM CONDUCTOR SIDE TO STIFFENER FILM SIDE.

RECOMMENDED CONDUCTOR SPECIFICATION:

THICKNESS OF SOFT COPPER FOIL: 35MICROMETER

△5 R0.3 MUST NOT BE OVERLAPPED TO PATTERN OF FPC.

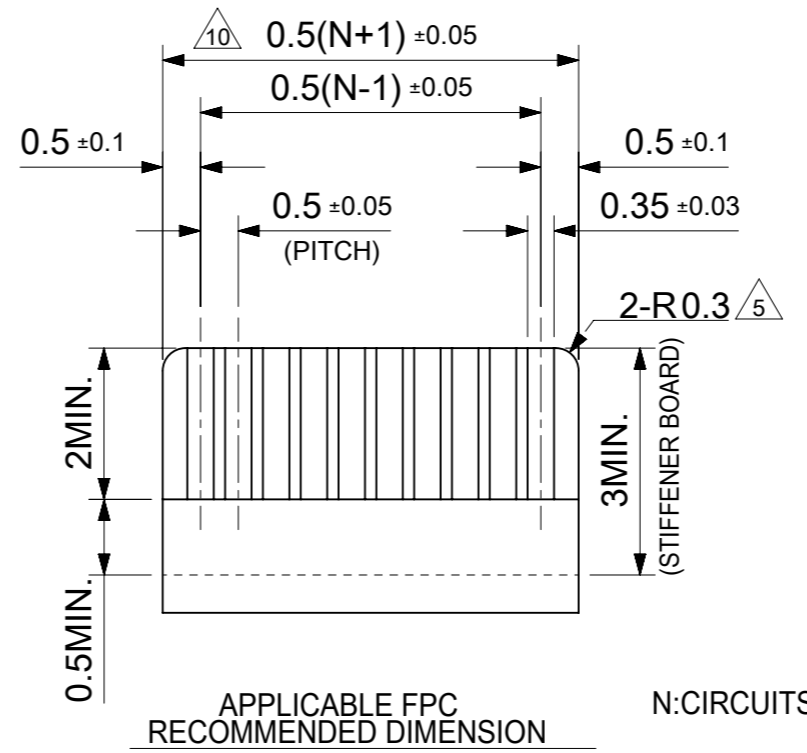
6. COPLANARITY : 0.1 MAXIMUM

7. PLEASE RECOGNIZE A POSSIBILITY TO CHANGE THE SHAPE OF THE PART THAT DOES NOT OBSTRUCT A FUNCTION, BY CIRCUMSTANCES IN OUR PRODUCTION.

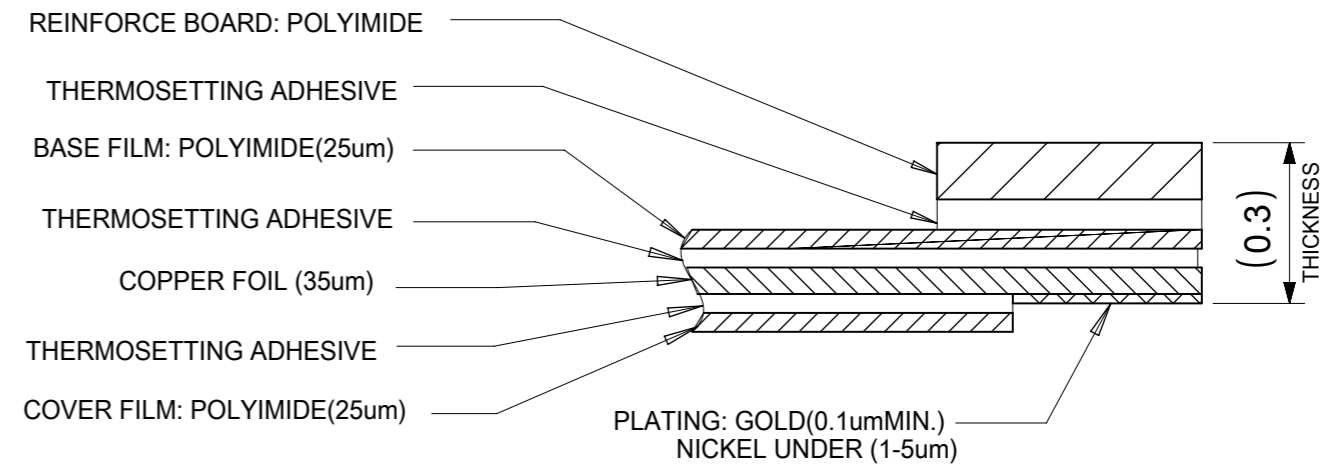
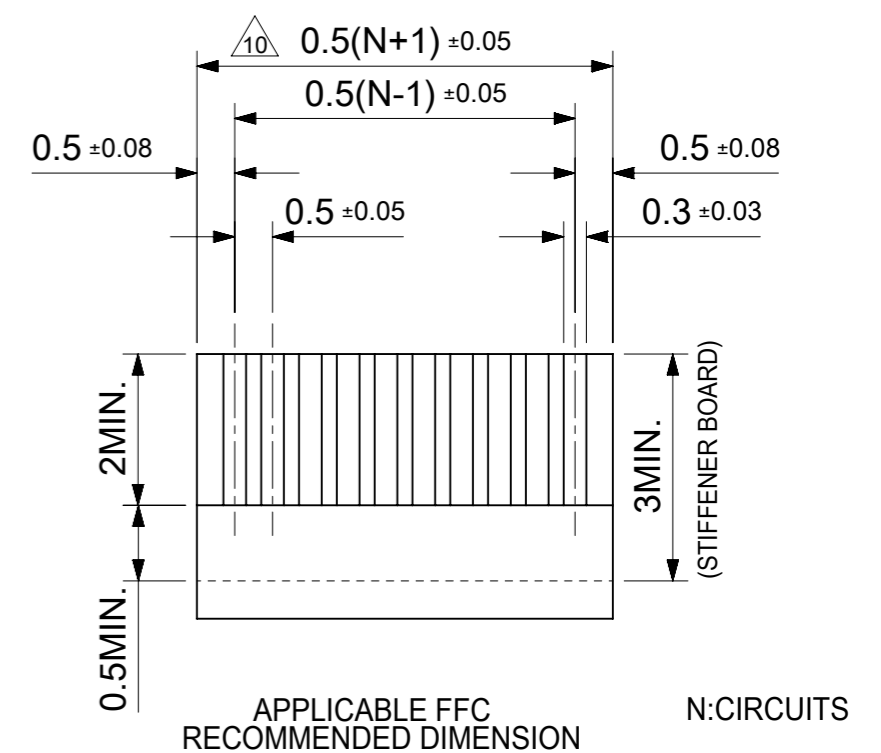
8. THIS PRODUCT IS DELIVERED WITH THE ACTUATOR IN THE OPEN POSITION.

9. THIS PRODUCT IS DUAL-CONTACT (TOP- AND BOTTOM-CONTACTS) TYPE CONNECTOR.

△10 PLEASE CONFIRM TO INSERT FPC IN ADVANCE WHEN FPC WIDTH IS OVER $0.5(N+1)+0.02$.

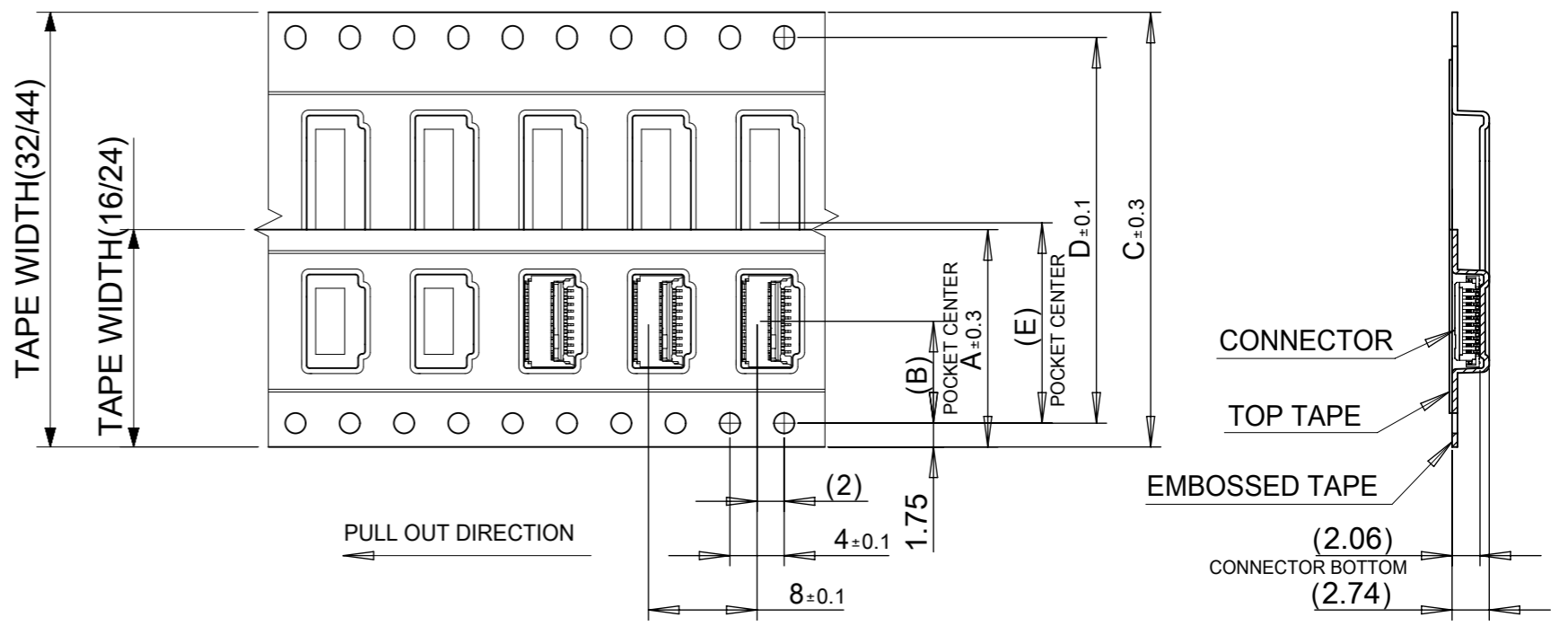
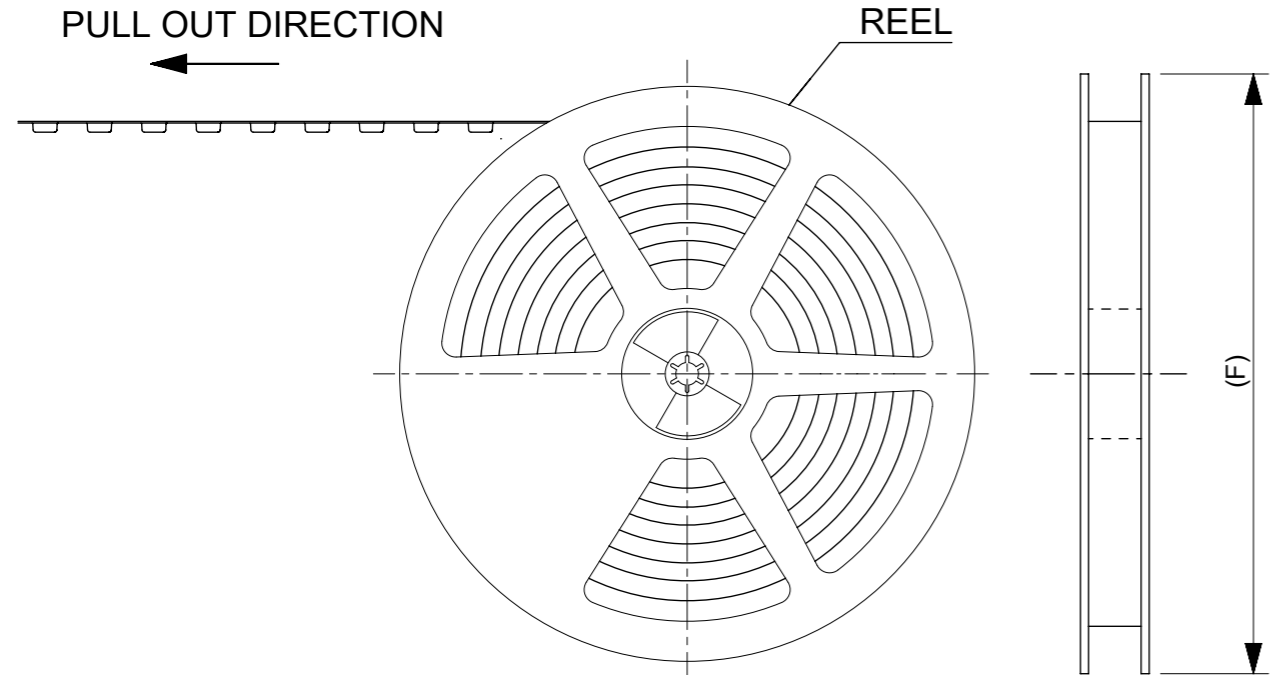


(THICKNESS : 0.3±0.05) : 30 OR LESS CIRCUITS
(THICKNESS : 0.3±0.03) : 31 OR OVER CIRCUITS



STRUCTURE OF FPC

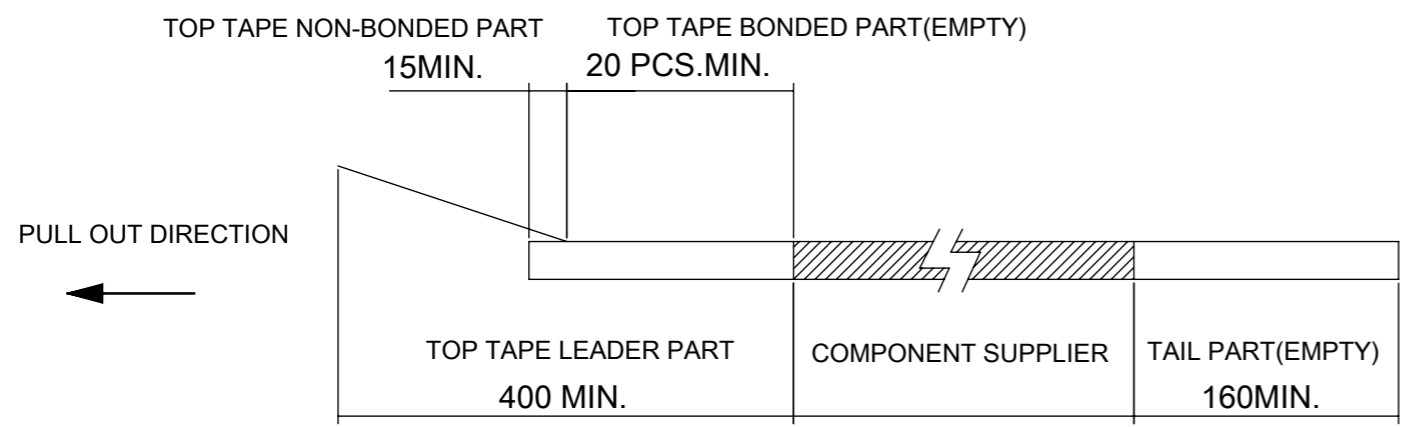
THIS DRAWING CONTAINS INFORMATION THAT IS PROPRIETARY TO MOLEX ELECTRONIC TECHNOLOGIES, LLC AND SHOULD NOT BE USED WITHOUT WRITTEN PERMISSION									
DIMENSION UNITS		SCALE		CURRENT REV DESC:				molex	
mm		1:1							
GENERAL TOLERANCES (UNLESS SPECIFIED)				EC NO: 740220				0.5 FPC CONN. E/O	
ANGULAR TOL ± 1.0 °				DRWN: NARENC 2023/02/17				BACKFLIP H=1.0MM ASSEMBLY	
4 PLACES ± 0.2				CHK'D: HSHIMUYAMA 2023/02/27				PRODUCT CUSTOMER DRAWING	
3 PLACES ± 0.2				APPR: YNAITO 2023/02/27				DOCUMENT NUMBER	
2 PLACES ± 0.2				INITIAL REVISION:				DOC TYPE	
1 PLACE ± 0.2				DRWN: THIRAYAMA 2009/12/11				DOC PART	
0 PLACES ± 0.2				APPR: KMORIKAWA 2009/12/14				REVISION	
DRAFT WHERE APPLICABLE MUST REMAIN WITHIN DIMENSIONS				THIRD ANGLE PROJECTION		DRAWING		SHEET NUMBER	
				A3-SIZE		SERIES		MATERIAL NUMBER	
				503480		CUSTOMER		SEE TABLE	
						GENERAL MARKET		2 OF 2	



DIRECTION OF CONNECTOR IN EMBOSSSED TAPE

NOTES

1. IN THE PACKAGE, PART NO.503480-**09 DETAILED DIMENSIONS. REFER TO SD-503480-001
2. NUMBER OF CONNECTORS : 3000PCS/REEL
3. LEAD TAPE LENGTH



4. MATERIAL

CARRIER TAPE : PET
 TOP TAPE : PET,OTHER
 REEL : PS (RECYCLE MATERIAL CONTAINED)

5. COVER TAPE PEEL FORCE IS DEFINED BY IEC60286-3.

F	E	D	C	B	A	TAPE WIDTH	ORDER NO.	CIRCUIT
380	20.2	40.4	44	-	-	44	503480-4000	(E1) 40
							503480-3800	(E1) 38
							503480-3600	(E1) 36
							503480-3400	(E1) 34
330	14.2	28.4	32	-	-	32	503480-3200	32
							503480-3000	(E1) 30
380	-	-	-	11.5	24	24	503480-2800	(E1) 28
							503480-2600	26
							503480-2400	24
							503480-2200	22
							503480-2000	20
							503480-1800	18
							503480-1700	17
							503480-1600	16
							503480-1400	14
							503480-1200	12
330	-	-	-	7.5	16	16	503480-1000	10
							503480-0800	8
							503480-0600	6
							503480-0500	5
							503480-0400	4

THIS DRAWING CONTAINS INFORMATION THAT IS PROPRIETARY TO MOLEX ELECTRONIC TECHNOLOGIES, LLC AND SHOULD NOT BE USED WITHOUT WRITTEN PERMISSION

FUNCTIONAL SYMBOLS

THIS DRAWING DIMENSION UNITS SCALE

mm NTS

GENERAL TOLERANCES (UNLESS SPECIFIED)

ANGULAR TOL ± 3.0°

4 PLACES ±

3 PLACES ±

2 PLACES ±

1 PLACE ±

0 PLACES ±

DIVISIONAL SYMBOLS

DRAFT WHERE APPLICABLE MUST REMAIN WITHIN DIMENSIONS

THIRD ANGLE PROJECTION

DRAWING A3-SIZE

SERIES 503480

MATERIAL NUMBER SEE TABLE

CUSTOMER GENERAL MARKET

SHEET NUMBER 1 OF 1

EC NO: 676145

DRWN: ICYANG 2021/07/21

CHK'D: SHCHU 2021/09/02

APPR: SHCHU 2021/09/02

INITIAL REVISION:

DRWN: THIRAYAMA 2009/12/11

APPR: KMORIKAWA 2009/12/14

DOCUMENT NUMBER SD-503480-002

DOC TYPE PSD

DOC PART 001

REVISION E2

molex

0.5 FPC CONN. E/O
EMBOSSSED TAPE PACKAGE

PRODUCT CUSTOMER DRAWING

(E2)	10 UNDER : ±0.20
	10 OVER 30 UNDER : ±0.25
	30 OVER : ±0.30