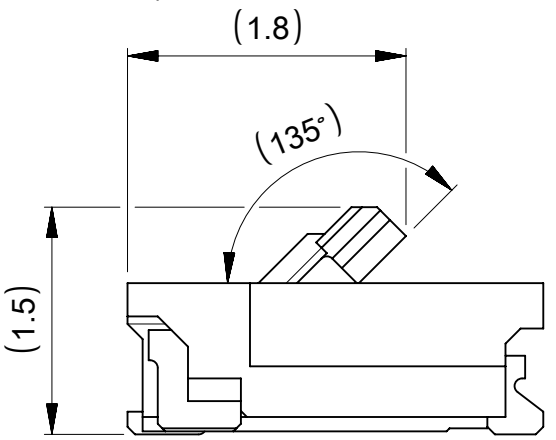
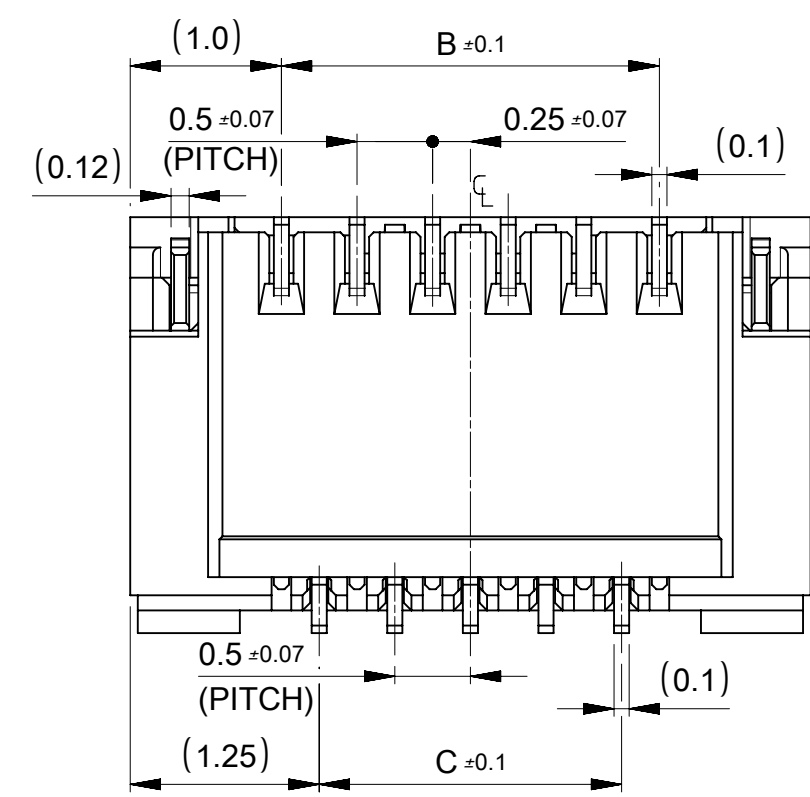
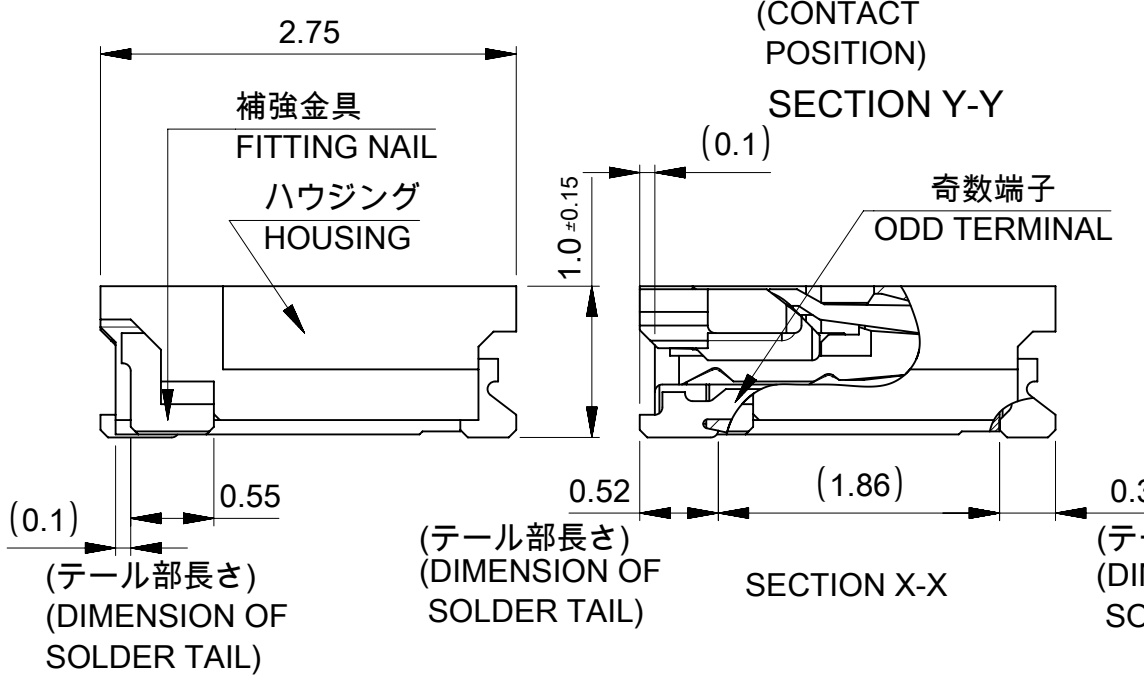
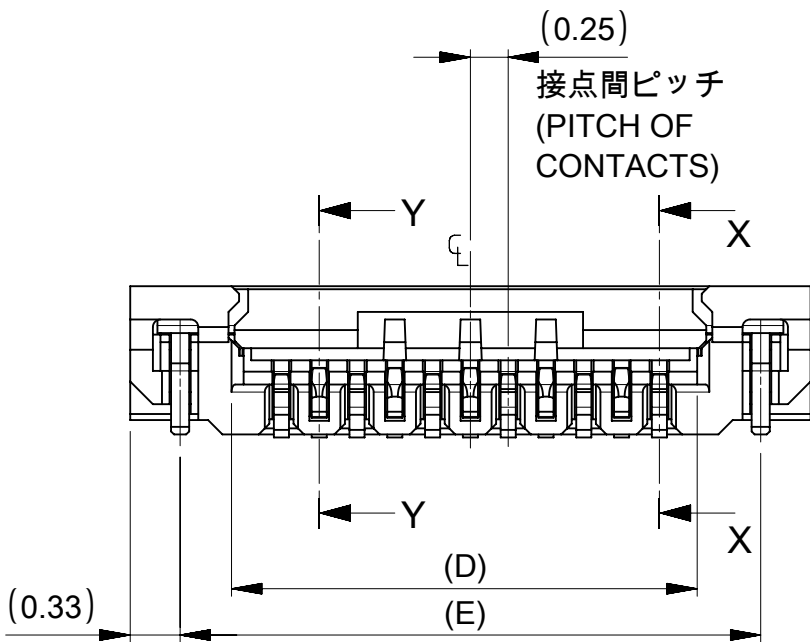


注記 NOTES

1. 使用材料 MATERIALS
- ハウジング : 耐熱性樹脂(UL94V-0、ベージュ)
 - アクチュエータ : 耐熱性樹脂(UL94HB、黒色)
 - 奇数端子 : 銅合金、ニッケル下地、金メッキ
 - 偶数端子 : 銅合金、ニッケル下地、金メッキ
 - 補強金具 : 銅合金、ニッケル下地、スズメッキ
 - HOUSING : G.F. HEAT RESISTANCE PLASTIC (BEIGE)
 - ACTUATOR : G.F. HEAT RESISTANCE PLASTIC (BLACK)
 - ODD TERMINAL : COPPER ALLOY, Gold OVER Nickel PLATING
 - EVEN TERMINAL : COPPER ALLOY, Gold OVER Nickel PLATING
 - FITTING NAIL : COPPER ALLOY, Tin OVER Nickel PLATING
2. 端子、補強金具のコプラナリティーは 以下とする
COPLANARITY OF SOLDER TAILS AND FITTING NAILS : 0.1MAX.
3. 一般公差 : ± 0.3
GENERAL TOLERANCES: ±>0.3
4. アクチュエータの図示箇所にゲート逃げの凹みがつきます
THERE ARE DENT SHAPES AT ACTUATOR FOR MOLDING GATE
5. ELV 及び RoHS 適合品
ELV AND RoHS COMPLIANT
6. 塩素系・臭素系難燃剤非使用
CHLORINATED AND BROMINATED FLAME RETARDANTS FREE



アクチュエータ開放位置
ACTUATOR OPENING POSITION

13.84	13	12	12.5	14.5	502078-5110	502078-5118	51
9.34	8.5	7.5	8	10	502078-3310	502078-3318	33
7.34	6.5	5.5	6	8	502078-2510	502078-2518	25
6.34	5.5	4.5	5	7	502078-2110	502078-2118	21
5.34	4.5	3.5	4	6	502078-1710	502078-1718	17
E	D	C	B	A	ORDER NO.	MATERIAL NO.	CKT.=N

502078-**18 MODEL NO.

THIS DRAWING CONTAINS INFORMATION THAT IS PROPRIETARY TO MOLEX ELECTRONIC TECHNOLOGIES, LLC AND SHOULD NOT BE USED WITHOUT WRITTEN PERMISSION

SCALE: 20:1

GENERAL TOLERANCES (UNLESS SPECIFIED)

	MM	INCH
4 PLACES ±	±	±
3 PLACES ±	±	±
2 PLACES ±	±	±
1 PLACE ±	±	±
0 PLACES ±	±	±
ANGULAR TOL	± 1.0°	

EC NO: 632260
DRWN: RPRABHUM 2020/01/29
CHK'D: GGA 2020/02/28
APPR: GGA 2020/02/28

INITIAL REVISION:
DRWN: YFUJITA 2008/12/15
APPR: AHORINO 2008/12/15

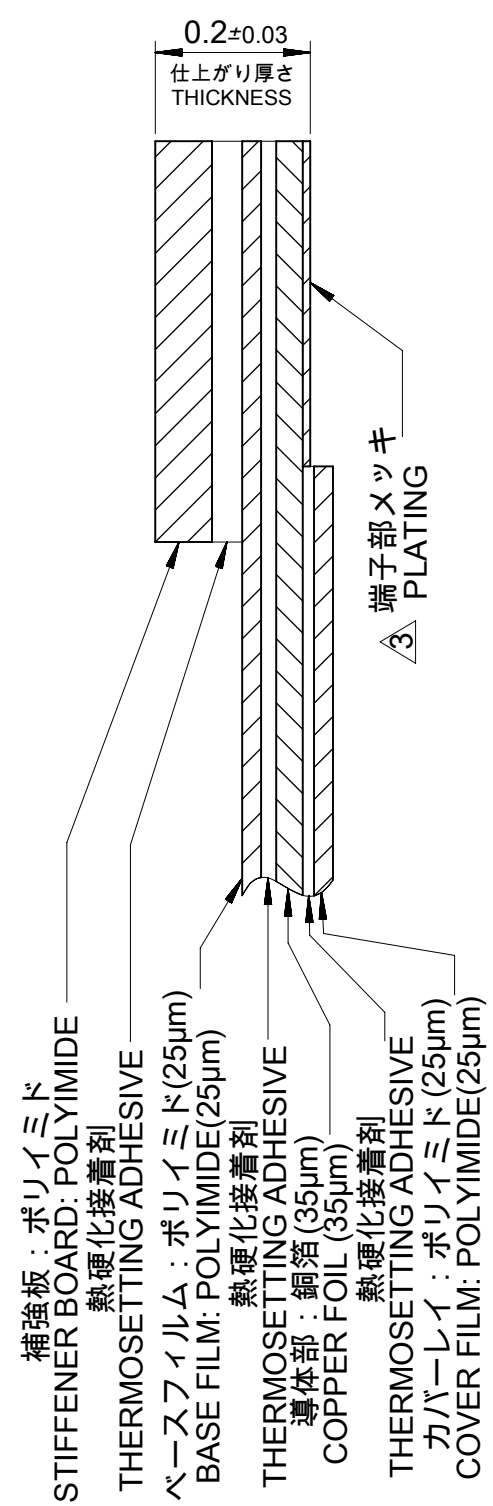
THIRD ANGLE PROJECTION

DRAFT WHERE APPLICABLE MUST REMAIN WITHIN DIMENSIONS

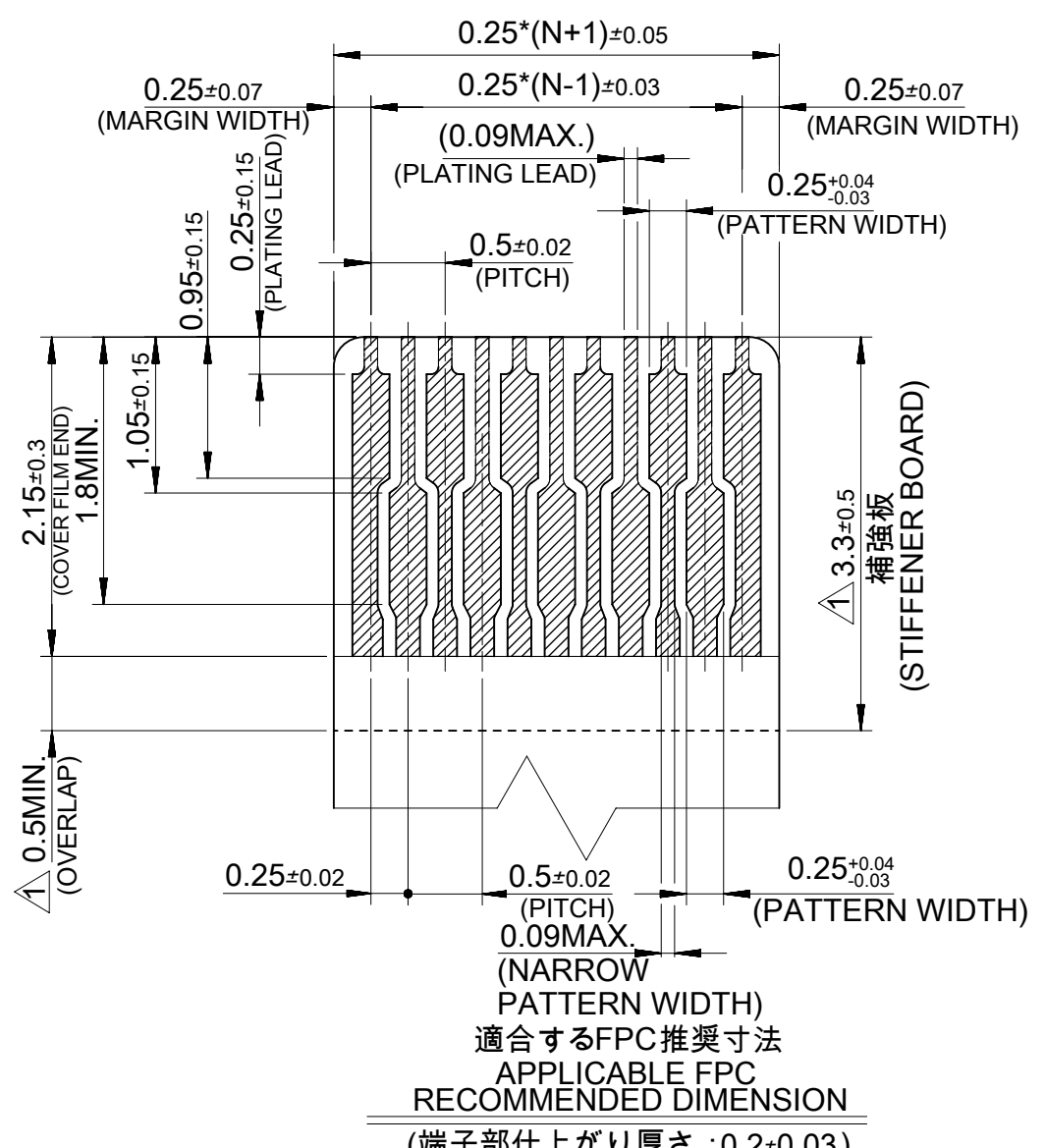
DOCUMENT NUMBER: SD-502078-003
DOC TYPE: PSD
DOC PART: 001
REVISION: D

PRODUCT CUSTOMER DRAWING

MATERIAL NUMBER: SEE CHART
CUSTOMER: GENERAL MARKET
SHEET NUMBER: 1 OF 2



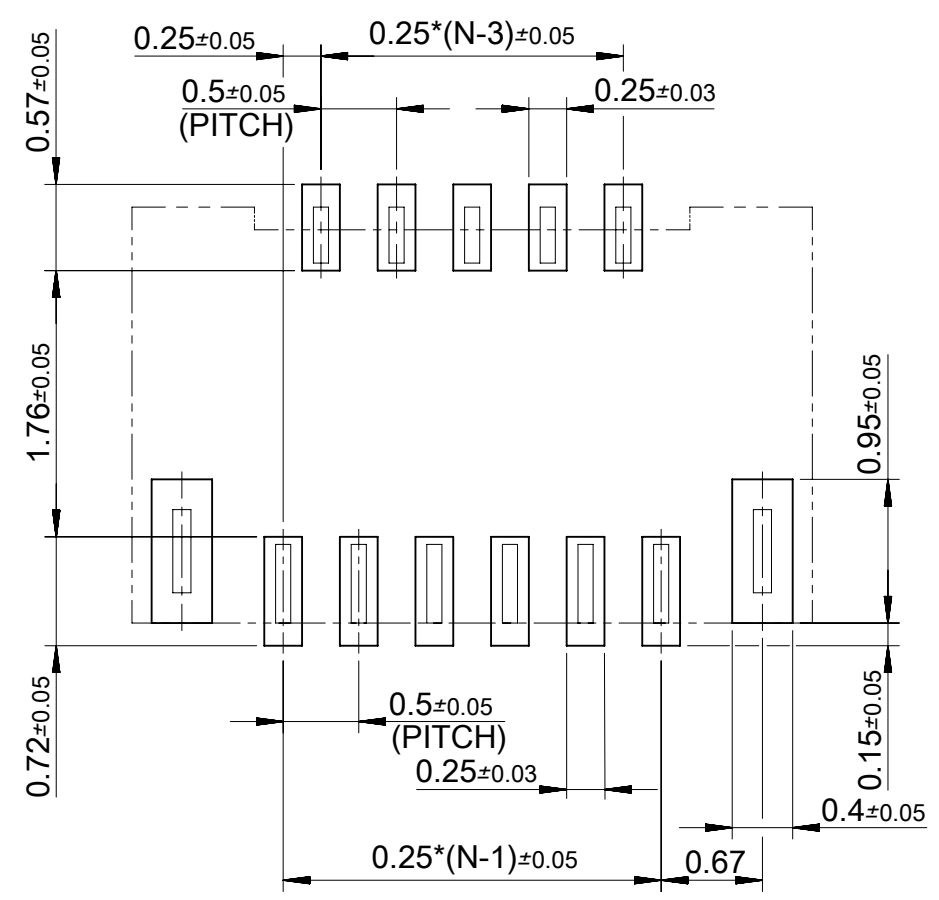
FPC構成材料例
EXAMPLE OF FPC COMPOSITION MATERIAL



適合するFPC推奨寸法
APPLICABLE FPC
RECOMMENDED DIMENSION
(端子部仕上がり厚さ : 0.2±0.03)
(THICKNESS: 0.2±0.03)

注記 NOTES

- 1 補強板長さが図面通り確保できない場合は、カバーレイと補強板のオーバーラップ寸法を0.5mm 以上としてください
WHEN STIFFENER BOARD DIMENSION CAN NOT SECURE AS DRAWING, PLEASE GIVE THE OVERLAP SIZE OF COVER FILM AND STIFFENER BOARD AS 0.5mm MINIMUM
- 2 推奨ペースト厚 : 100μm
推奨マスク開口率: 80%
RECOMMEND SCREEN THICKNESS : 100μm
RECOMMEND SCREEN OPEN RATIO : 80%



FPC挿入側
FPC INSERTION SIDE
参考基板レイアウト
RECOMMENDED PCB
PATTERN DIMENSIONS (REF.)

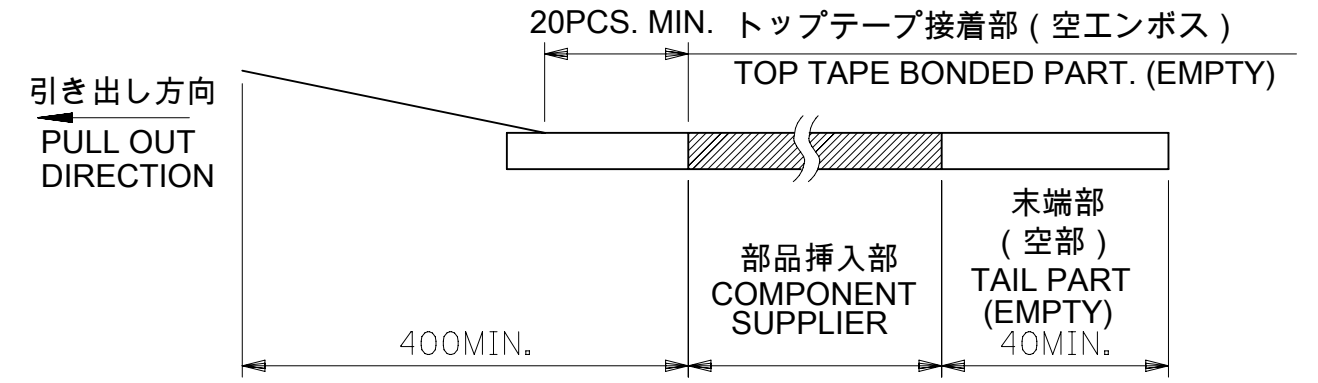
- 3 FPCパターンのメッキ仕様は
金メッキ : 0.1μm 以上
下地ニッケルメッキ : 2~6μm
FPC PATTERN PLATING
GOLD PLATING : 0.1μm MINIMUM
NICKEL UNDER PLATING : 2~6μm

- 4 FPCについて(ABOUT FPC)
抜き方向は、導体側から補強板側を推奨します
補強板材質は、ポリイミドを推奨します
接着剤は熱硬化接着剤を推奨します
なお、接着剤の接点部への付着は導通不良の原因となりますので染み出しがないよう、お願いします
RECOMMENDED PUNCHER DIRECTION:
FROM CONDUCTOR SIDE TO STIFFENER BORAD SIDE
RECOMMENDED MATERIAL:
STIFFENER BOARD: POLYIMIDE
BONDING AGENT: THERMOSETTING AGENT
PLEASE PUT APPROPRIATE AMOUNT OF ADHESIVE ON THE CONTACT AREA BECAUSE THE EXTRA ADHESIVE MAY CAUSE THE DEFECT IN ELECTRICAL CONTINUITY

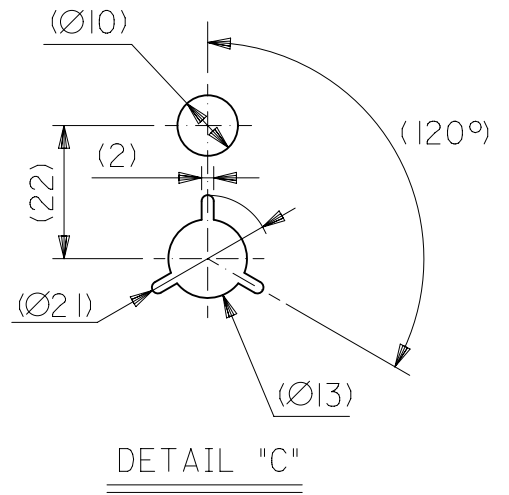
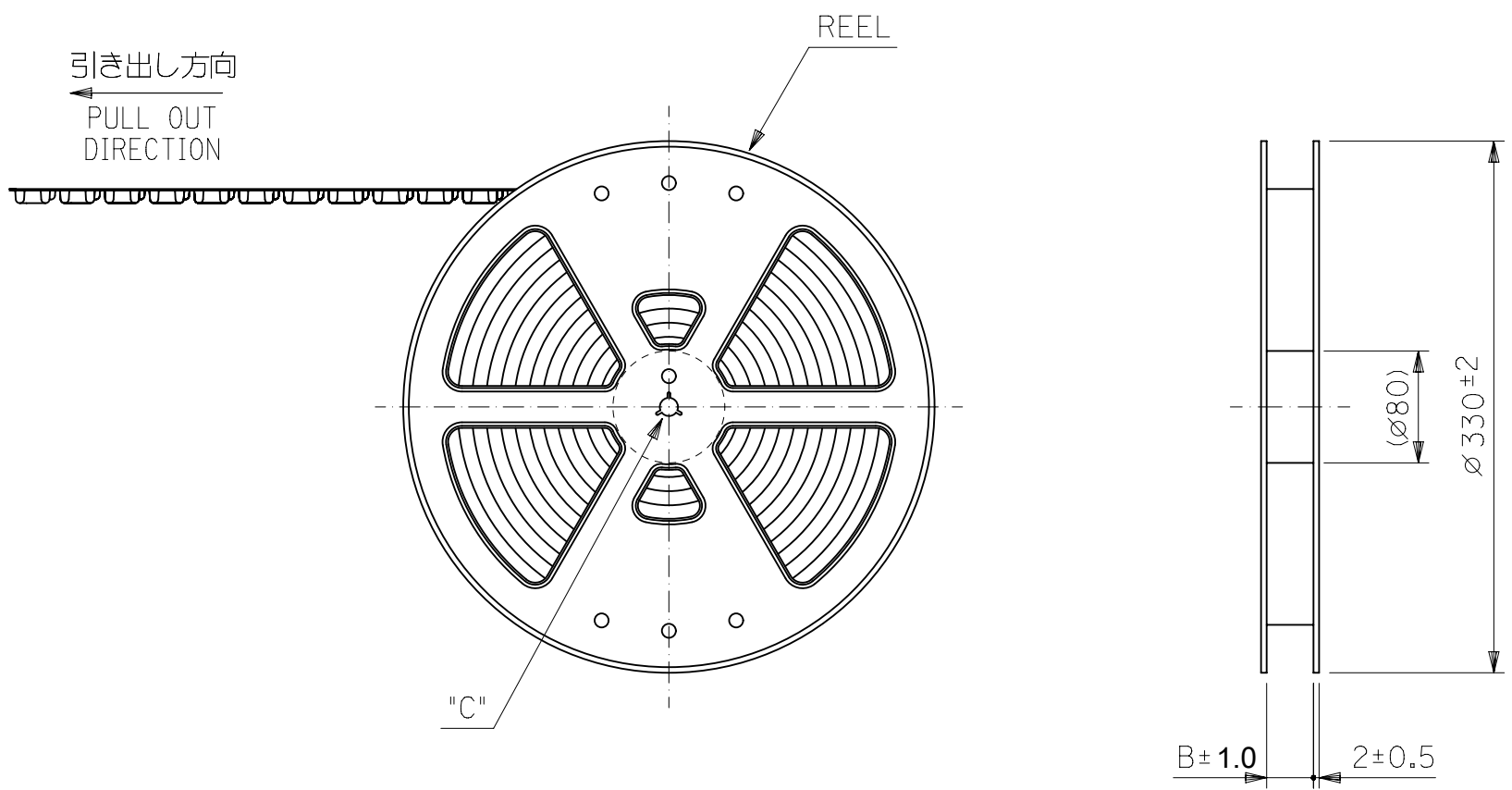
THIS DRAWING CONTAINS INFORMATION THAT IS PROPRIETARY TO MOLEX ELECTRONIC TECHNOLOGIES, LLC AND SHOULD NOT BE USED WITHOUT WRITTEN PERMISSION		CURRENT REV DESC: OBSOLETE PART NO.		molex	
DIMENSION UNITS: mm		SCALE: 20:1			
GENERAL TOLERANCES (UNLESS SPECIFIED)				0.25 PITCH FPC CONN E/O HGT=1.0 BTM CONTACT TYPE	
				PRODUCT CUSTOMER DRAWING	
4 PLACES ±				DOCUMENT NUMBER: SD-502078-003	
3 PLACES ±				DOC TYPE: PSD	
2 PLACES ±				DOC PART: 001	
1 PLACE ±				REVISION: D	
0 PLACES ±					
ANGULAR TOL ± 1.0°					
DRAFT WHERE APPLICABLE MUST REMAIN WITHIN DIMENSIONS		THIRD ANGLE PROJECTION		SHEET NUMBER: 2 OF 2	
		DRAWING: A3-SIZE		SERIES: 502078	
DOCUMENT STATUS: P1		RELEASE DATE: 2020/02/28 02:41:32		MATERIAL NUMBER: SEE CHART	
				CUSTOMER: GENERAL MARKET	

注記 NOTES

- 製品詳細寸法については図面 SD-502078-003 を参照下さい。
RE DETAILED DIMENSION, SEE SD-502078-003
- 梱包数量 : 3000個 / リール
NUMBER OF CONNECTORS : 3000 PCS/REEL
- リードテープ長さ LEAD TAPE LENGTH



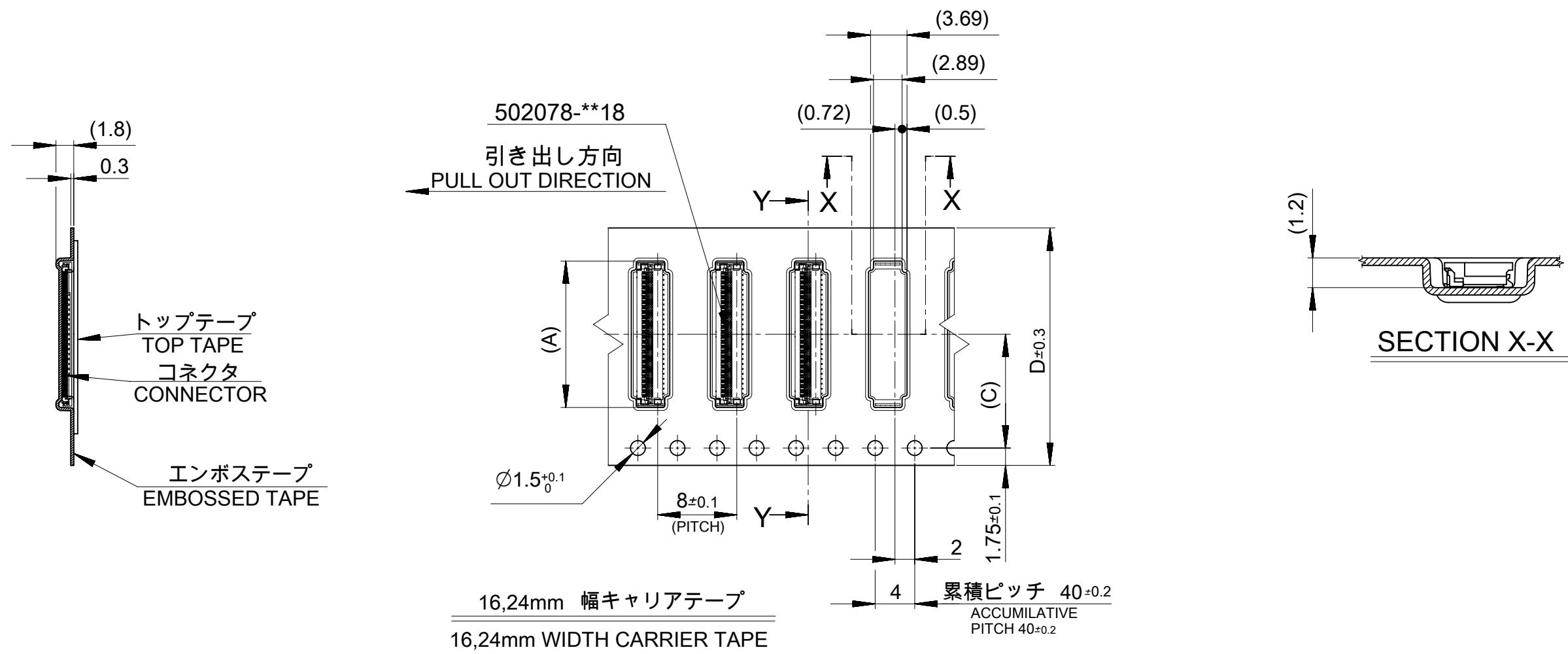
- 材料 MATERIAL
 キャリアテープ (CARRIER TAPE) : ポリスチレン (POLYSTYRENE)
 トップテープ (TOP TAPE) : PET, PE, PEF
 リール (REEL) : ポリスチレン (PS) <リサイクル材を含む>
 POLYSTYRENE (PS) <RECYCLE MATERIAL CONTAINED>



MODEL NO. 502078-**10

THIS DRAWING CONTAINS INFORMATION THAT IS PROPRIETARY TO MOLEX ELECTRONIC TECHNOLOGIES, LLC AND SHOULD NOT BE USED WITHOUT WRITTEN PERMISSION		CURRENT REV DESC: OBSOLETE PART NO.		molex	
DIMENSION UNITS: mm		SCALE: 1:1			
GENERAL TOLERANCES (UNLESS SPECIFIED)		EC NO: 632260		0.25 FPC CONN E/O	
		DRWN: RPRABHUM 2020/02/12		HSG ASSY EMBOSSED TAPE PACKAGE	
		CHK'D: GGA 2020/02/28		PRODUCT CUSTOMER DRAWING	
		APPR: GGA 2020/02/28		DOCUMENT NUMBER	
		INITIAL REVISION:		SD-502078-004	
		DRWN: YFUJITA 2008/12/15		DOC TYPE	
		APPR: AHORINO 2008/12/15		PSD	
		ANGULAR TOL ± 1.0°		DOC PART	
		DRAFT WHERE APPLICABLE MUST REMAIN WITHIN DIMENSIONS		001	
		THIRD ANGLE PROJECTION		REVISION	
		DRAWING		A	
		SERIES		SHEET NUMBER	
		A3-SIZE		1 OF 2	
		502078		MATERIAL NUMBER	
		SEE CHART		CUSTOMER	
		GENERAL MARKET			

GENERAL TOLERANCES (UNLESS SPECIFIED)	
10 ^{UNDER}	±0.2
10 ^{OVER} 30 ^{UNDER}	±0.25
30 ^{OVER}	±0.3

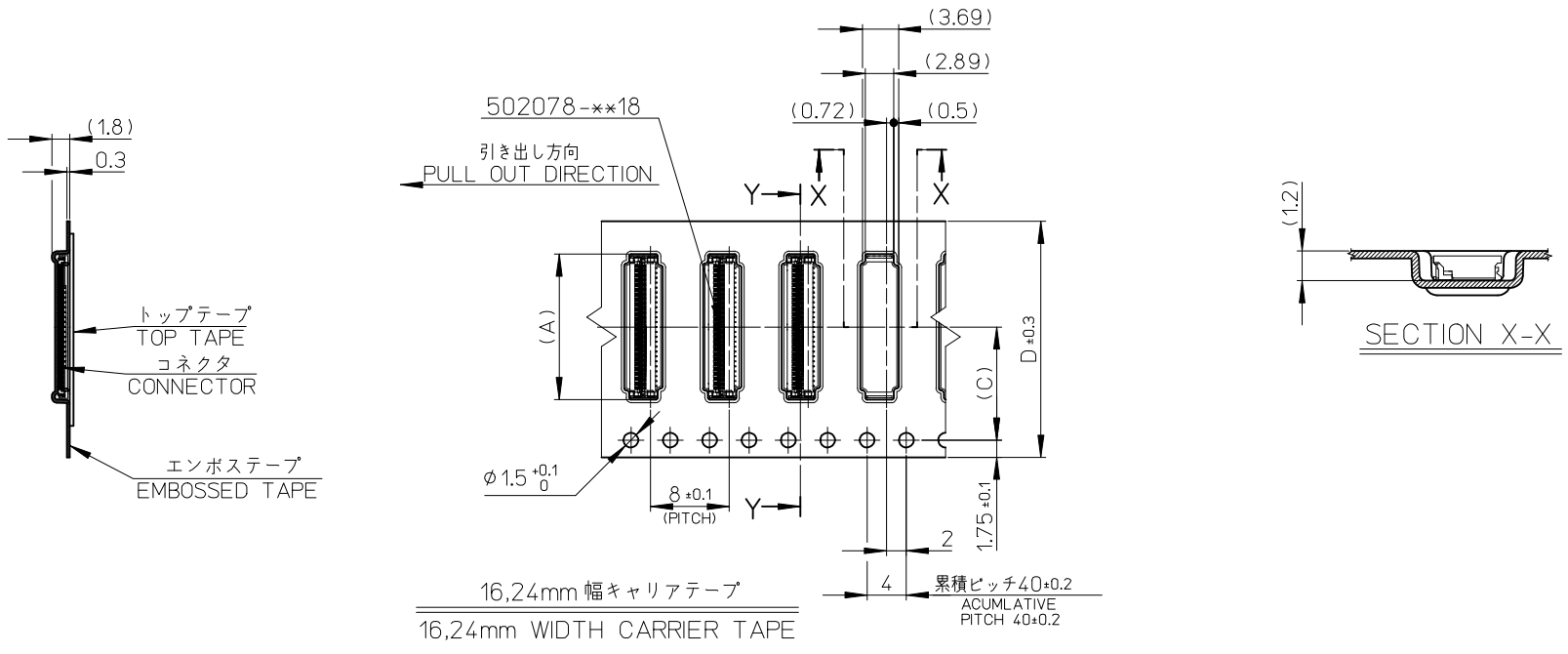


24	11.5	25.4	14.8	502078-5110	51	
			10.3	502078-3310	33	
			8.3	502078-2510	25	
			7.3	502078-2110	21	
16	7.5	17.4	6.3	502078-1710	17	
D キャリアテープ幅 CARRIER TAPE WIDTH		C	B	(A)	製品番号 MATERIAL NO.	極数 CKT.
			MODEL NO.		502078-**10	

THIS DRAWING CONTAINS INFORMATION THAT IS PROPRIETARY TO MOLEX ELECTRONIC TECHNOLOGIES, LLC AND SHOULD NOT BE USED WITHOUT WRITTEN PERMISSION

DIMENSION UNITS	SCALE	CURRENT REV DESC: OBSOLETE PART NO.			
mm	5:1	molex 0.25 FPC CONN E/O HSG ASSY EMBOSSED TAPE PACKAGE PRODUCT CUSTOMER DRAWING			
GENERAL TOLERANCES (UNLESS SPECIFIED)					
4 PLACES	±	EC NO: 632260	DOCUMENT NUMBER		
3 PLACES	±	DRWN: RPRABHUM	2020/02/12	DOC TYPE	DOC PART
2 PLACES	±	CHK'D: GGA	2020/02/28	PSD	001
1 PLACE	±	APPR: GGA	2020/02/28	REVISION	
0 PLACES	±	INITIAL REVISION:	SD-502078-004		
ANGULAR TOL ± 1.0°		DRWN: YFUJITA	2008/12/15	A	
DRAFT WHERE APPLICABLE MUST REMAIN WITHIN DIMENSIONS		APPR: AHORINO	2008/12/15	SHEET NUMBER	
THIRD ANGLE PROJECTION		DRAWING	SERIES	MATERIAL NUMBER	CUSTOMER
A3-SIZE		A3-SIZE	502078	SEE CHART	GENERAL MARKET

GENERAL TOLERANCES (UNLESS SPECIFIED)		
10 ^{UNDER}	±0.2	
10 ^{OVER} 30 ^{UNDER}	±0.25	
30 ^{OVER}	±0.3	



24	11.5	25.4	14.8	502078-5110	51
			11.8	502078-3910	39
			10.3	502078-3310	33
			8.3	502078-2510	25
			7.3	502078-2110	21
16	7.5	17.4	6.3	502078-1710	17
D キャリアテープ幅 CARRIER TAPE WIDTH	C	B	(A)	製品番号 MATERIAL NO.	極数 CKT.
MODEL NO.			502078-**10		

RELEASED EC NO: J2009-1529 DRWN: YFUJITA 2008/12/15 CHKD: TKANEKO 2008/12/15 APPR: TKANEKO 2008/12/15 REV: 0	DESCRIPTION GENERAL TOLERANCES (UNLESS SPECIFIED) 10 UNDER ±0.2 10 OVER 30 UNDER ±0.25 30 OVER ±0.3 ANGULAR ±1 ° DRAFT WHERE APPLICABLE MUST REMAIN WITHIN DIMENSIONS	DIMENSION STYLE MM ONLY		SCALE	DESIGN UNITS	TITLE 0.25MM FPC CONN E/O HSG ASSY EMBOSSED TAPE PACKAGE MOLEX INCORPORATED DOCUMENT NO. SD-502078-004 SHEET NO. 2 OF 2
		DRAWN BY DATE		1:1	METRIC	
		YFUJITA 2008/12/15		THIRD ANGLE PROJECTION		
		CHECKED BY DATE		SEE CHART		
		TKANEKO 2008/12/15		MATERIAL NO.		
APPROVED BY DATE		AHORINO 2008/12/15		THIS DRAWING CONTAINS INFORMATION THAT IS PROPRIETARY TO MOLEX INCORPORATED AND SHOULD NOT BE USED WITHOUT WRITTEN PERMISSION		