

## DESCRIPTION

The EV2663-C-00A is an evaluation board for the MP2663, a highly-integrated single-cell Li-Ion/Li-Polymer battery charger with system power path management, targeted at space limited portable applications. It takes input power from either an AC adapter or a USB port to supply the system load and charge the battery independently. The charger section features pre-charge, constant current (CC) and constant voltage (CV) regulation, charge termination and charge status.

EV2663 ensures the continuous power to the system by automatically selecting the input, the battery or both to power the system.

EV2663 provides system short circuit protection to prevent the Li-Ion battery from being damaged due to excessive high current.

EV2663 cuts off the path between battery and system when battery UVLO to prevent the Li-Ion battery from being overly discharged.

Through the I2C connector on EV2663, the customer can program the charging parameters, such as: input current limit, input voltage regulation limit, charging current, battery regulation voltage, and battery UVLO.

## ELECTRICAL SPECIFICATION

Parameter	Symbol	Value	Units
Input Voltage	V <sub>IN</sub>	4.35 - 5.5	V
Battery Voltage	V <sub>BATT</sub>	3.60 - 4.545	V
Input Current Limit	I <sub>IN_LIM</sub>	85 - 455	mA
Charge Current	I <sub>CC</sub>	8 - 535	mA
Discharge Current	I <sub>DSCHG</sub>	400 - 3200	mA

## FEATURES

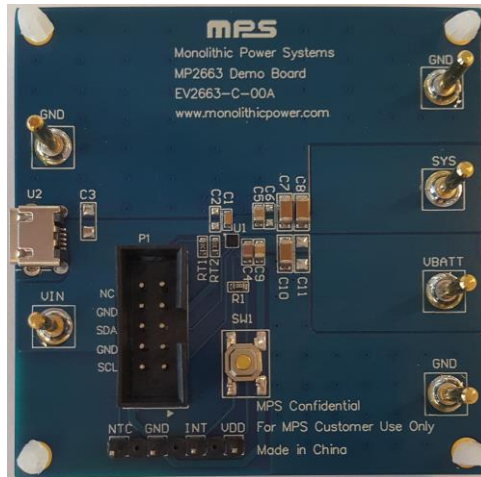
- Fully Autonomous Charger for Single-Cell Li-Ion/Polymer Batteries
- Current Limit for USB Port
- Complete Power Path Management for Simultaneously Powering the System and Charging the Battery
- 0.5% Charging Voltage Accuracy
- 13V Maximum Voltage for the Input Source
- I<sup>2</sup>C Interface for Setting charging Parameters and Status Reporting
- Robust Charging Protection Including Battery Temperature Monitor and Programmable Timer
- Battery Disconnection Function

## APPLICATIONS

- Wearable devices
- Smart Handheld Devices
- Fitness Accessories
- Smart Watches

All MPS parts are lead-free, halogen free, and adhere to the RoHS directive. For MPS green status, please visit MPS website under Quality Assurance. "MPS" and "The Future of Analog IC Technology" are Registered Trademarks of Monolithic Power Systems, Inc.

## EV2663-C-00A EVALUATION BOARD

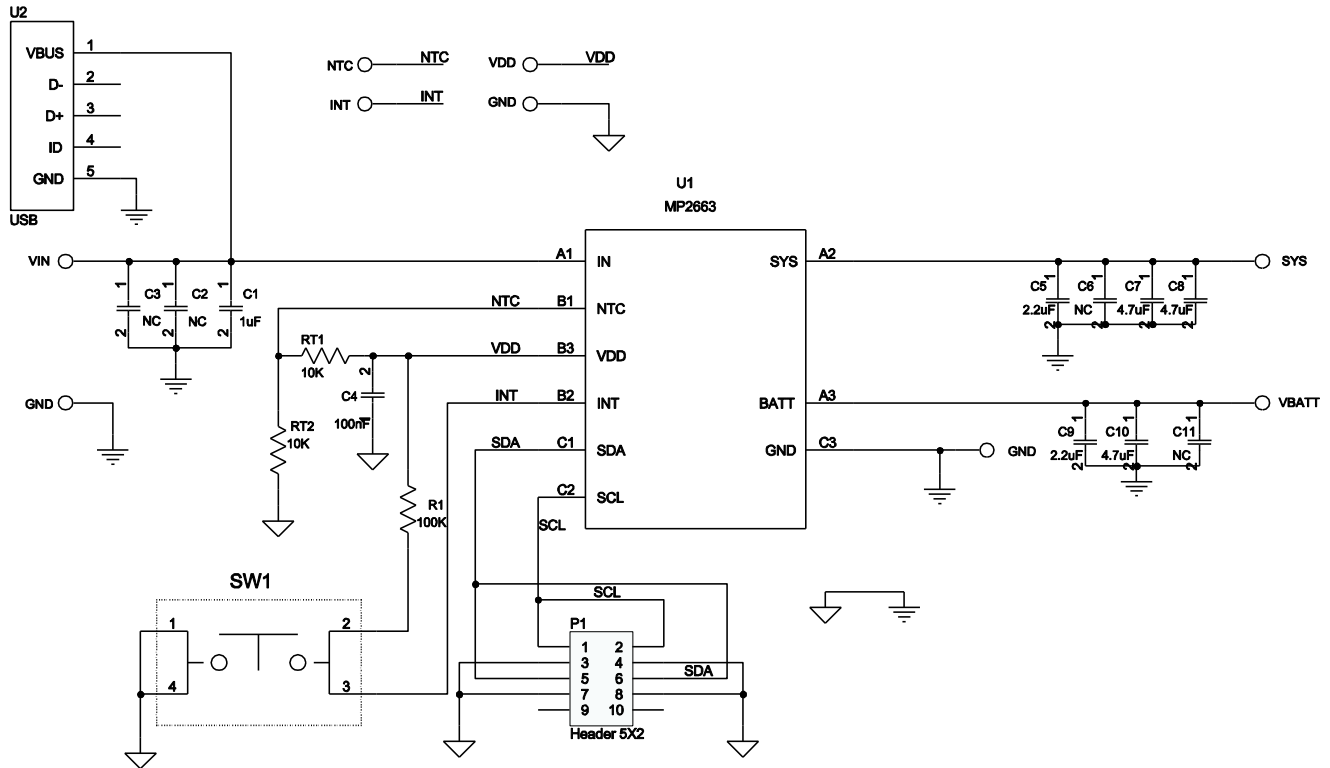


**(L x W x H) 2.5" x 2.5" x 0.063"**  
**(6.35cm x 6.35cm x 0.16cm)**

Board Number	MPS IC Number
EV2663-C-00A	MP2663GC-xxxx*

\*: "xxxx" is the register setting option. The factory default is "0000". This content can be viewed in I<sup>2</sup>C register map. For customer options, please contact an MPS FAE to obtain an "XXXX" value.

## EVALUATION BOARD SCHEMATIC



## EV2663-C-00A BILL OF MATERIALS

Qty	Ref	Value	Description	Package	Manufacturer	Part Number
1	C1	1 $\mu$ F	Ceramic Cap;25V; X7R;0603;	0603	muRata	GRM188R71E105KA12D
2	C5, C9	2.2 $\mu$ F	Ceramic Cap;25V; X7R;0805;	0805	muRata	GRM21BR71E225KA73L
1	C2	NC	Ceramic Cap;25V; X7R;0805;	0805	muRata	GRM21BR71E225KA73L
3	C7, C8, C10	4.7 $\mu$ F	Ceramic Cap;25V; X7R;1206	1206	muRata	GRM31CR71E475KA88L
1	C4	100nF	Ceramic Cap;25V; X7R;0805;	0805	HHEC	C0805X104K025T
1	C6	NC	Ceramic Cap;25V; X7R;0805;	0805	muRata	GRM21BR71E225KA73L
2	C3, C11	NC	Ceramic Cap;25V; X7R;1206	1206	muRata	GRM31CR71E475KA88L
1	P1		Header, 5-Pin, Dual row			
1	R1	100k	Film Resistor;1%;	0603	Yageo	RC0603FR-07100KL
2	RT1, RT2	10k	Film Resistor;1%;	0603	Yageo	RC0603FR-0710KL
1	U2		Micro-B USB connector;			
1	U1	IC	MP2663GC-0000	WCSP 1.55mm* 1.55mm	MPS	MP2663GC-0000

# PRINTED CIRCUIT BOARD LAYOUT

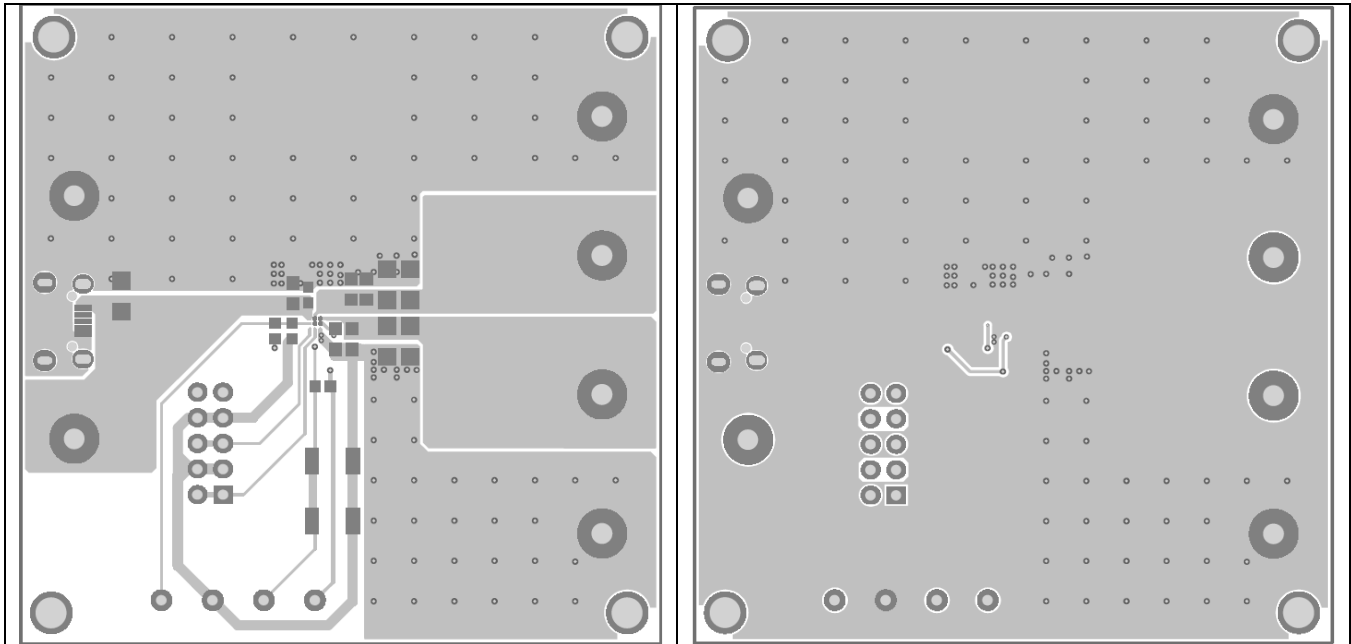


Figure 1: Top Layer

Figure 2: Bottom Layer

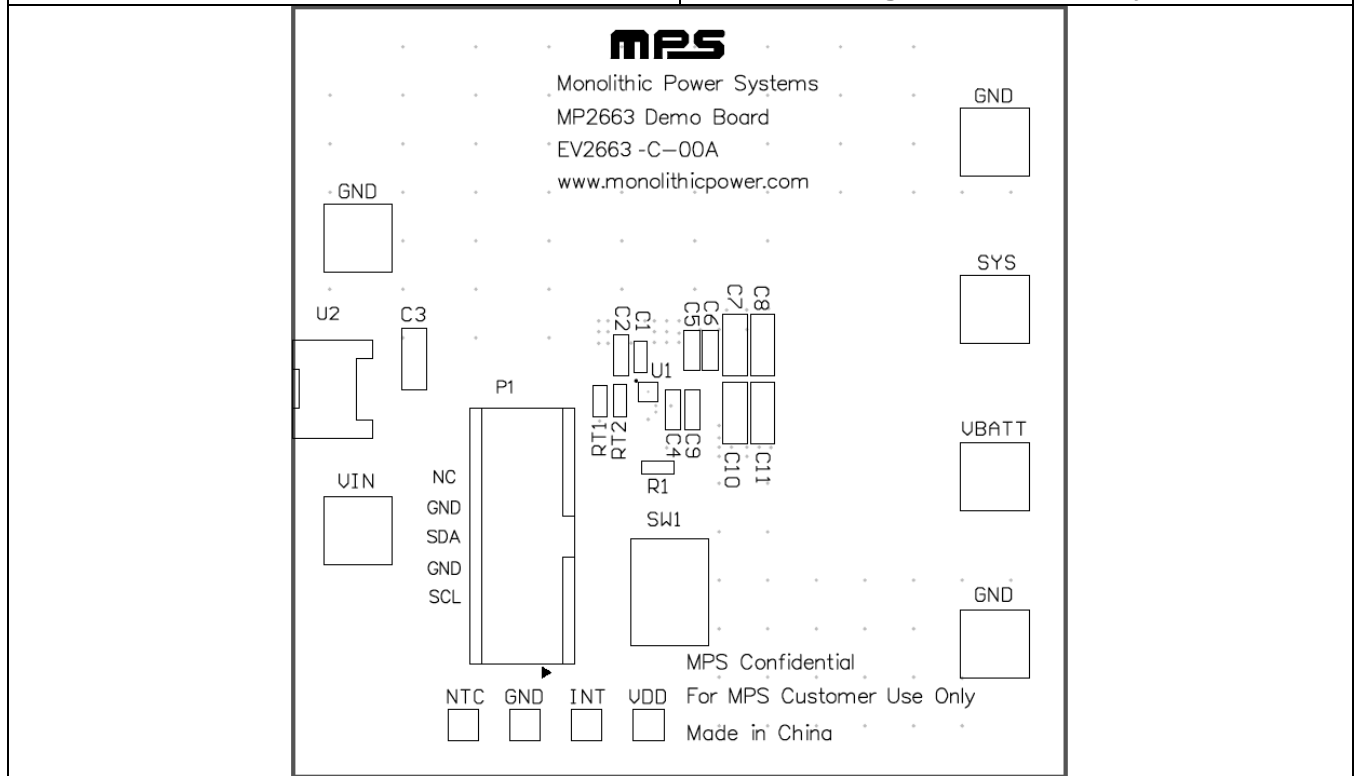


Figure 3: Top Silk Layer

## QUICK START GUIDE

This board is designed for MP2663 which is a highly-integrated single-cell Li-Ion/Li-Polymer battery charger with system power path management function. And layout accommodates most commonly used capacitors. The default function of this board is preset for charger mode and the charge full voltage is preset to 4.095V for 1 cell Li-Ion battery.

Evaluation Platform Preparation:

1) USB-to-I<sup>2</sup>C Communication Kit

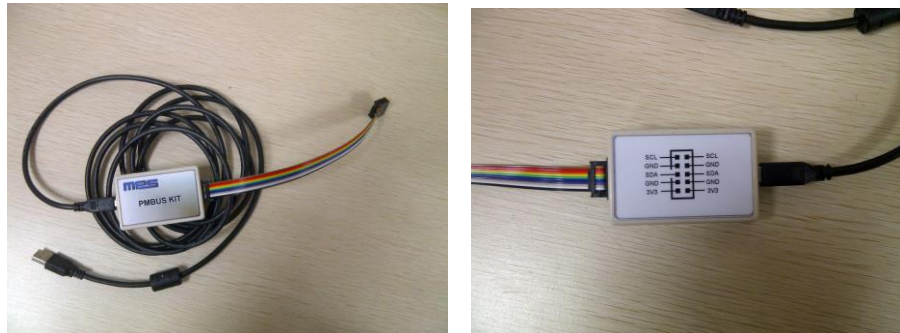
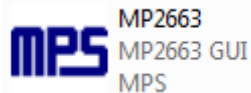


Figure 4: USB-to-I<sup>2</sup>C Communication Kit

2) Software – double-click on the MP2663 Evaluation Kit EXE file and open the software. The software supports the Windows operating systems.



3) A computer with at least one USB port and a USB cable. The MP2663 evaluation software must be properly installed.

4) Original Test Setup for MP2663 in Figure5

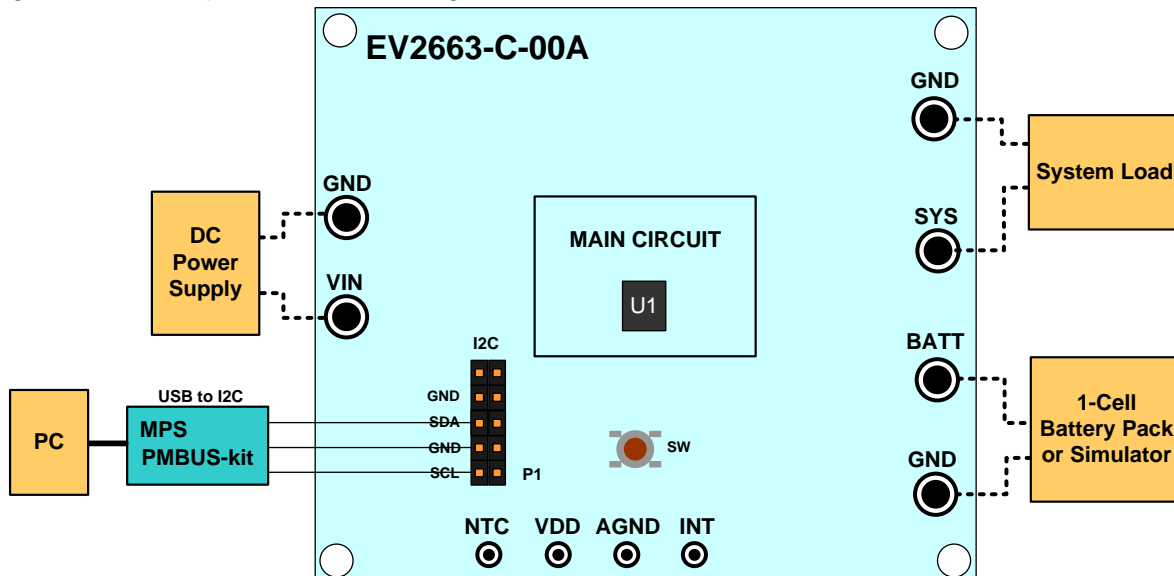


Figure 5: Test Setup for MP2663

5) Turn on the computer. Launch the MP2663 evaluation software. The main window of the software is shown in Figure 6.

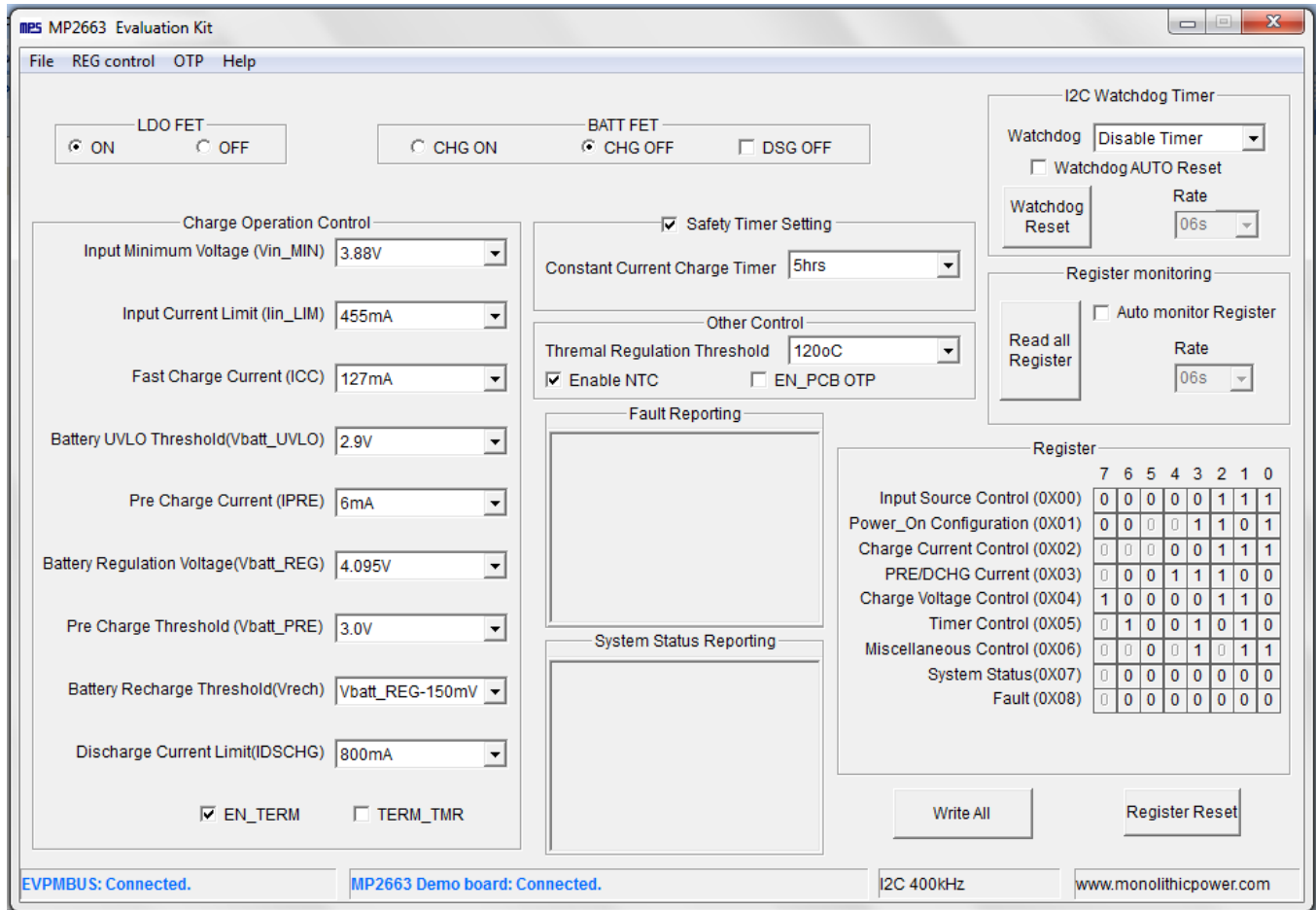


Figure 6: MP2663 evaluation software

### Procedure

Make sure all the connections are normal -- the EVPMBUS connected and EV2663-C-00A connected. It is ready to run the program!

## Charger Function

Charge Operation Control

Input Minimum Voltage (Vin_MIN)	3.88V
Input Current Limit (Iin_LIM)	455mA
Fast Charge Current (ICC)	127mA
Battery UVLO Threshold(Vbatt_UVLO)	2.9V
Pre Charge Current (IPRE)	6mA
Battery Regulation Voltage(Vbatt_REG)	4.095V
Pre Charge Threshold (Vbatt_PRE)	3.0V
Battery Recharge Threshold(Vrech)	Vbatt_REG-150mV
Discharge Current Limit(IDSCHG)	800mA

EN\_TERM     TERM\_TMR

1. Set Input Minimum Voltage at 3.88 V (the range is 3.88 - 5.08V)

Input Minimum Voltage (Vin_MIN)	3.88V
---------------------------------	-------

- 3.88V
- 3.96V
- 4.04V
- 4.12V
- 4.20V
- 4.28V
- 4.36V

2. Set Input Current Limit to 455mA (the range is 85 – 455mA)

Input Current Limit (lin_LIM)	455mA
	130mA
	175mA
	220mA
	265mA
	310mA
	355mA
	455mA

3. Set Constant Charge Current, ICC to 127mA (the range is 8 – 535mA)

Fast Charge Current (ICC)	127mA
	127mA
	144mA
	161mA
	178mA
	195mA
	212mA
	229mA
	246mA
	263mA
	280mA
	297mA

4. Set BATT UVLO threshold to 2.9V (the range is 2.4 – 3.1V)

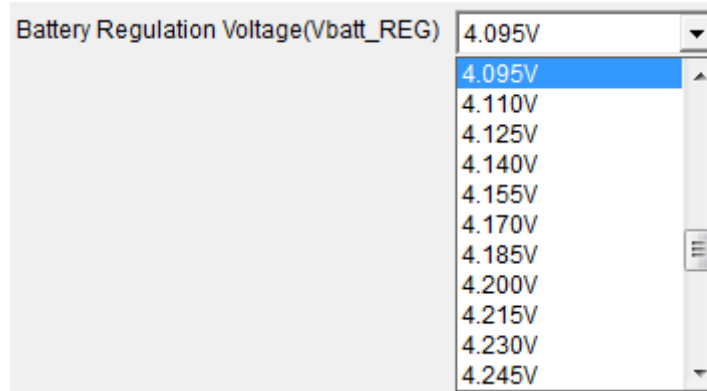
Battery UVLO Threshold(Vbatt_UVLO)	2.9V
	2.7V
	2.8V
	2.9V
	3.0V
	3.1V

5. Set Pre Current to 6mA (the range is 6 – 27mA)

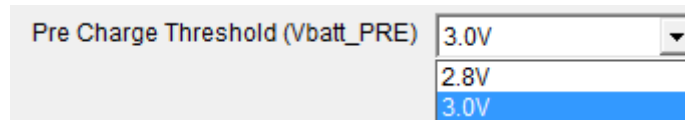
Pre Charge Current (IPRE)	6mA
	6mA
	13mA
	20mA
	27mA



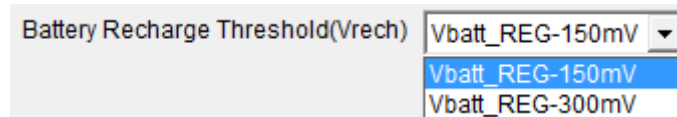
6. Set Battery Regulation Voltage to 4.095 V (the range is 3.6 - 4.545V)



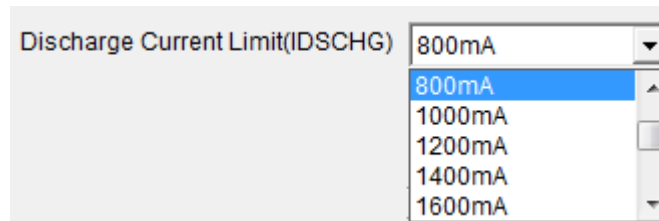
7. Set Pre Charge to CC Charge Threshold Voltage to 3.0 V (the range is 2.8 or 3.0V)



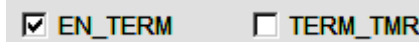
8. Set Battery auto recharge Voltage to Vbatt\_REG – 150mV (the range is 150mV or 300mV)



9. Set battery discharge current limit to 800mA (the range is 400mA to 2600mA):



10. Termination Function Select



**Table 1: Termination Function Selection Table**

EN_TERM	TERM_TMR	After I <sub>BATT</sub> hit I <sub>TERM</sub> in CV mode	
		Operation	Charge Status
<input type="checkbox"/>	x	Keep CV Charge	Charge
<input checked="" type="checkbox"/>	<input type="checkbox"/>	Charge Done	Charge Done
<input checked="" type="checkbox"/>	<input checked="" type="checkbox"/>	Keep CV Charge	Charge Done

**Others**

1. LDO FET Control:

This bit only controls the on/off of the LDO FET.

2. BATT FET Control:

CHG ON and CHG OFF only control the on/off of the Battery FET in charge mode. DSG OFF selected could turn off the Battery FET at both charge and discharge mode. DSG OFF unselected could not turn on Battery FET; pull INT to low by push button could turn on Battery FET when it's turned off by DSG OFF.

3. Other Control.

Above setting enables PCB OTP; for other application, please refer to the table below.

**Table 2 NTC Function Selection Table**

Enable NTC	EN_PCB OTP	Function
<input type="checkbox"/>	x	Disable
<input checked="" type="checkbox"/>	<input type="checkbox"/>	NTC
<input checked="" type="checkbox"/>	<input checked="" type="checkbox"/>	PCB OTP

4. Safety Timer Setting

5. I<sup>2</sup>C Watchdog Timer

6. Resister Auto Monitor

Register monitoring

Read all Register

Auto monitor Register

Rate

7. Content of the Registers:

Register

	7	6	5	4	3	2	1	0
Input Source Control (0X00)	0	0	0	0	0	1	1	1
Power_On Configuration (0X01)	0	0	0	0	1	1	0	1
Charge Current Control (0X02)	0	0	0	0	0	1	1	1
PRE/DCHG Current (0X03)	0	0	0	1	1	1	0	0
Charge Voltage Control (0X04)	1	0	0	0	0	1	1	0
Timer Control (0X05)	0	1	0	0	1	0	1	0
Miscellaneous Control (0X06)	0	0	0	0	1	0	1	1
System Status(0X07)	0	0	0	0	0	0	1	0
Fault (0X08)	0	0	0	0	0	0	0	0

8. Monitor the MP2663 operation status and Fault report

Fault Reporting

System Satus Reporting

❖Notes❖

- For the other detailed description on the operation of this part, please contact local FAE to apply the latest datasheet

**NOTICE:** The information in this document is subject to change without notice. Please contact MPS for current specifications. Users should warrant and guarantee that third party Intellectual Property rights are not infringed upon when integrating MPS products into any application. MPS will not assume any legal responsibility for any said applications.