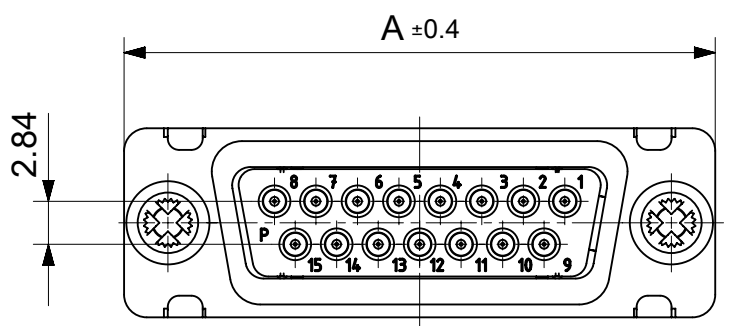
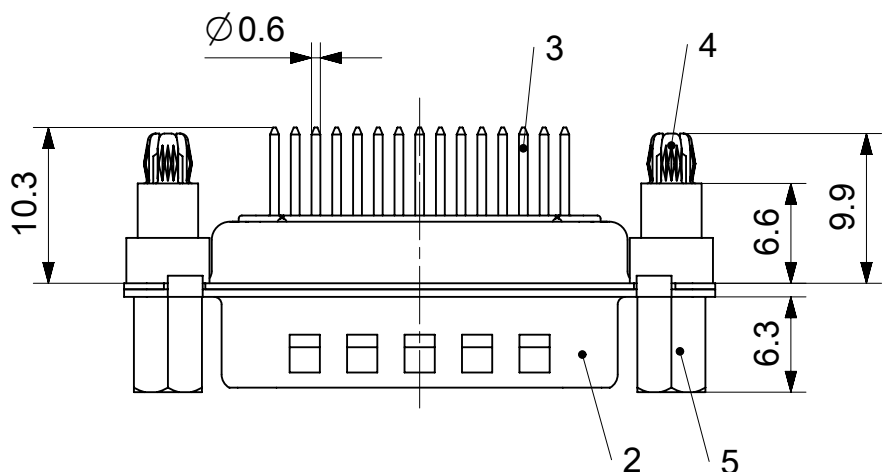
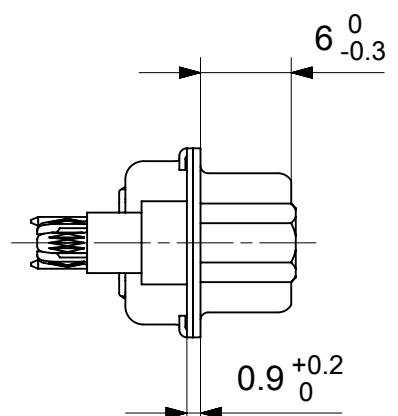
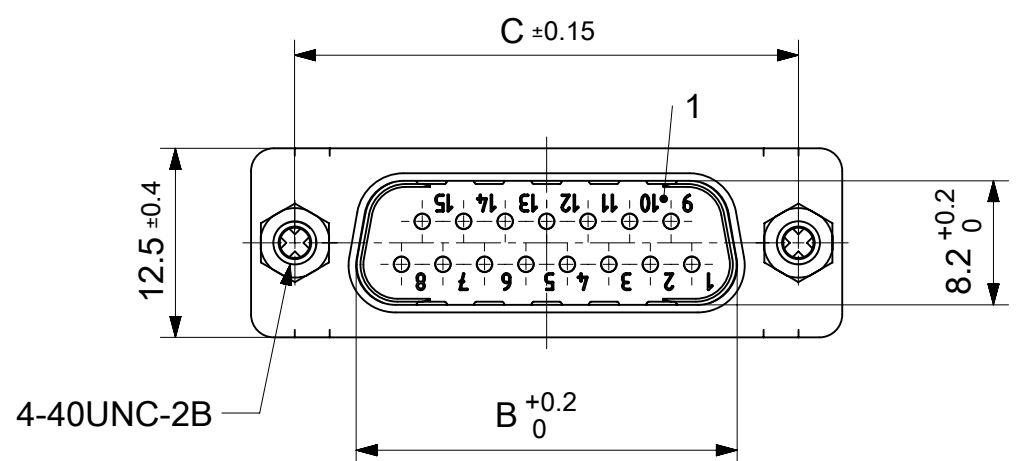


RoHS compliant
by exemption



FCT Part number:
Fxx*1)P1y*2)-3924
e.g. F15P1G1-3924
*1) xx No. of contacts 09, 15, 25 or 37
*2) y for performance classes 1, 2 or 3
(contact cycle for G1/G2/G3 = 500/200/50)

Material Number	xx*1)	y*2)	A[mm]	B[mm]	C[mm]	*E[mm]	*F[mm]
1731091058	09	G1	30.8	16.9	25	Ø1	Ø3
1731091076		G3					
1731090456	15	G1	39.1	25.2	33.3		
1731091400	25	G1	53	38.9	47.04		
1731090335		G2					
-	37	-	-	-	-		

*PCB hole patterns ØE, ØF see document 2195600023

No.	Pc.	Part	Type Description/Material	Surface plating/Color/Class
5	2	Threaded Spacer	4-40 / Steel	tin plated
4	2	Snap-in bolt	PCB 1.6mm / Brass	tin plated
3	xx	Signal contact	P1 / Brass	G1 / G2 / G3
2	1	Shell	Steel	tin plated
1	1	Insulator	PBT (-55°C to +125°C) acc. UL94V-0	white

MEASUREMENTS WITHOUT TOLERANCE ACC TO ISO 2768-m

REPLACEMENT FOR DOCUMENT NUMBER: FxxP1Gy-3924

FUNCTIONAL SYMBOLS: THIS DRAWING CONTAINS INFORMATION THAT IS PROPRIETARY TO MOLEX ELECTRONIC TECHNOLOGIES, LLC AND SHOULD NOT BE USED WITHOUT WRITTEN PERMISSION

SCALE: 2:1

GENERAL TOLERANCES (UNLESS SPECIFIED):

ANGULAR TOL ± °

4 PLACES ±

3 PLACES ±

2 PLACES ±

1 PLACE ±

0 PLACES ±

DIVISIONAL SYMBOLS

DRAFT WHERE APPLICABLE MUST REMAIN WITHIN DIMENSIONS

FIRST ANGLE PROJECTION

DRAWING: A3-SIZE

SERIES: 173109

MATERIAL NUMBER: SEE TABLE

CUSTOMER: GENERAL MARKET

SHEET NUMBER: 1 OF 1

EC NO: 707726

DRWN: GOOLAM 2021/11/30

CHK'D: MTEUBEL 2022/05/25

APPR: MTEUBEL 2022/05/25

INITIAL REVISION:

DRWN: GOOLAM 2021/11/30

APPR: MTEUBEL 2022/05/25

DOCUMENT NUMBER: 1731091058

DOC TYPE: PSD

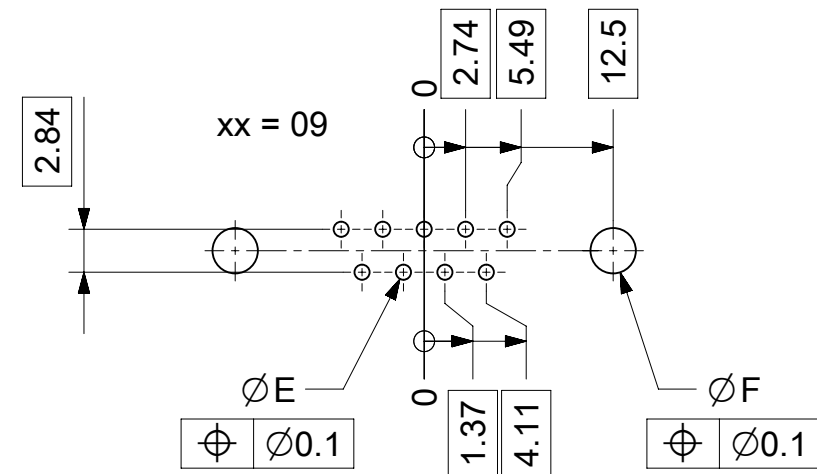
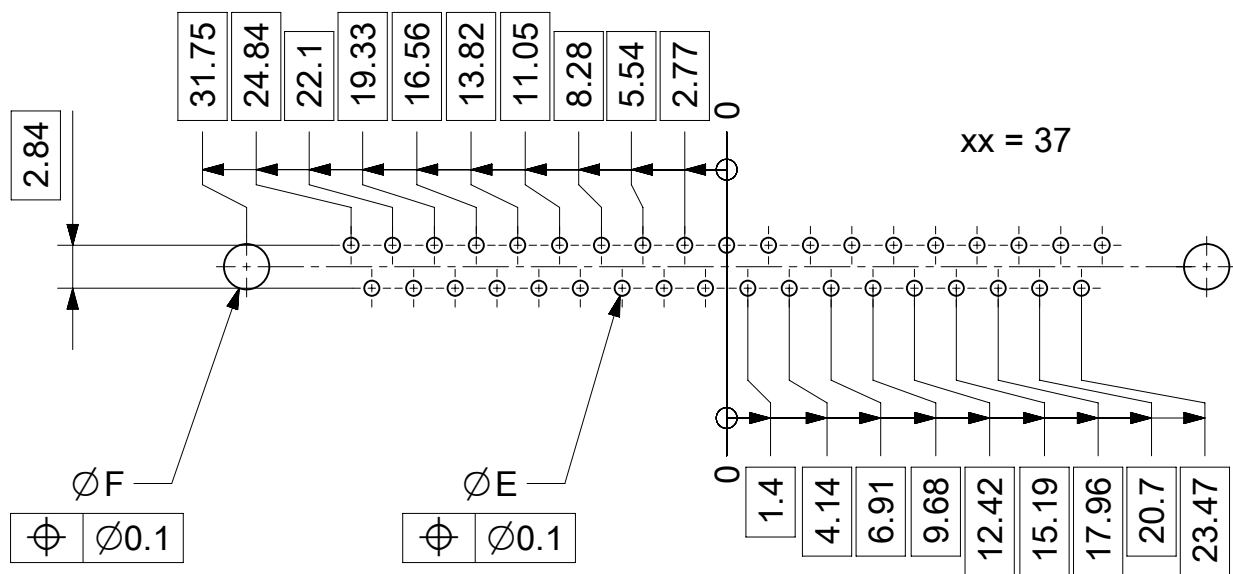
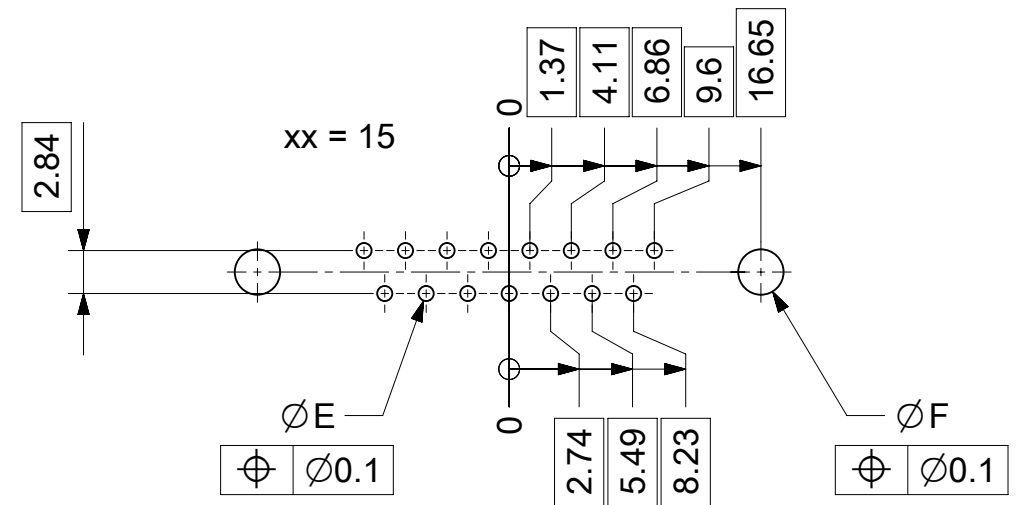
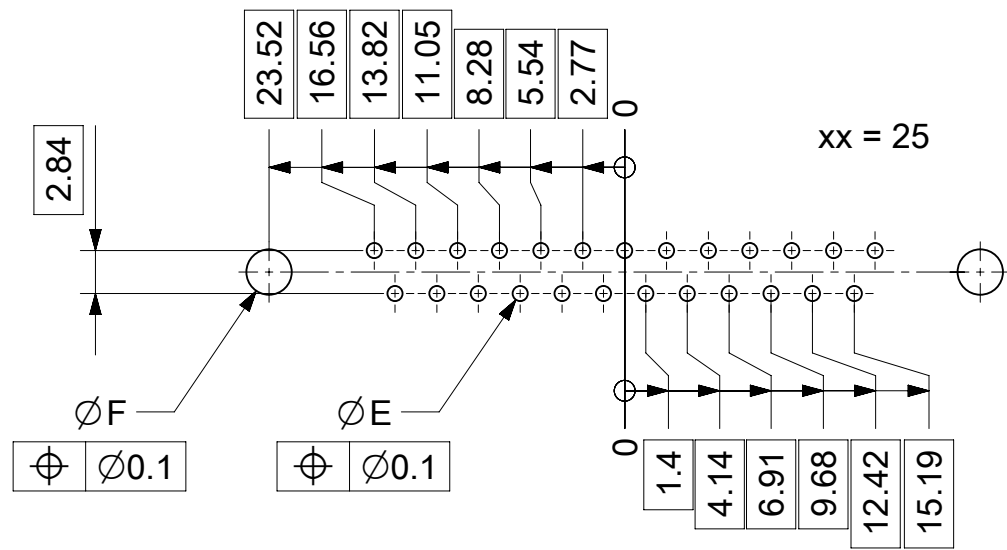
DOC PART: 000

REVISION: A

molex

FCT D-SUB MINIATURE CONNECTOR

PRODUCT CUSTOMER DRAWING



ØE, ØF see data sheet incl. connector
 ØF connectors with accessories only

MEASUREMENTS WITHOUT TOLERANCE ACC TO ISO 2768-m			REPLACEMENT FOR DOCUMENT NUMBER: AM0023		
FUNCTIONAL SYMBOLS	THIS DRAWING CONTAINS INFORMATION THAT IS PROPRIETARY TO MOLEX ELECTRONIC TECHNOLOGIES, LLC AND SHOULD NOT BE USED WITHOUT WRITTEN PERMISSION		CURRENT REV DESC:		
	DIMENSION UNITS	SCALE			
▽A = 0	mm	2:1	molex FCT PCB HOLE PATTERN STRAIGHT CONTACT NO. OF CONTACTS 09-37 PRODUCT CUSTOMER DRAWING		
▽E = 0	GENERAL TOLERANCES (UNLESS SPECIFIED)				
▽P = 0	ANGULAR TOL ± °				
DIVISIONAL SYMBOLS	4 PLACES ±				
	3 PLACES ±		EC NO: 713905		
	2 PLACES ±		DRWN: SKANDB 2022/05/16		
	1 PLACE ±		CHK'D: MTEUBEL 2022/07/12		
	0 PLACES ±		APPR: MTEUBEL 2022/07/12		
DRAFT WHERE APPLICABLE MUST REMAIN WITHIN DIMENSIONS			INITIAL REVISION:		
FIRST ANGLE PROJECTION			DRWN: SKANDB 2022/05/16		
DRAWING			APPR: MTEUBEL 2022/07/12		
SERIES			DOCUMENT NUMBER		
A3-SIZE			2195600023		
219560			DOC TYPE		
MATERIAL NUMBER			PSD		
219560			DOC PART		
CUSTOMER			000		
GENERAL MARKET			REVISION		
SHEET NUMBER			A		
1 OF 1					