

Sync Generator for TV Applications and Video Processing Systems

November 1996

Features

- Interlaced Composite Sync Output
- Automatic Genlock Capability
- Crystal Oscillator Operation
- 525 or 625 Line Operation
- Vertical Reset Option
- Wide Power Supply Operating Voltage 4V to 15V

Applications

- Cameras
- Monitors and Displays
- CATV
- Teletext
- Video Games
- Sync Restorer
- Video Service Instruments

Ordering Information

PART NUMBER	TEMP. RANGE (°C)	PACKAGE	PKG. NO.
CD22402D	-55 to 125	24 Ld SBDIP	D24.6
CD22402E	-40 to 85	24 Ld PDIP	E24.6

Description

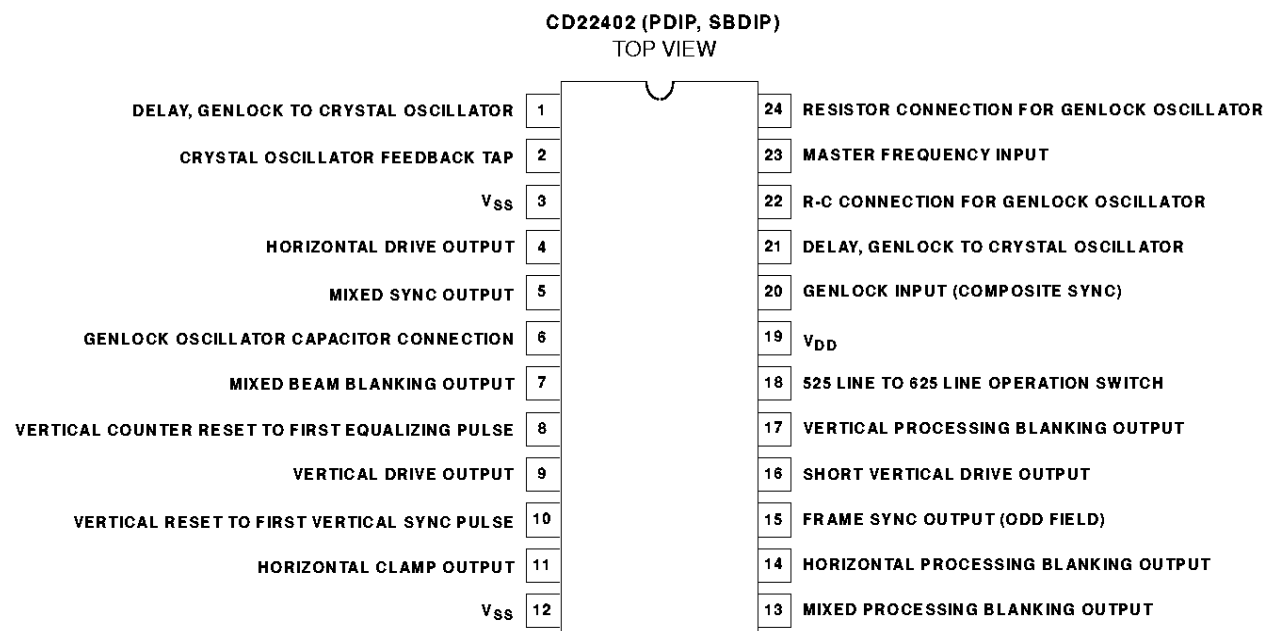
The Harris CD22402 (Note) is a CMOS LSI sync generator that produces all the timing signals required to drive a fully 2-to-1 interlaced 525-line 30-frame/second, or 625-line 25-frame/second TV camera or video processing system. A complete sync waveform is produced which begins each field with six serrated vertical sync pulses, preceded and followed by six half-width double frequency equalizing pulses. The sync output is gated by the master clock to preserve horizontal phase continuity during the vertical interval.

The CD22402 can be operated either in "genlock" mode, in which it is synchronized with a reference sync pulse train from another TV camera, or in "stand-alone" mode, in which it is synchronized with a local on-chip crystal oscillator (the crystal and two passive components are off chip). Also, the circuit can sense the presence or absence of a reference sync pulse train and automatically select the "genlock" or "stand-alone" mode.

A frame sync pulse is produced at the beginning of every odd field. The vertical counter can be reset to either the first equalizing pulse or the first vertical sync pulse of the vertical interval. The interlaced sync provided by the CD22402 differs from RS-170 by having slightly narrower sync and equalizing pulses. The clock frequency of 32 times horizontal rate allows for approximately 4 μ s horizontal pulse widths and 2 μ s equalizing pulses. Otherwise operation can be phase locked to a color sub-carrier for a full interlaced operating system.

The CD22402 is operable with a single supply over a voltage range of 4V to 15V.

Pinout



Pin Descriptions

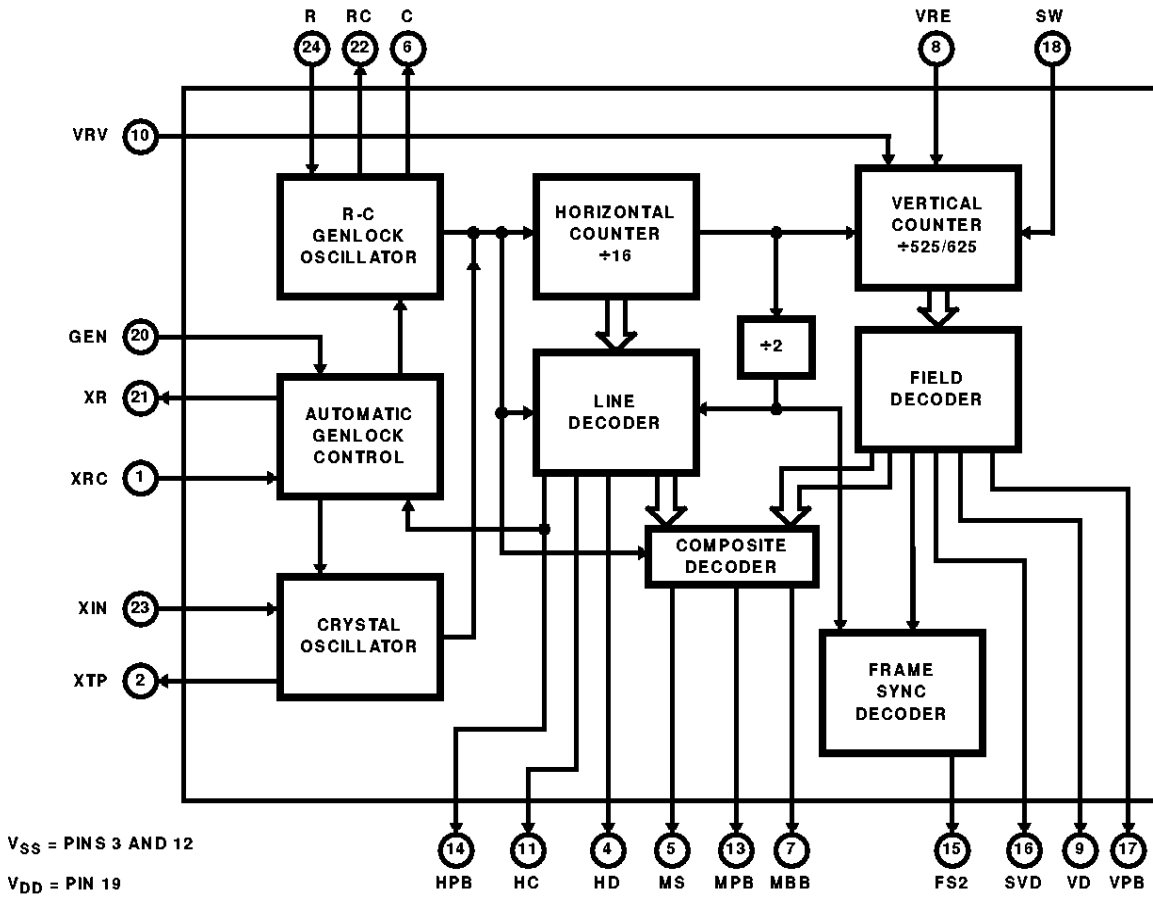
PIN NO.	SYMBOL	DESCRIPTION
1	XRC	Delay, Genlock to Crystal Oscillator. Resistor, diode and capacitor connection for delay that automatically turns on the crystal oscillator when the genlock input is removed. When the signal on Terminal 1 is high the crystal oscillator is inhibited. Typical values for R and C are 1M Ω and 0.001 μ F. For operation as a crystal controlled stand alone sync generator without genlock, Terminal 1 should be hardwired to V _{SS} .
2	XTP	Crystal Oscillator Feedback Tap. Feedback connection (tap) for crystal oscillator. When a crystal (shunted by a 1M Ω resistor) is connected between this terminal and Terminal 23, and a 100pF capacitor is connected from this terminal to V _{SS} , the sync generator creates its own master frequency. For a 525-line, 30-frame/second raster, the crystal frequency is 504.000kHz (Note 1); and for a 625-line, 25-frame/second raster, the crystal frequency is 500.000kHz (Note 1).
3	V _{SS}	Negative Power Supply Voltage. This terminal must be hardwired to Terminal 12 (V _{SS}).
4	HD	Horizontal Drive Output
5	MS	Mixed Sync Output
6	C	Capacitor Connection for R-C Genlock Oscillator
7	MBB	Mixed Beam Blanking Output
8	VRE	Vertical Counter Reset to First Equalizing Pulse. A low level signal on this terminal resets the vertical counter to the first equalizing pulse of a field. When not in use this terminal should be connected to V _{DD} .
9	VD	Vertical Drive Output
10	VRV	Vertical Counter Reset to First Vertical Sync Pulse. A low level signal on this terminal resets the sync generator to the first vertical sync pulse of a field. For genlock operation, Terminal 10 is used as a resistor and capacitor connection for an integrator network that detects vertical sync pulses in a master sync waveform to which the sync generator is to be genlocked. R is 22k Ω , and C is 0.001 μ F. When not in use this terminal should be connected to V _{DD} .
11	HC	Horizontal Clamp Output
12	V _{SS}	Negative Power Supply Voltage
13	MPB	Mixed Processing Blanking Output
14	HPB	Horizontal Processing Blanking Output
15	FS2	Frame Sync Output (Odd Field). A pulse coinciding with the first equalizing pulse is produced at the beginning of every odd field.
16	SVD	Short Vertical Drive Output
17	VPB	Vertical Processing Blanking Output
18	SW	Operation Switch for 525-Line or 625-Line Raster. A high level signal on Terminal 18 causes the sync generator to generate a 625-line raster. An internal pulldown resistor is connected to Terminal 18, so in the absence of an applied input to this terminal, a 525-line raster is produced.
19	V _{DD}	Positive Power Supply Voltage. V _{DD} can be any voltage between +4 and +15 relative to V _{SS} .
20	GEN	Genlock Input Composite Sync. A negative going reference mixed sync waveform applied to Terminal 20 disables the crystal oscillator and locks the R-C genlock oscillator to the horizontal pulses of the reference sync waveform. Vertical sync detection is achieved by an R-C integrator connected from Terminal 20 to Terminal 10 (vertical reset to first vertical sync pulse). An internal pull-up resistor is connected to Terminal 20 so that in the absence of an applied input the crystal oscillator is enabled and the R-C genlock oscillator is disabled.
21	XR	Delay, Genlock to Crystal Oscillator, Resistor and Diode Connection for Delay, Genlock to Crystal Oscillator. Automatically turns on the crystal oscillator when the input to Terminal 20 is removed.
22	RC	Resistor and Capacitor Connection for Genlock Oscillator. If the genlock oscillator is not used this terminal should be connected to V _{SS} . C should be 100pF, and R should be a 10k Ω potentiometer.
23	XIN	Master Frequency Input.
24	R	Resistor Connection for Genlock Oscillator.

NOTE: 32 times horizontal frequency.

CD22402

Block Diagram

CD22402 MONOCHROME TV SYNC GENERATOR WITH AUTOMATIC GENLOCK



CD22402

Absolute Maximum Ratings

DC Supply Voltage (Referenced to V_{SS} Terminal) 15V
 Input Voltage Range, All Inputs (Notes 2, 3) $V_{SS} \leq V_I \leq V_{DD}$
 DC Input Current, Any One Input (Note 2) $\pm 10\text{mA}$

Operating Conditions

Temperature Range
 CD22402D -55°C to 125°C
 CD22402E -40°C to 85°C

Thermal Information

Thermal Resistance (Typical, Note 1) θ_{JA} (°C/W) θ_{JC} (°C/W)
 SBDIP Package 50 10
 PDIP Package 50 N/A
 Maximum Junction Temperature (SBDIP Package) 175°C
 Maximum Junction Temperature (PDIP Package) 150°C
 Maximum Storage Temperature Range -65°C to 150°C
 Maximum Lead Temperature (Soldering 10s) 300°C
 (SOIC - Lead Tips Only)

CAUTION: Stresses above those listed in "Absolute Maximum Ratings" may cause permanent damage to the device. This is a stress only rating and operation of the device at these or any other conditions above those indicated in the operational sections of this specification is not implied.

NOTES:

1. θ_{JA} is measured with the component mounted on an evaluation PC board in free air.
2. To prevent damage to the input protection circuit, input signals should never be greater than V_{DD} nor less than V_{SS} . Input currents must not exceed 10mA even when the power is off.
3. A connection must be provided at every input terminal. All unused inputs must be connected to V_{DD} or V_{SS} , whichever is appropriate.

Electrical Specifications

Values at -55°C, 25°C, 125°C Apply to D Package
 Values at -40°C, 25°C, 85°C Apply to E Package

PARAMETER	SYMBOL	TEST CONDITIONS		-55°C	-40°C	85°C	125°C	25°C			UNITS
		V_O (V)	V_{DD} (V)					MIN	TYP	MAX	
DC ELECTRICAL SPECIFICATIONS											
Quiescent Device Current	I_{DD} (Max)	-	5	-	-	-	-	0.5	0.75	1	mA
		-	10	-	-	-	-	1.5	2	2.5	mA
		-	15	-	-	-	-	3	4	5	mA
Output Low (Sink) Current	I_{OL} (Min)	0.5	5	100	96	66	56	80	160	-	μA
		5	5	1200	1155	787	672	960	1920	-	μA
		0.5	10	248	239	164	140	200	400	-	μA
		10	10	3000	2868	1968	1680	2400	4800	-	μA
Output High (Source) Current	I_{OH} (Min)	4.5	5	-100	-96	-66	-56	-80	-160	-	μA
		0	5	-1200	-1155	-787	-672	-960	-1920	-	μA
		9.5	10	-248	-239	-164	-140	-200	-400	-	μA
		0	10	-3000	-2868	-1968	-1680	-2400	-4800	-	μA
Output Voltage Low Level	V_{OL} (Max)	-	5	0.15	0.15	0.15	0.15	-	-	0.15	V
		-	10	0.15	0.15	0.15	0.15	-	-	0.15	V
Output Voltage High Level	V_{OH} (Min)	-	5	4.85	4.85	4.85	4.85	4.85	-	-	V
		-	10	9.85	9.85	9.85	9.85	9.85	-	-	V
Input Low Voltage	V_{IL} (Max)	0.5, 4.5	5	1.5	1.5	1.4	1.4	-	2.25	1.5	V
		1, 9	10	3	3	2.9	2.9	-	4.5	3	V
Input High Voltage	V_{IH} (Min)	0.5, 4.5	5	3.6	3.6	3.5	3.5	3.5	2.25	-	V
		1, 9	10	7.1	7.1	7	7	7	4.5	-	V
Input Current	I_{IN} (Max)	-	-	-	-	-	-	-	10	-	pA

Refer to the CD4000B Series data book 250.5 for general operating and application considerations.

CD22402

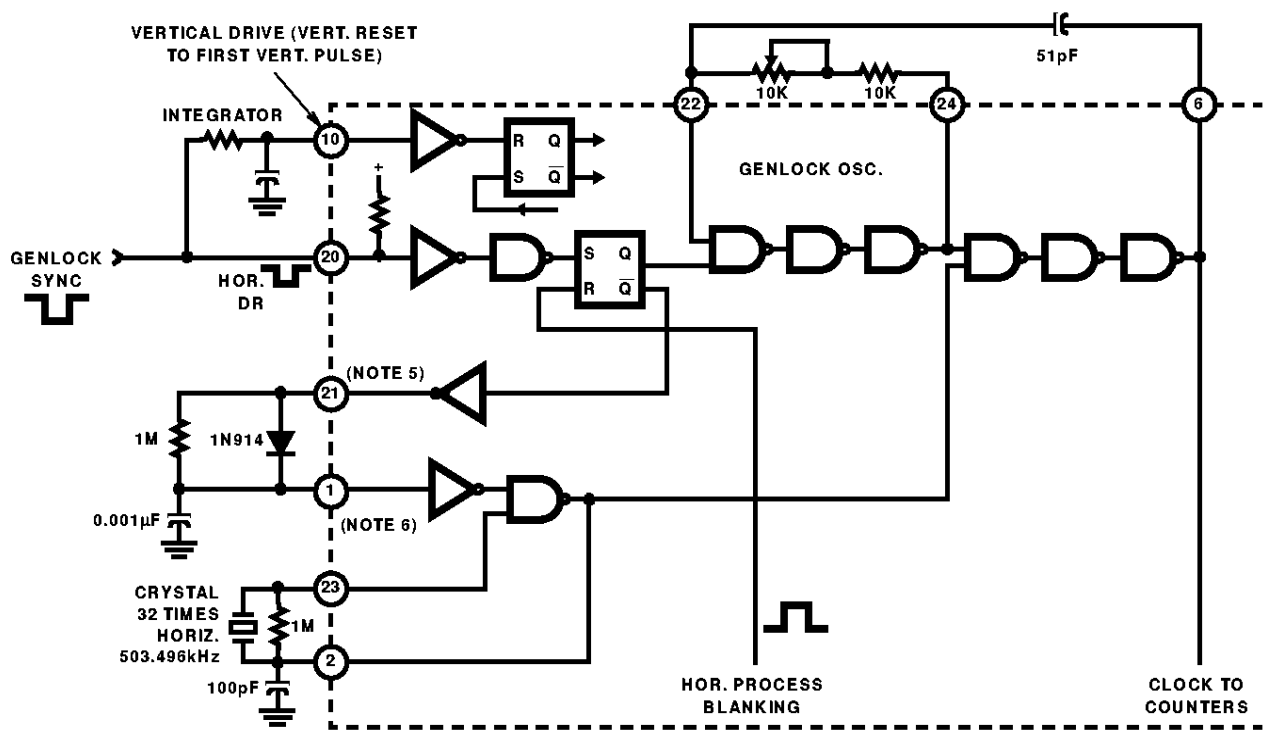
Switching Electrical Specifications $T_A = 25^\circ\text{C}$ and $C_L = 15\text{pF}$. Typical Temperature Coefficient for All Values of $V_{DD} = 0.3\%/^\circ\text{C}$

PARAMETER (NOTE 4)	SYMBOL	TEST CONDITIONS	MIN	TYP	MAX	UNITS
		V_{DD} (V)				
Output State Propagation Delay Time (50% to 50%)						
Low-to-High Level	t_{PLH}	5	-	40	80	ns
High-to-Low Level	t_{PHL}	10	-	20	40	ns
Output State Transition Time (10% to 90%)						
Low-to-High	t_{TLH}	5	-	45	90	ns
High-to-Low	t_{THL}	10	-	30	60	ns
Input Capacitance (Per Input)	C_I	-	-	5	-	pF

NOTE:

- The characteristics given are defined for unbuffered gate in the CMOS process of the CD22402.

Logic Diagram



NOTES:

- Pin 21 high when pin 20 is high (or open).
- Pin 1 high inhibits clock.

FIGURE 1. DETAIL OF THE OSCILLATOR/GENLOCK PORTION OF THE CD22402

Timing Waveforms

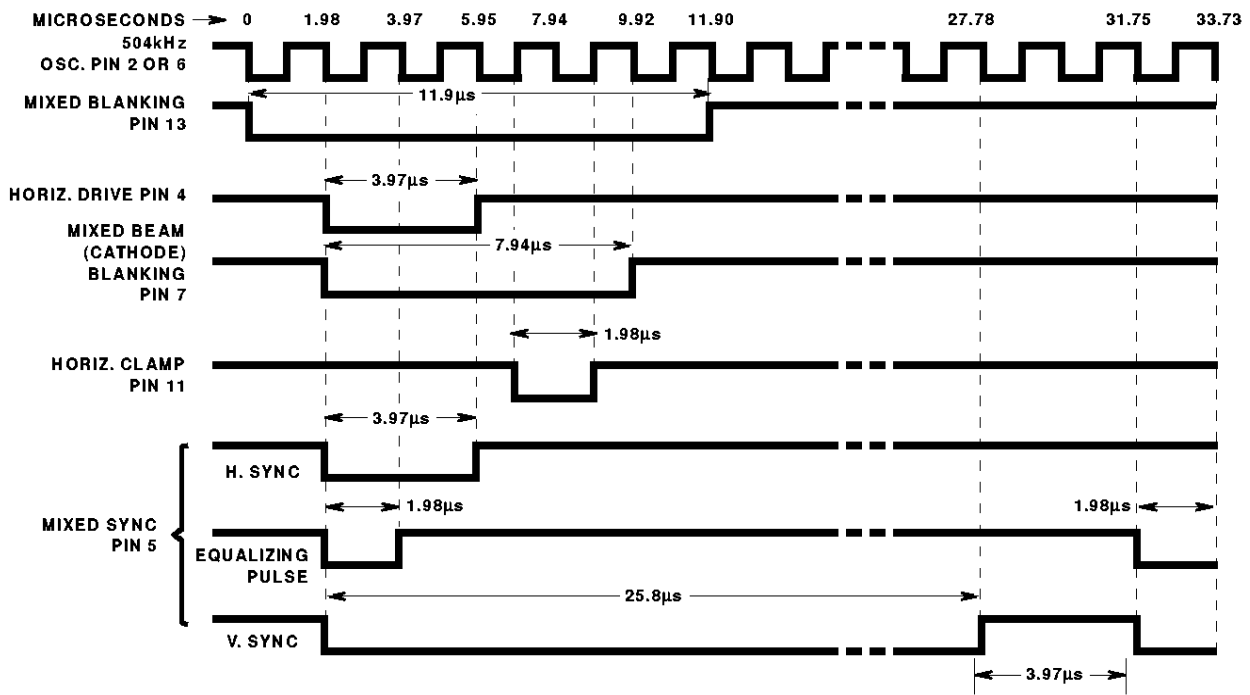


FIGURE 2. SYNC GENERATOR TIMING - 525/60Hz, HORIZONTAL TIMING WAVEFORMS

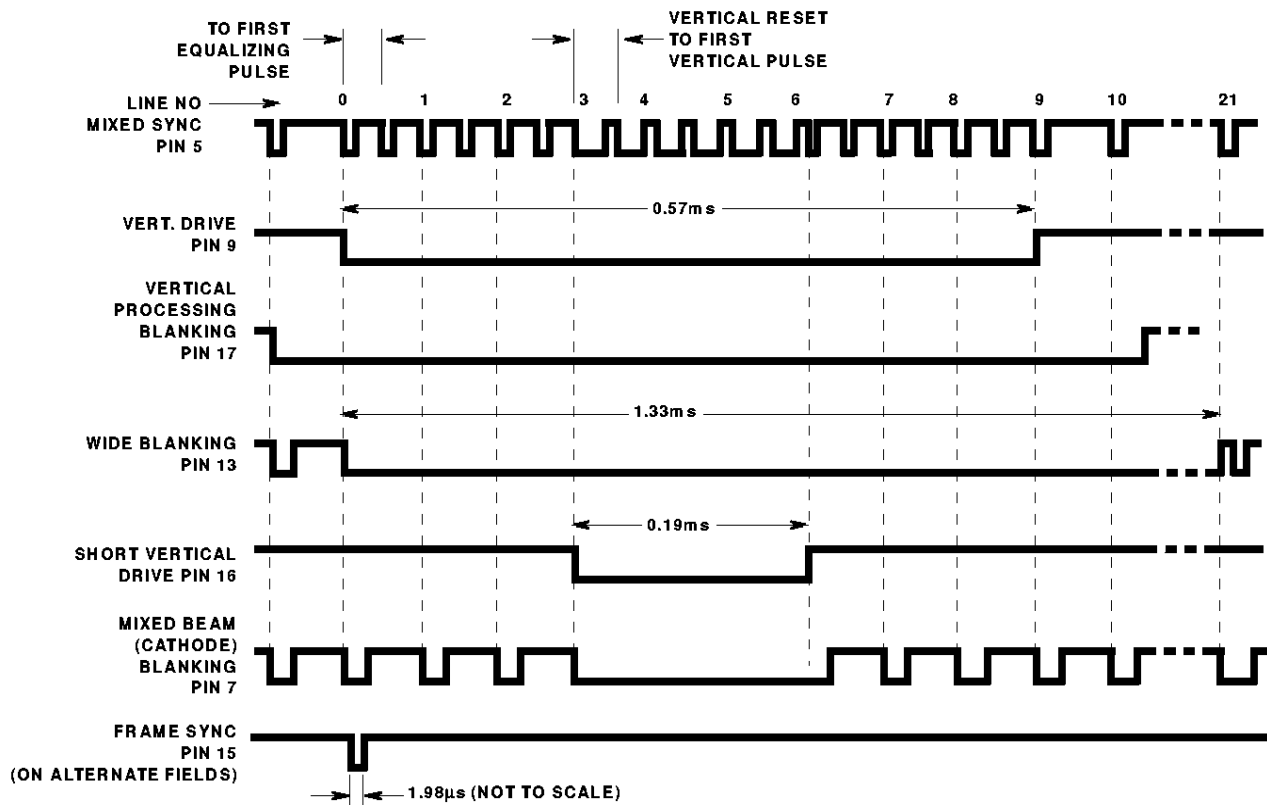


FIGURE 3. SYNC GENERATOR TIMING - 525/60Hz, VERTICAL TIMING WAVEFORMS

Timing Waveforms (Continued)

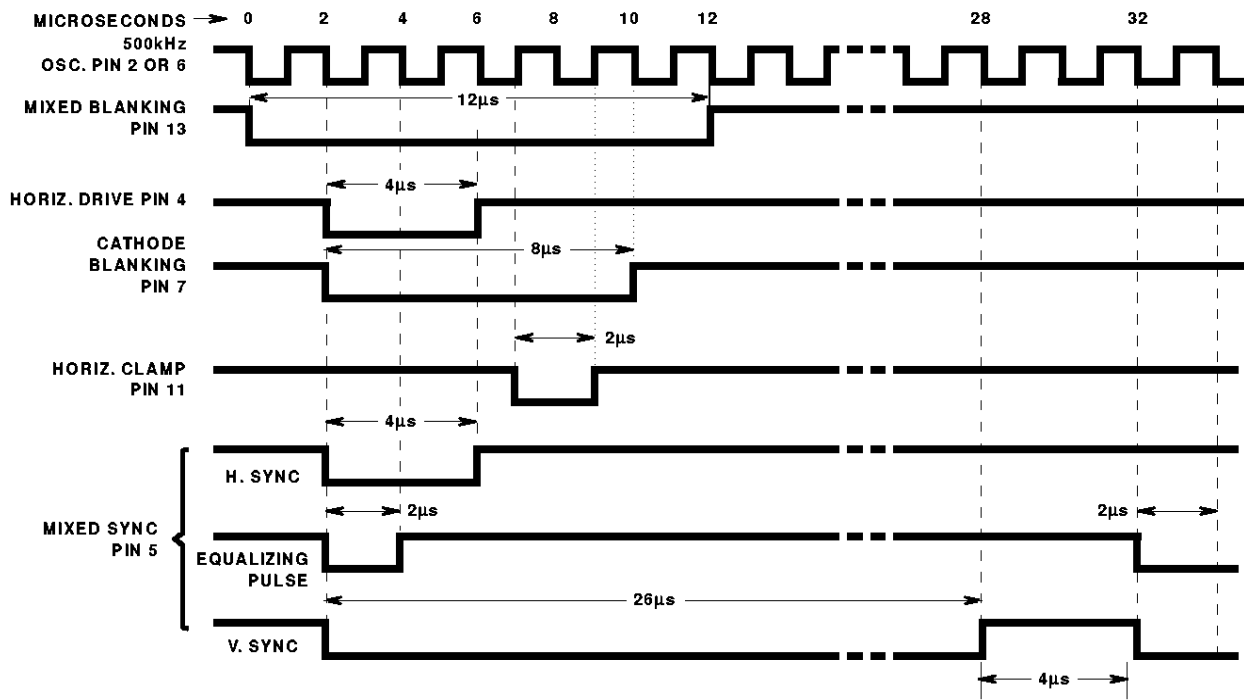


FIGURE 4. SYNC GENERATOR TIMING - 625/50Hz, HORIZONTAL TIMING WAVEFORMS

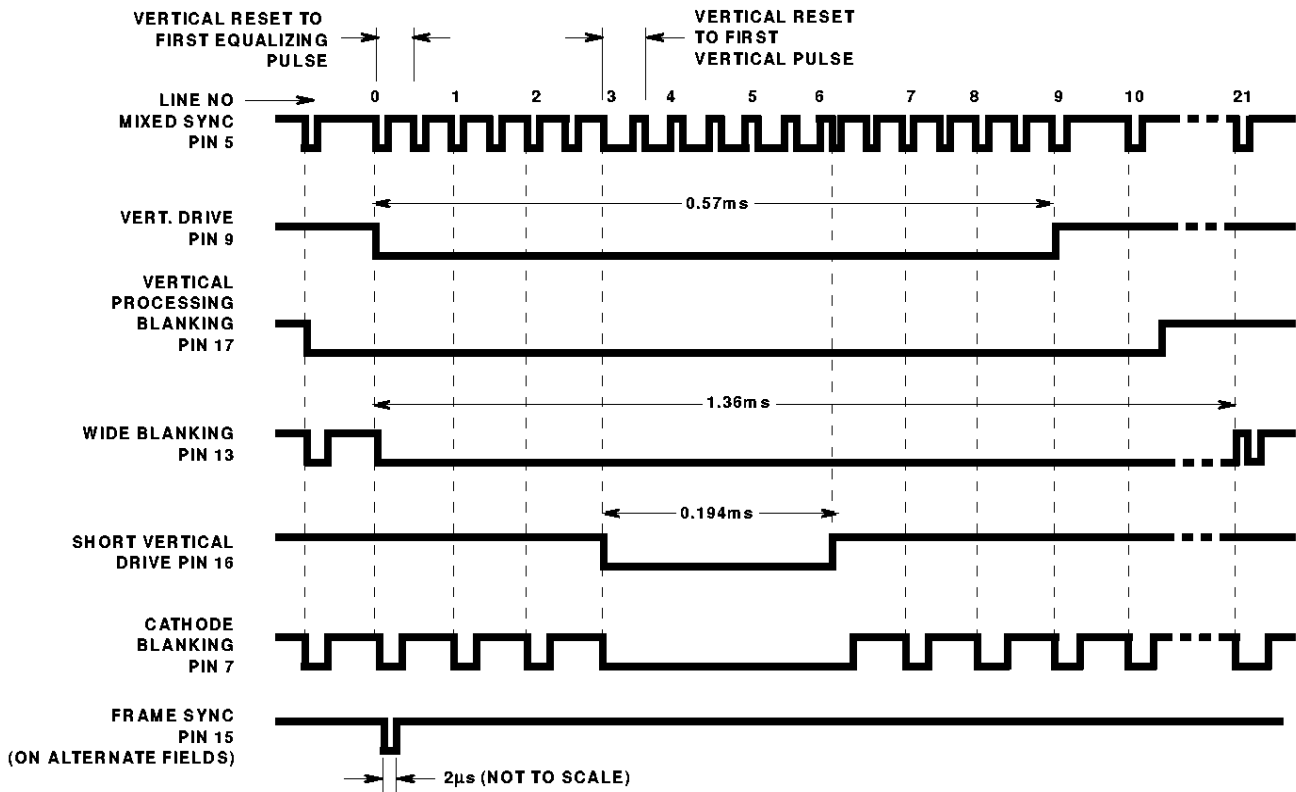


FIGURE 5. SYNC GENERATOR TIMING - 625/50Hz, VERTICAL TIMING WAVEFORMS

Timing Waveforms (Continued)

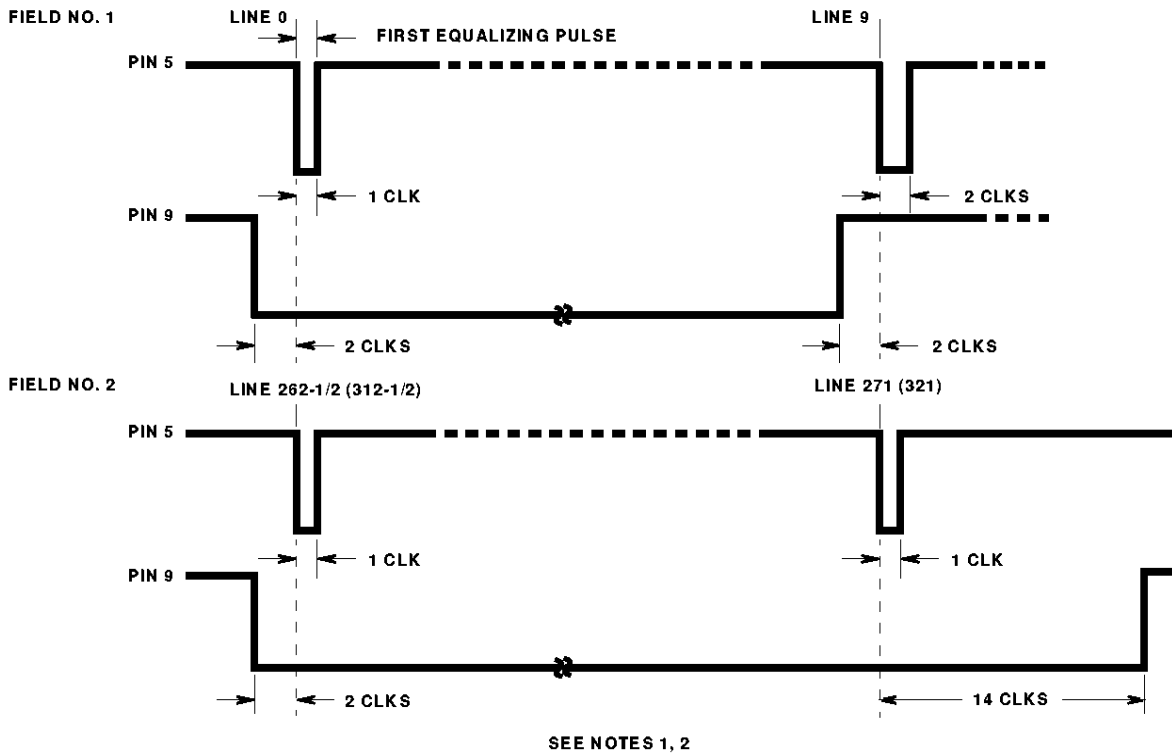


FIGURE 6. EXPANDED VERTICAL-TIMING WAVEFORM DETAIL OF SYNC GENERATOR TIMING (VERTICAL DRIVE - PIN 9)

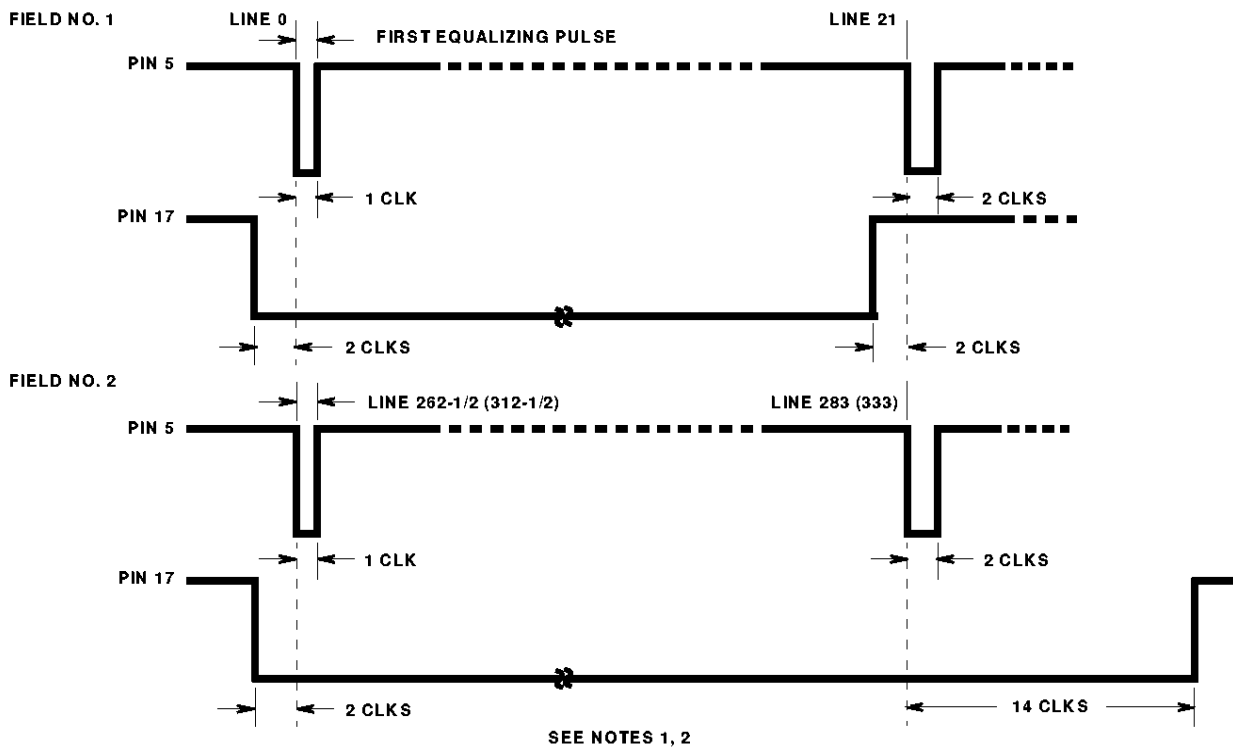


FIGURE 7. EXPANDED VERTICAL-TIMING WAVEFORM DETAIL OF SYNC GENERATOR TIMING (VERTICAL PROCESSING BLANKING - PIN 17)

Timing Waveforms (Continued)

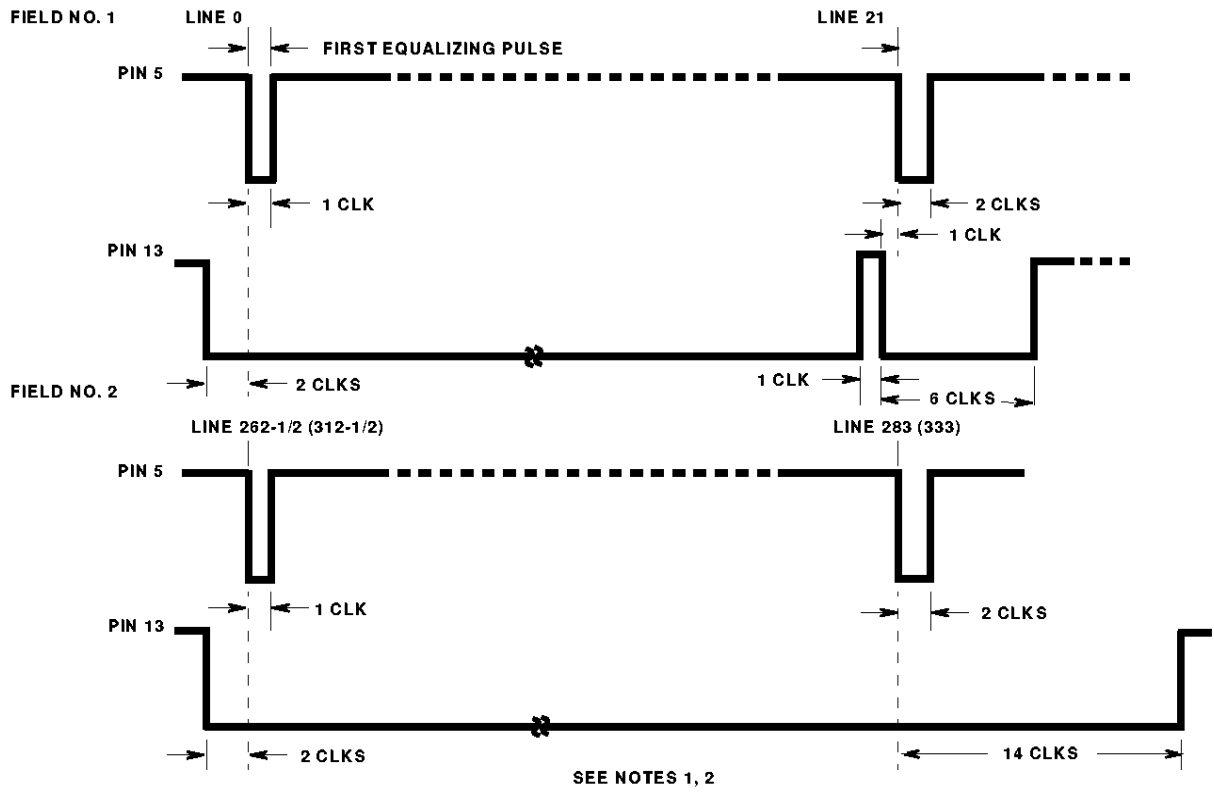


FIGURE 8. EXPANDED VERTICAL-TIMING WAVEFORM DETAIL OF SYNC GENERATOR TIMING (MIXED PROCESSING BLANKING - PIN 13)

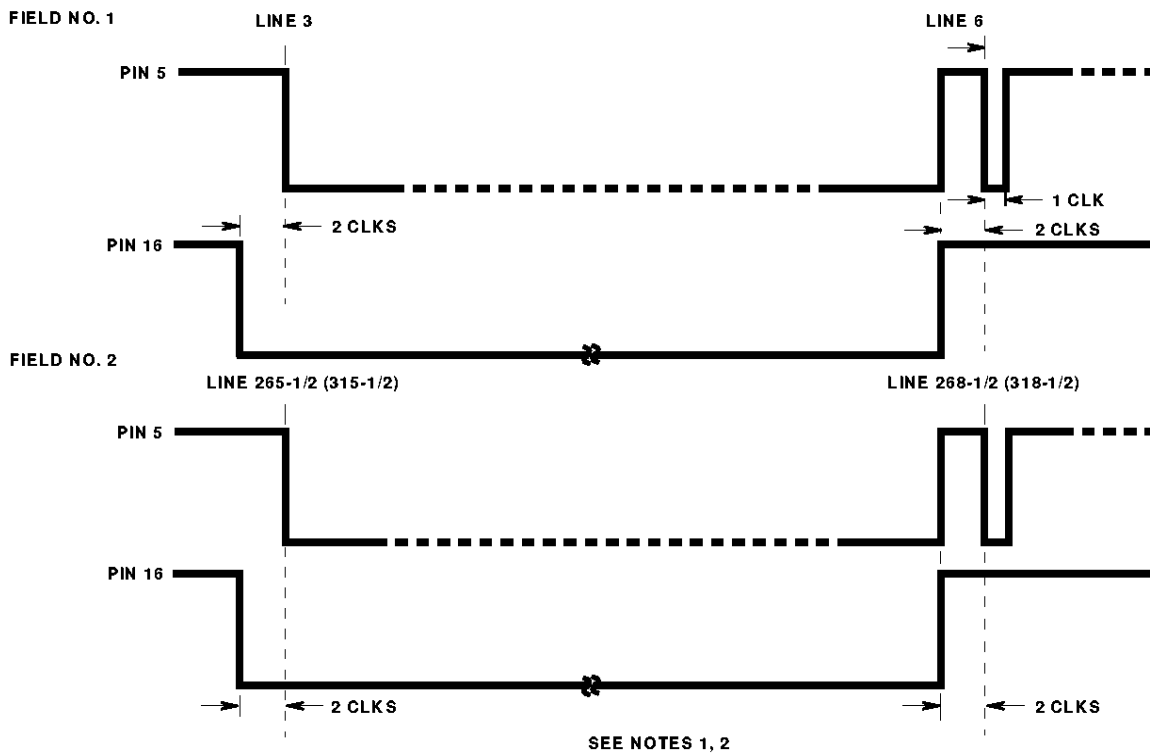
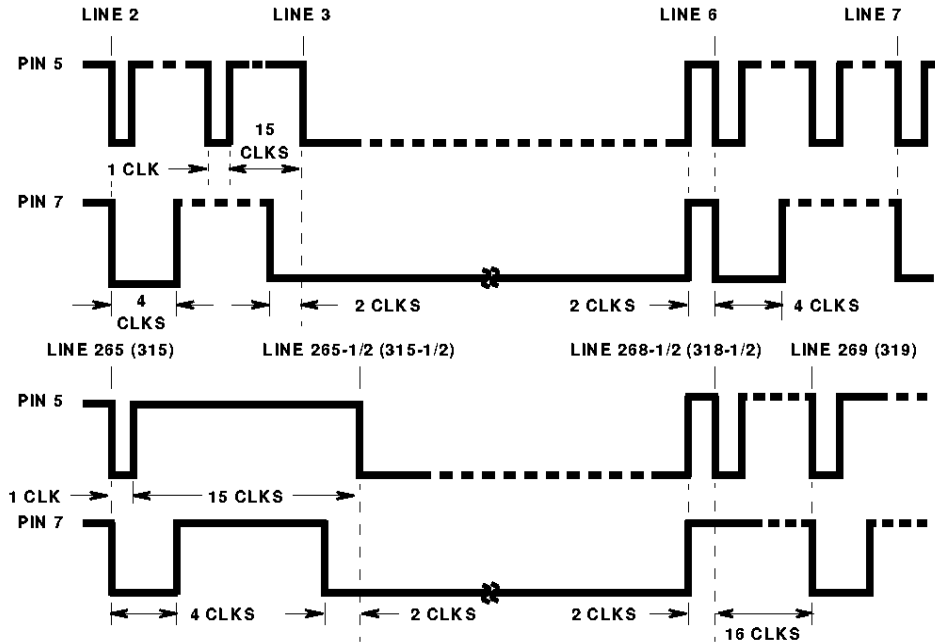


FIGURE 9. EXPANDED VERTICAL-TIMING WAVEFORM DETAIL OF SYNC GENERATOR TIMING (SHORT VERTICAL DRIVE - PIN 16)

Timing Waveforms (Continued)



SEE NOTES 7, 8

NOTES:

7. Waveforms shown are for 525 line/60Hz, line number in parenthesis are for (625 line/50Hz).
8. Timing widths by clock count; for 525 line, 1 CLK = 1.98μs; for 625 line, 1 CLK = 2μs; 1 horizontal period = 32 CLKS.

FIGURE 10. EXPANDED VERTICAL-TIMING WAVEFORM DETAIL OF SYNC GENERATOR TIMING (MIXED BEAM BLANKING - PIN 7)

Typical Applications (Refer to Application Note AN8742, for more information)

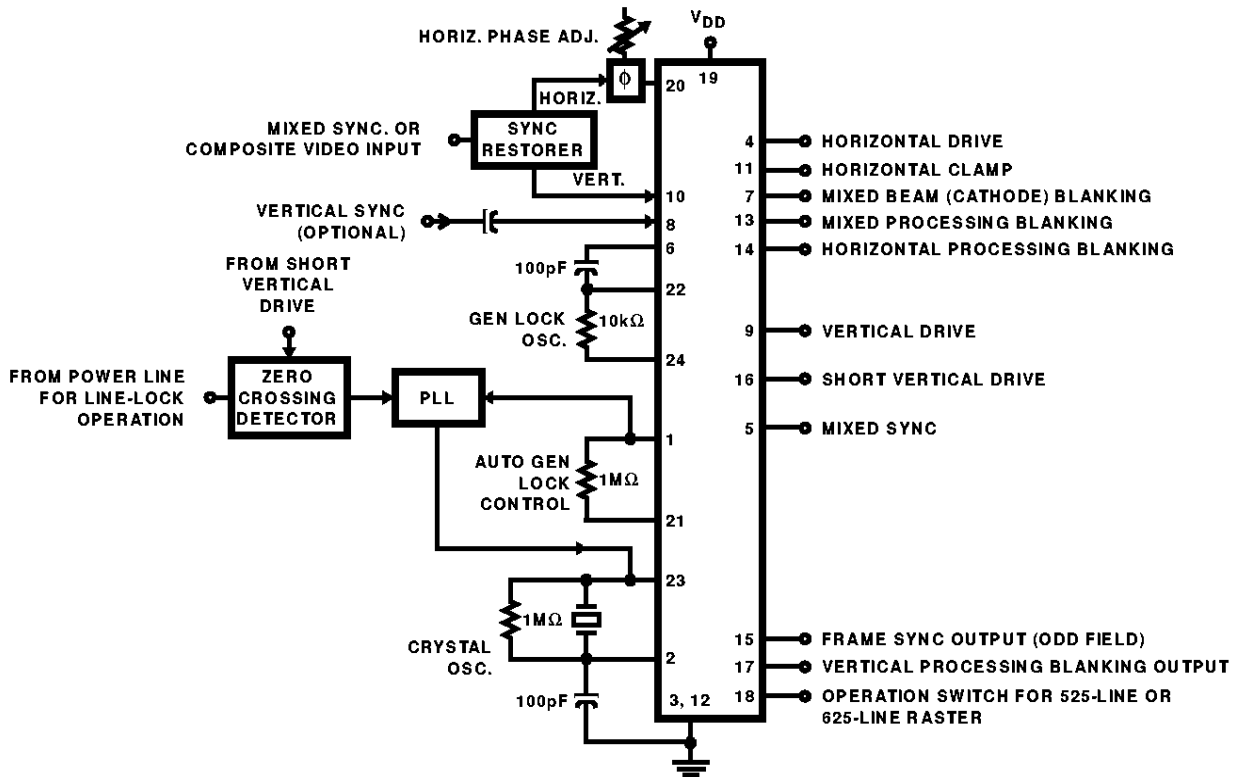
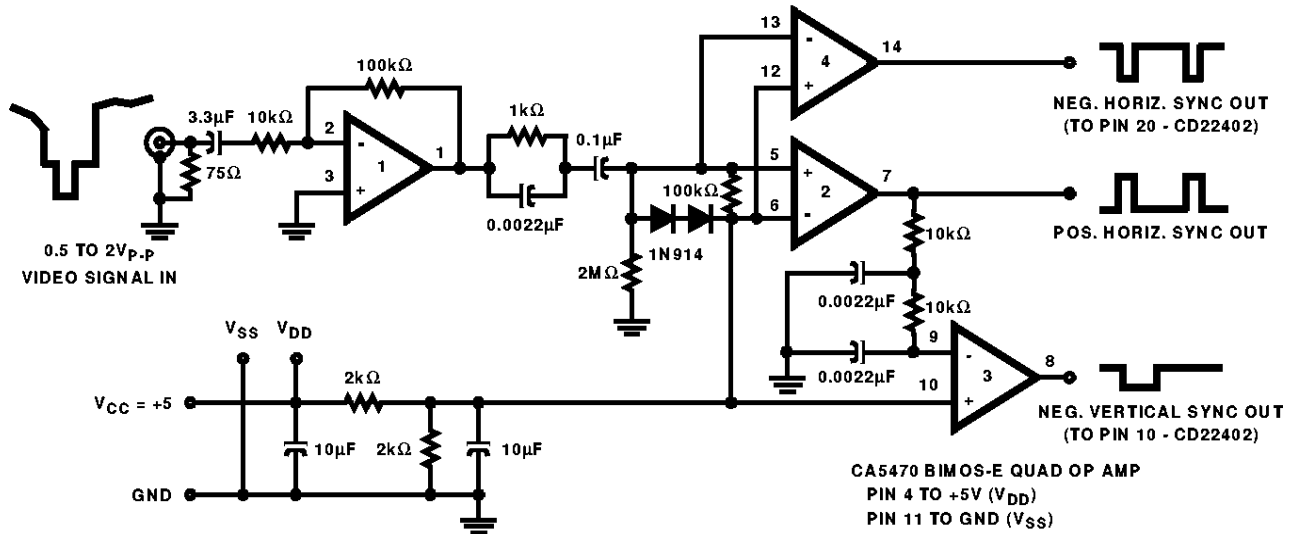


FIGURE 11. TYPICAL APPLICATION IN A TV CAMERA



NOTE: The genlock input to pins 10 and 20 of the CD22402 are direct coupled to the output from Pins 8 and 14 of the CA5470. Refer to Application Note AN-8742 for additional information.

FIGURE 12. SUGGESTED SYNC-SEPARATOR CIRCUIT USING THE CA5470 BIMOS-E QUAD OP AMP IN THE V_{DD} RANGE OF 4V TO 12V

All Harris Semiconductor products are manufactured, assembled and tested under **ISO9000** quality systems certification.

Harris Semiconductor products are sold by description only. Harris Semiconductor reserves the right to make changes in circuit design and/or specifications at any time without notice. Accordingly, the reader is cautioned to verify that data sheets are current before placing orders. Information furnished by Harris is believed to be accurate and reliable. However, no responsibility is assumed by Harris or its subsidiaries for its use; nor for any infringements of patents or other rights of third parties which may result from its use. No license is granted by implication or otherwise under any patent or patent rights of Harris or its subsidiaries.

Sales Office Headquarters

For general information regarding Harris Semiconductor and its products, call **1-800-4-HARRIS**

NORTH AMERICA
 Harris Semiconductor
 P. O. Box 883, Mail Stop 53-210
 Melbourne, FL 32902
 TEL: 1-800-442-7747
 (407) 729-4984
 FAX: (407) 729-5321

EUROPE
 Harris Semiconductor
 Mercure Center
 100, Rue de la Fusee
 1130 Brussels, Belgium
 TEL: (32) 2.724.2111
 FAX: (32) 2.724.22.05

ASIA
 Harris Semiconductor PTE Ltd.
 No. 1 Tannery Road
 Cencon 1, #09-01
 Singapore 1334
 TEL: (65) 748-4200
 FAX: (65) 748-0400

