

**PLEASE CHECK WWW.MOLEX.COM FOR LATEST PART INFORMATION**

**Part Number:** **0190430010**  
**Status:** **Active**  
**Description:** Three Way Connector, Dual Male, Single Female Quick Disconnect Adapter, .250 x .032 Tab Size, Non-Plated

**Documents:**

[Drawing \(PDF\)](#) [Product Specification PS-19902-013 \(PDF\)](#)  
[Product Specification PS-19902-011 \(PDF\)](#) [RoHS Certificate of Compliance \(PDF\)](#)

**General**

Product Family	Quick Disconnects
Series	<u>19043</u>
Crimp Quality Equipment	Yes
MolexKits	Yes
Product Name	Adapter
Type	Quick Disconnect

**Physical**

Barrel Type	N/A
Gender	Dual
Glow-Wire Compliant	No
Insulation	None
Lock to Mating Part	None
Orientation	Straight
Packaging Type	Bag
Tab Thickness	0.81mm (.032")
Tab Width	6.35mm (.250")
Termination Interface: Style	N/A
Wire Insulation Diameter	N/A
Wire Size AWG	N/A

**Electrical**

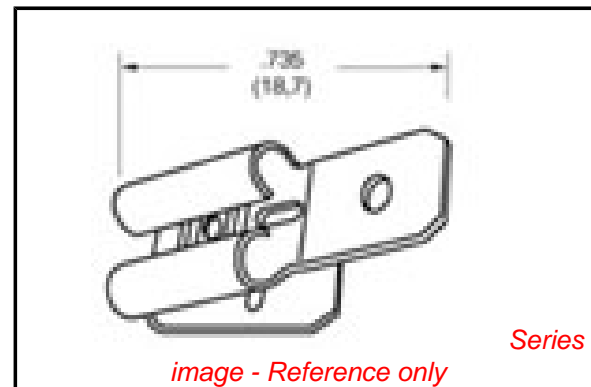
Voltage - Maximum	N/A
-------------------	-----

**Material Info**

Old Part Number	VWA-0
-----------------	-------

**Reference - Drawing Numbers**

Product Specification	PS-19902-011, PS-19902-013
Sales Drawing	SD-19043-003



**EU RoHS**

**ELV and RoHS  
Compliant**

**REACH SVHC**

**Contains SVHC: No  
Low-Halogen Status  
Not Reviewed**

**China RoHS**



**Need more information on product  
environmental compliance?**

Email [productcompliance@molex.com](mailto:productcompliance@molex.com)  
For a multiple part number RoHS Certificate of Compliance, [click here](#)

Please visit the [Contact Us](#) section for any non-product compliance questions.

**Search Parts in this Series**

19043Series