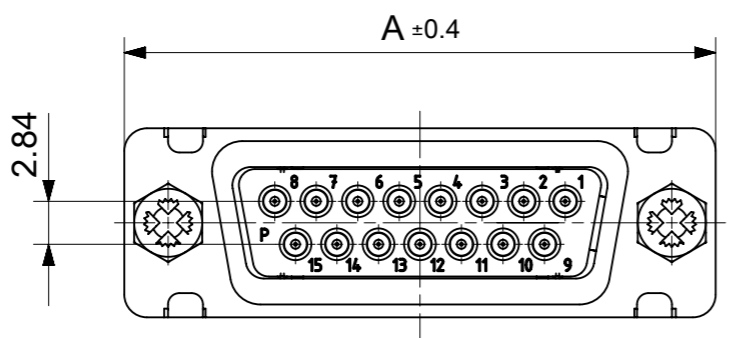
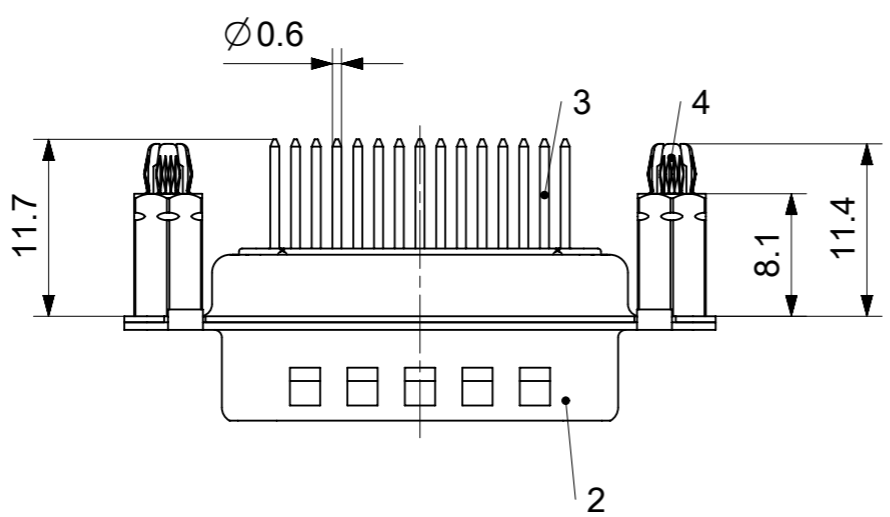
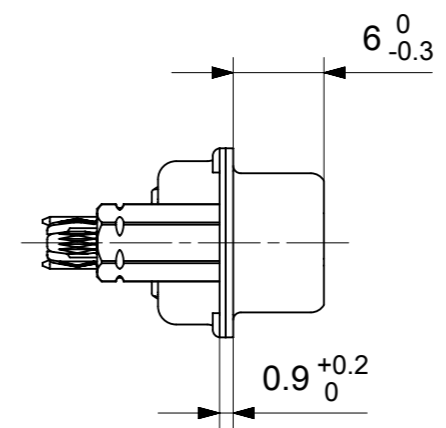
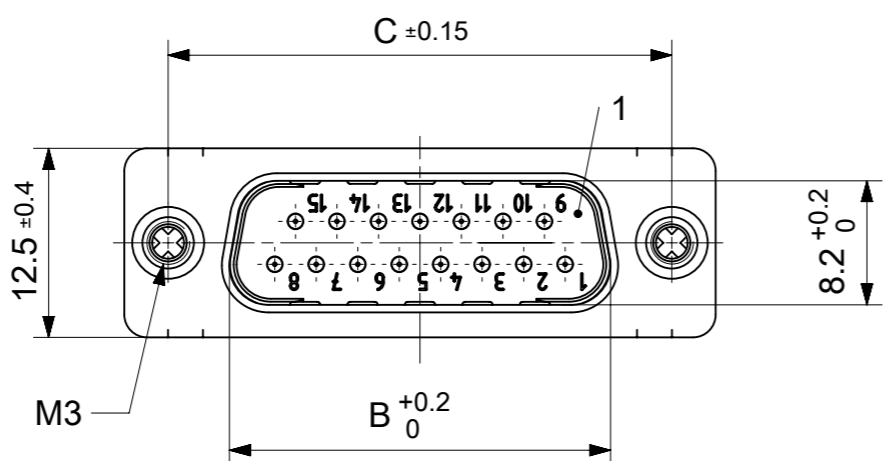


RoHS compliant
by exemption



FCT Part number:

FHxx*1)P22y*2)-0904

e.g. FH15P22G1-0904

*1) xx No. of contacts 09, 15, 25 or 37

*2) y for performance classes 1, 2 or 3

(contact cycle for G1/G2/G3 = 500/200/50)

Material Number	xx*1)	y*2)	A[mm]	B[mm]	C[mm]	*E[mm]	*F[mm]
1731090241	09	G2	30.8	16.9	25	Ø1	Ø3
1731090229	15	G2	39.1	25.2	33.3		
1731091670	25	G1	53	38.9	47.04		
1731090286		G2					
1731090243	37	G2	69.3	55.3	63.5		

*PCB hole patterns ØE, ØF see document 2195600023

No.	Pc.	Part	Type Description/Material	Surface plating/Color/Class
4	2	Snap-in bolt	PCB 1.6mm / Brass	tin plated
3	xx	Signal contact	P22 / Brass	G1 / G2
2	1	Shell	Steel	tin plated
1	1	Insulator	PCT (-55°C to +150°C)	natural

MEASUREMENTS WITHOUT TOLERANCE ACC TO ISO 2768-m REPLACEMENT FOR DOCUMENT NUMBER: FHxxP22Gy-0904

FUNCTIONAL SYMBOLS	THIS DRAWING CONTAINS INFORMATION THAT IS PROPRIETARY TO MOLEX ELECTRONIC TECHNOLOGIES, LLC AND SHOULD NOT BE USED WITHOUT WRITTEN PERMISSION	CURRENT REV DESC:		molex					
	<table border="1"> <tr> <th>DIMENSION UNITS</th> <th>SCALE</th> </tr> <tr> <td>mm</td> <td>2:1</td> </tr> </table>	DIMENSION UNITS	SCALE		mm	2:1	EC NO: 712793		FCT D-SUB MINIATURE CONNECTOR
	DIMENSION UNITS	SCALE							
	mm	2:1							
GENERAL TOLERANCES (UNLESS SPECIFIED)	DRWN: SKANDB 2021/12/13								
ANGULAR TOL ± °	CHK'D: MTEUBEL 2022/07/04								
4 PLACES ±	APPR: MTEUBEL 2022/07/04								
DIVISIONAL SYMBOLS	3 PLACES ±	INITIAL REVISION:		PRODUCT CUSTOMER DRAWING					
	2 PLACES ±	DRWN: SKANDB 2021/12/13							
	1 PLACE ±	APPR: MTEUBEL 2022/07/04							
	0 PLACES ±	DRAFT WHERE APPLICABLE MUST REMAIN WITHIN DIMENSIONS							
FIRST ANGLE PROJECTION		DRAWING	SERIES	DOCUMENT NUMBER	DOC TYPE	DOC PART	REVISION		
FIRST ANGLE PROJECTION		A3-SIZE	173109	1731090241	PSD	000	A		
MATERIAL NUMBER		CUSTOMER		SHEET NUMBER					
SEE TABLE		GENERAL MARKET		1 OF 1					



$\varnothing E$, $\varnothing F$ see data sheet incl. connector
 $\varnothing F$ connectors with accessories only

MEASUREMENTS WITHOUT TOLERANCE ACC TO ISO 2768-m			REPLACEMENT FOR DOCUMENT NUMBER: AM0023			
THIS DRAWING CONTAINS INFORMATION THAT IS PROPRIETARY TO MOLEX ELECTRONIC TECHNOLOGIES, LLC AND SHOULD NOT BE USED WITHOUT WRITTEN PERMISSION						
FUNCTIONAL SYMBOLS	DIMENSION UNITS	SCALE	CURRENT REV DESC:			
$\nabla_A = 0$	mm	2:1	EC NO: 713905			
$\nabla_E = 0$	GENERAL TOLERANCES (UNLESS SPECIFIED)		DRWN: SKANDB 2022/05/16			
$\nabla_P = 0$	ANGULAR TOL \pm °		CHK'D: MTEUBEL 2022/07/12			
DIVISIONAL SYMBOLS	4 PLACES \pm		APPR: MTEUBEL 2022/07/12			
	3 PLACES \pm		INITIAL REVISION:			
	2 PLACES \pm		DRWN: SKANDB 2022/05/16			
	1 PLACE \pm		APPR: MTEUBEL 2022/07/12			
	0 PLACES \pm		DOCUMENT NUMBER			
DRAFT WHERE APPLICABLE MUST REMAIN WITHIN DIMENSIONS		FIRST ANGLE PROJECTION	DRAWING	SERIES	MATERIAL NUMBER	CUSTOMER
			A3-SIZE	219560	219560	GENERAL MARKET
			PRODUCT CUSTOMER DRAWING		REVISION	
			2195600023		A	
			PSD 000		1 OF 1	