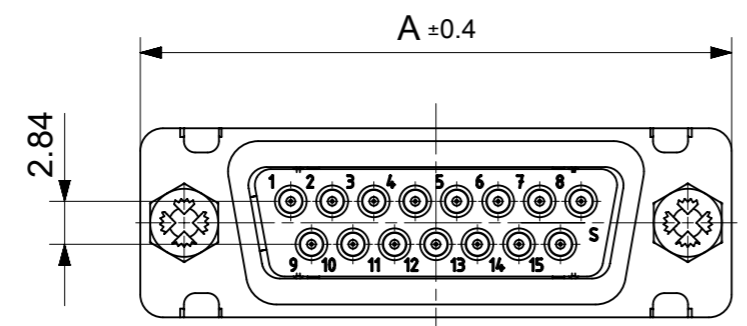
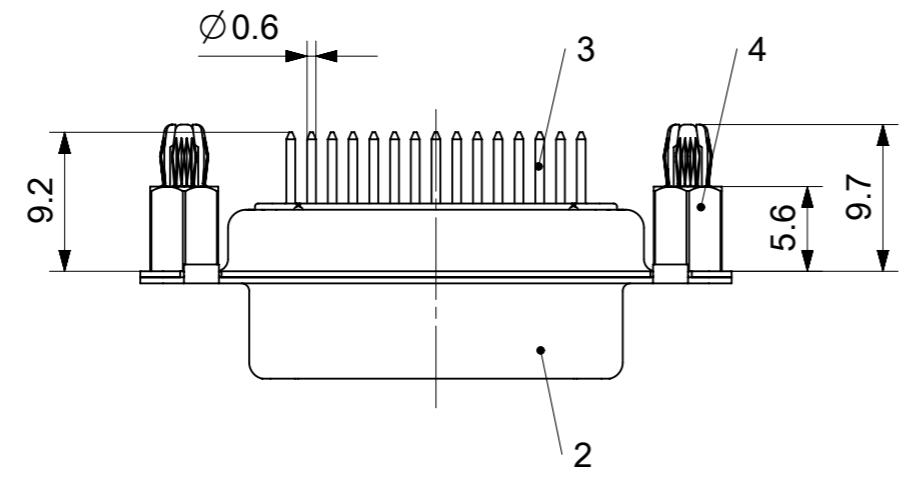
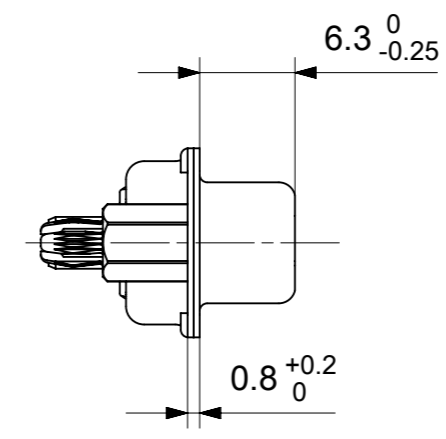
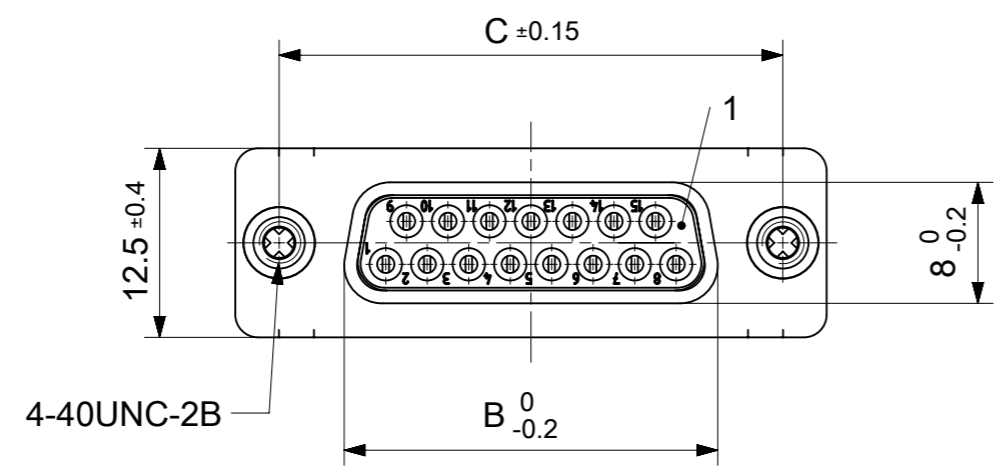


RoHS compliant  
by exemption



FCT Part number:

Fxx\*1)S24G2-1208

e.g. F15S24G2-1208

\*1) xx No. of contacts 09, 15, 25 or 37

\*2) y for performance classes 1, 2 or 3

(contact cycle for G1/G2/G3 = 500/200/50)

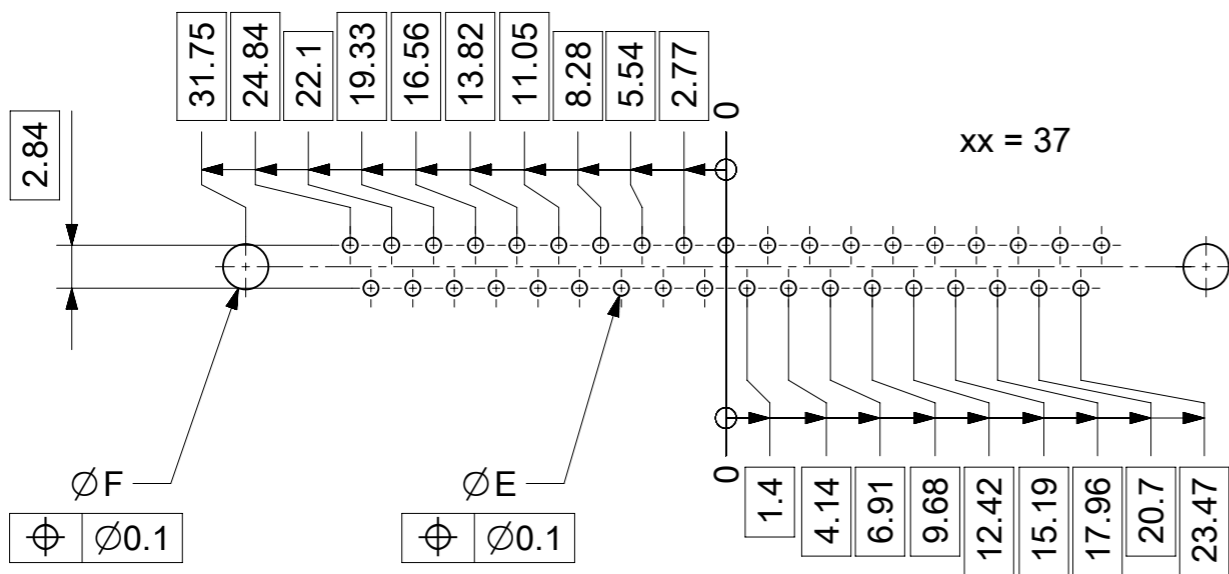
Material Number	xx*1)	y*2)	A[mm]	B[mm]	C[mm]	*E[mm]	*F[mm]
-	09	-	30.8	16.4	25	Ø1	Ø3
-	15	-	39.1	24.7	33.3		
1731091474	25	G2	53	38.5	47.04		
-	37	-	69.3	54.9	63.5		

\*PCB hole patterns ØE, ØF see document 2195600023

No.	Pc.	Part	Type Description/Material	Surface plating/Color/Class
4	2	Snap-in bolt	PCB 2.4mm / Brass	tin plated
3	xx	Signal contact	S24 / Brass	G2
2	1	Shell	Steel	tin plated
1	1	Insulator	PBT (-55°C to +125°C) acc. UL94V-0	white

MEASUREMENTS WITHOUT TOLERANCE ACC TO ISO 2768-m REPLACEMENT FOR DOCUMENT NUMBER: FxxS24Gy-1208

FUNCTIONAL SYMBOLS	THIS DRAWING CONTAINS INFORMATION THAT IS PROPRIETARY TO MOLEX ELECTRONIC TECHNOLOGIES, LLC AND SHOULD NOT BE USED WITHOUT WRITTEN PERMISSION	CURRENT REV DESC:		<b>molex</b>				
	<table border="1"> <tr> <th>DIMENSION UNITS</th> <th>SCALE</th> </tr> <tr> <td>mm</td> <td>2:1</td> </tr> </table>	DIMENSION UNITS	SCALE		mm	2:1	EC NO: 705230	
	DIMENSION UNITS	SCALE						
	mm	2:1						
GENERAL TOLERANCES (UNLESS SPECIFIED)		DRWN: SKANDB 2021/11/24						
ANGULAR TOL ± °		CHK'D: MTEUBEL 2022/05/09						
DIVISIONAL SYMBOLS	4 PLACES ±	APPR: MTEUBEL 2022/05/09	PRODUCT CUSTOMER DRAWING					
	3 PLACES ±	INITIAL REVISION:	DOCUMENT NUMBER	DOC TYPE				
	2 PLACES ±	DRWN: SKANDB 2021/11/24	1731091474	PSD				
	1 PLACE ±	APPR: MTEUBEL 2022/05/09	000	A				
DRAFT WHERE APPLICABLE MUST REMAIN WITHIN DIMENSIONS		FIRST ANGLE PROJECTION	DRAWING	SHEET NUMBER				
			A3-SIZE	1 OF 1				
		SERIES	MATERIAL NUMBER	CUSTOMER				
		173109	SEE TABLE	GENERAL MARKET				



ØE, ØF see data sheet incl. connector  
 ØF connectors with accessories only

MEASUREMENTS WITHOUT TOLERANCE ACC TO ISO 2768-m			REPLACEMENT FOR DOCUMENT NUMBER: AM0023					
THIS DRAWING CONTAINS INFORMATION THAT IS PROPRIETARY TO MOLEX ELECTRONIC TECHNOLOGIES, LLC AND SHOULD NOT BE USED WITHOUT WRITTEN PERMISSION								
FUNCTIONAL SYMBOLS	DIMENSION UNITS	SCALE	CURRENT REV DESC:					
$\nabla_A = 0$	mm	2:1	EC NO: 713905 DRWN: SKANDB 2022/05/16 CHK'D: MTEUBEL 2022/07/12 APPR: MTEUBEL 2022/07/12 INITIAL REVISION: DRWN: SKANDB 2022/05/16 APPR: MTEUBEL 2022/07/12					
$\nabla_E = 0$	GENERAL TOLERANCES (UNLESS SPECIFIED)					<b>molex</b>  FCT PCB HOLE PATTERN STRAIGHT CONTACT NO. OF CONTACTS 09-37		
$\nabla_P = 0$	ANGULAR TOL ± °							
DIVISIONAL SYMBOLS	4 PLACES ±							
	3 PLACES ±		PRODUCT CUSTOMER DRAWING DOCUMENT NUMBER: 2195600023 DOC TYPE: PSD DOC PART: 000 REVISION: A					
	2 PLACES ±							
	1 PLACE ±							
	0 PLACES ±		MATERIAL NUMBER: 219560 CUSTOMER: GENERAL MARKET SHEET NUMBER: 1 OF 1					
DRAFT WHERE APPLICABLE MUST REMAIN WITHIN DIMENSIONS		FIRST ANGLE PROJECTION	DRAWING: A3-SIZE	SERIES: 219560				