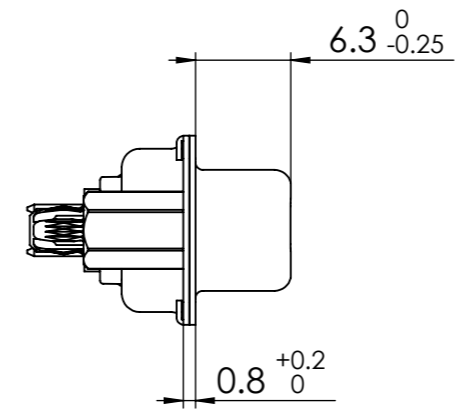
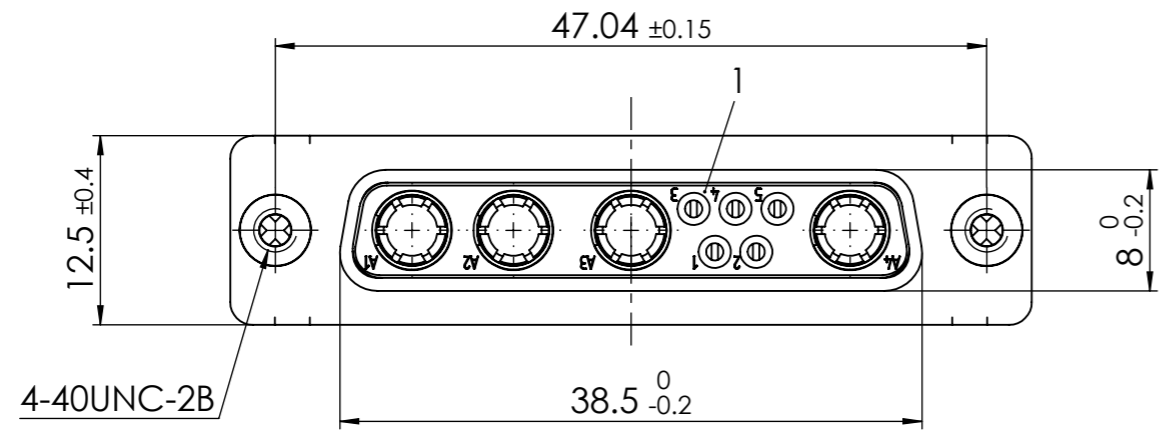
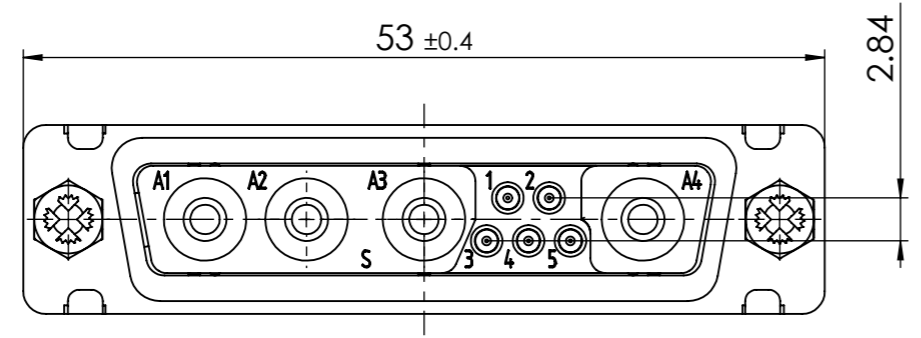
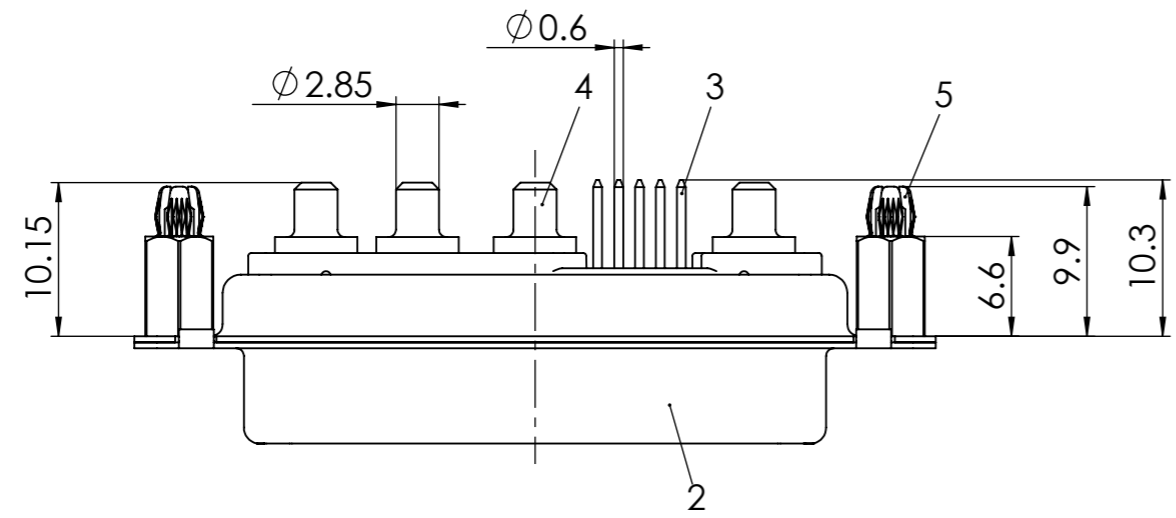
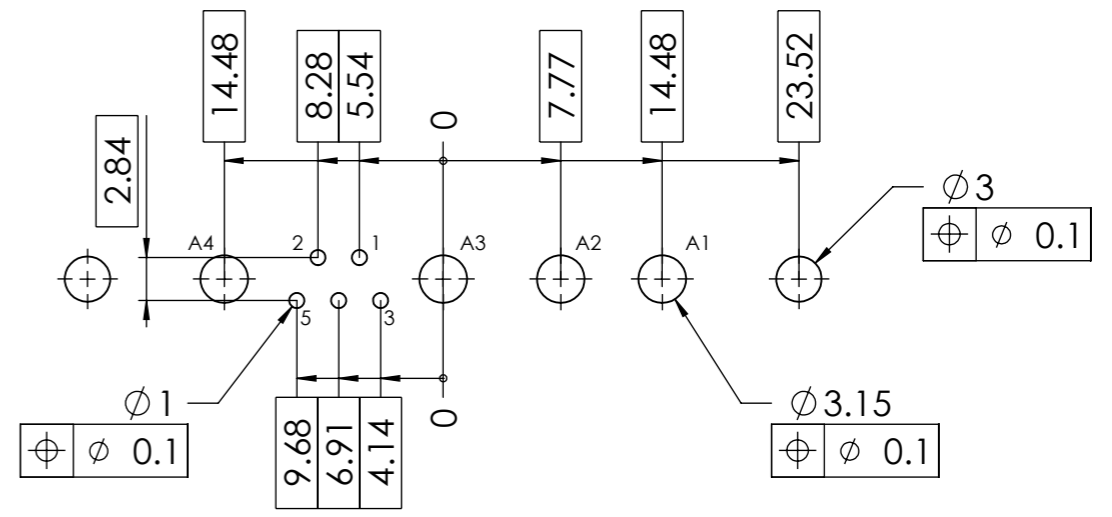


RoHS compliant
by exemption



PCB hole pattern, mounting side



5	2	Snap-in bolt	PCB 1.6mm / Brass	tin plated
4	4	High power contact	FMP010S104	20A
3	5	Signal contact	S1 / Brass	0.8µm Au
2	1	Shell	Steel	tin plated
1	1	Insulator	PBT (-55°C to +130°C) acc. UL94V-0	green
No.	St.	Part	Type Description/Material	Surface plating/Colour/Class

FUNCTIONAL SYMBOLS ▽ = 0 ▽ = 0 ▽ = 0					THIS DRAWING CONTAINS INFORMATION THAT IS PROPRIETARY TO MOLEX ELECTRONIC TECHNOLOGIES, LLC AND SHOULD NOT BE USED WITHOUT WRITTEN PERMISSION				
DIMENSION UNITS		SCALE		MEASUREMENTS WITHOUT TOLERANCE ACC. TO					
mm		2:1		ISO 2768-m					
CURRENT REVISION					PRODUCT CUSTOMER DRAWING				
DRWN: DRAWN BY		msteinbrueck		15-03-2023		FCT D-Sub Mixed-Layout Connector			
APPR: APPR BY		fvetter		16-03-2023		MATERIAL NUMBER			
INITIAL REVISION					REVISION				
DRWN: DRAWN BY		MTeubel		30-07-2020		1731071936			
APPR: APPR BY		msteinbrueck		31-07-2020		DOCUMENT NUMBER			
REPLACEMENT FOR:		FIRST ANGLE PROJECTION		DRAWING		FM9W4S1-1410		CUSTOMER	
				A3-SIZE		GENERAL MARKET		SHEET NUMBER	
								1 OF 1	

COMMENT: ALL RIGHTS ARE RESERVED BY US FOR THIS DRAWING. WITHOUT OUR PRIOR CONSENT, IT MAY NEITHER BE DUPLICATED NOR MADE AVAILABLE TO A THIRD PARTY. AND IT ALSO MAY NOT BE IMPROPERLY USED BY THE RECEIVER, OR A THIRD PARTY.