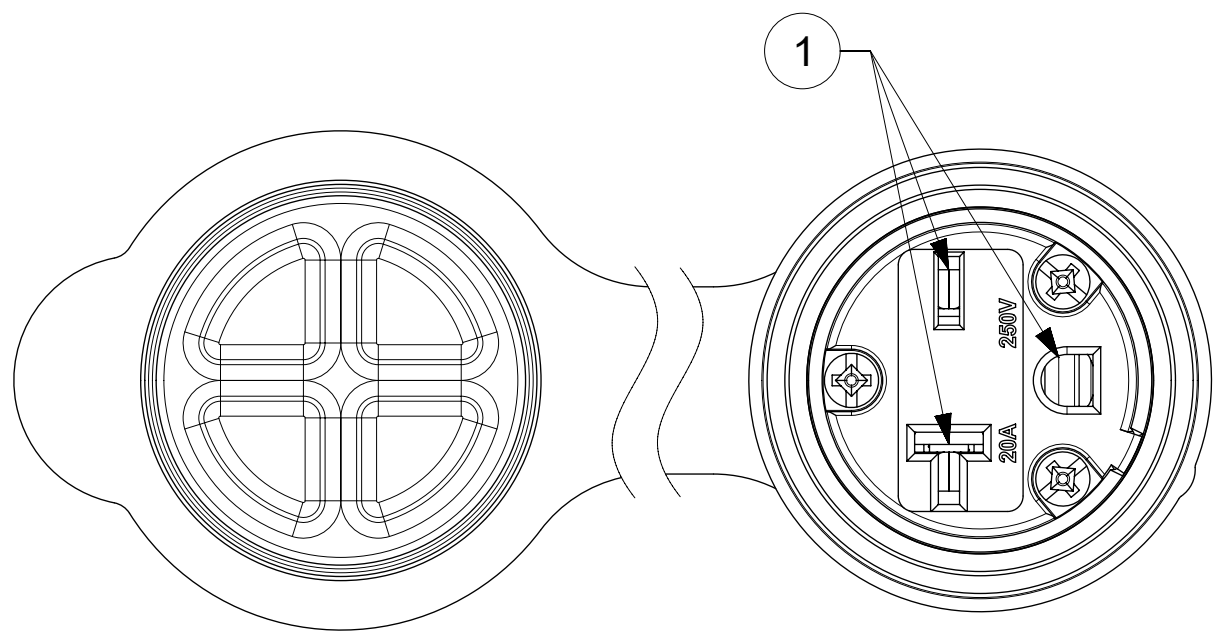
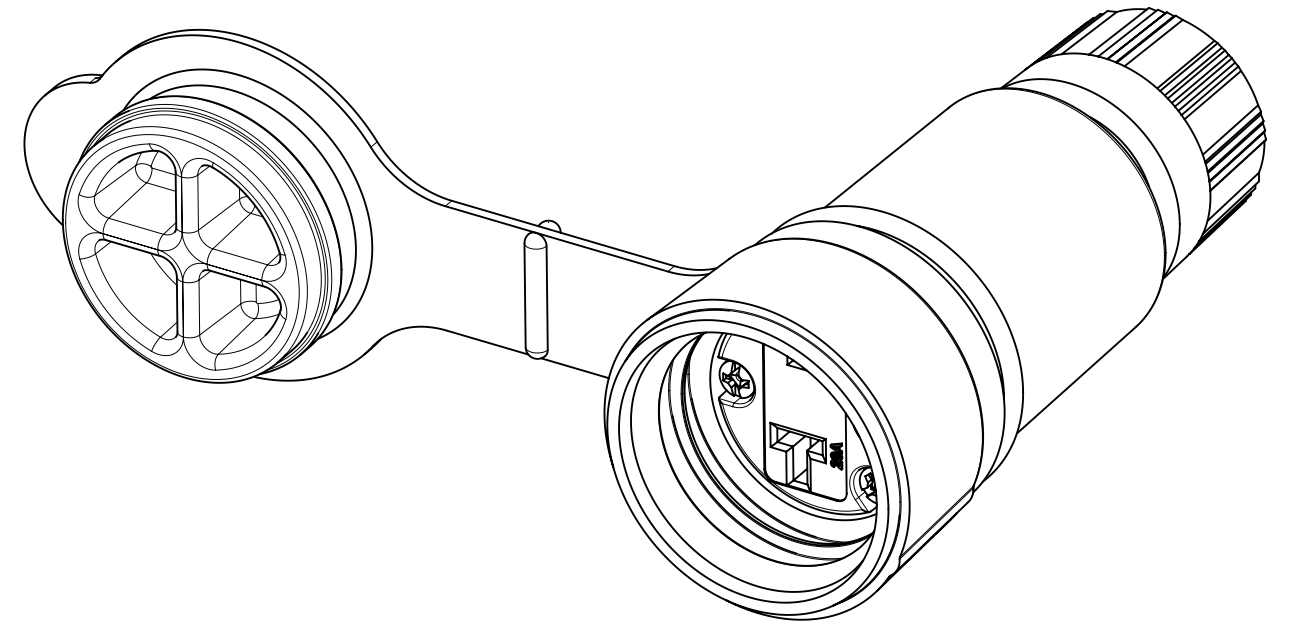
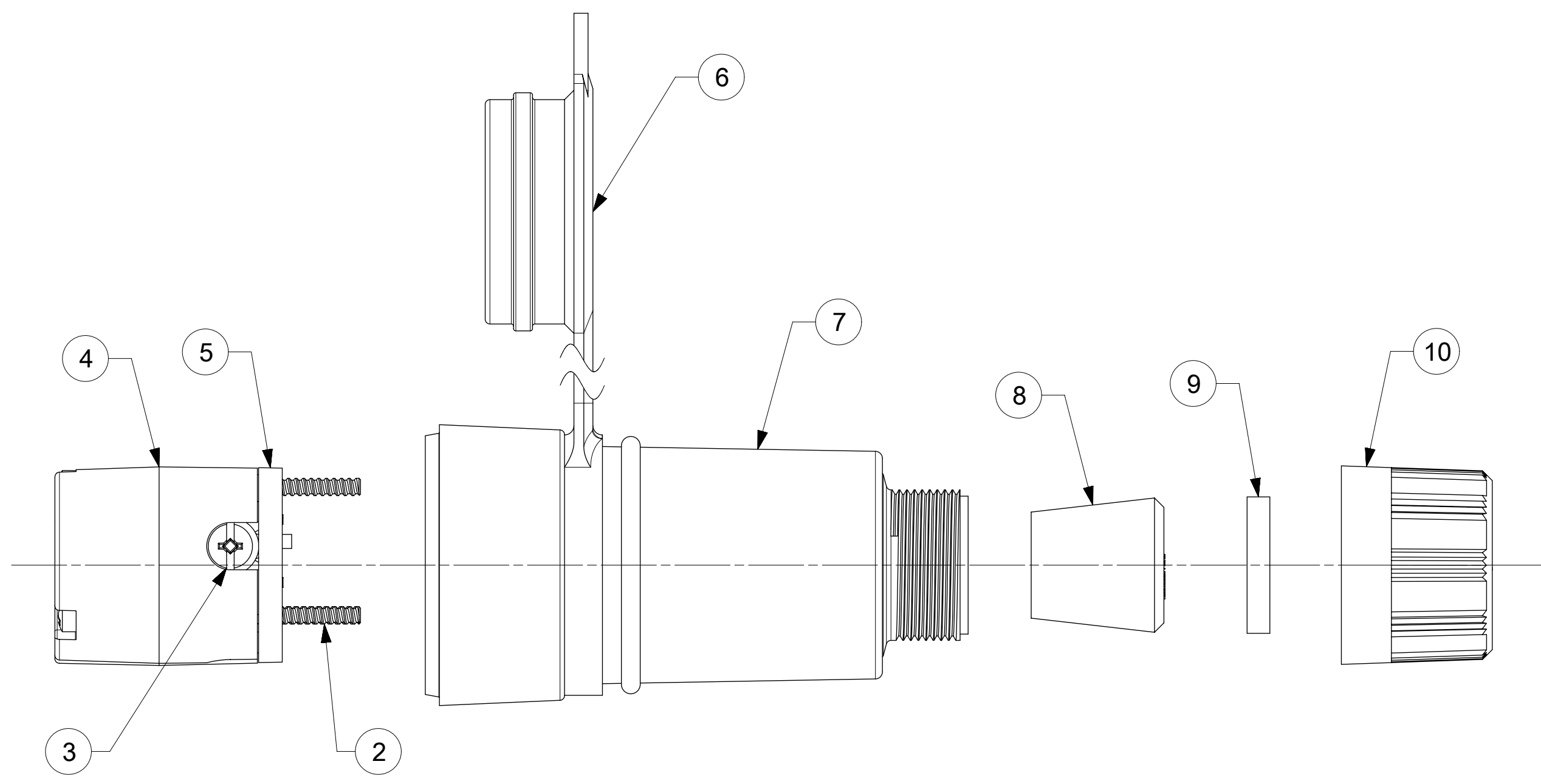
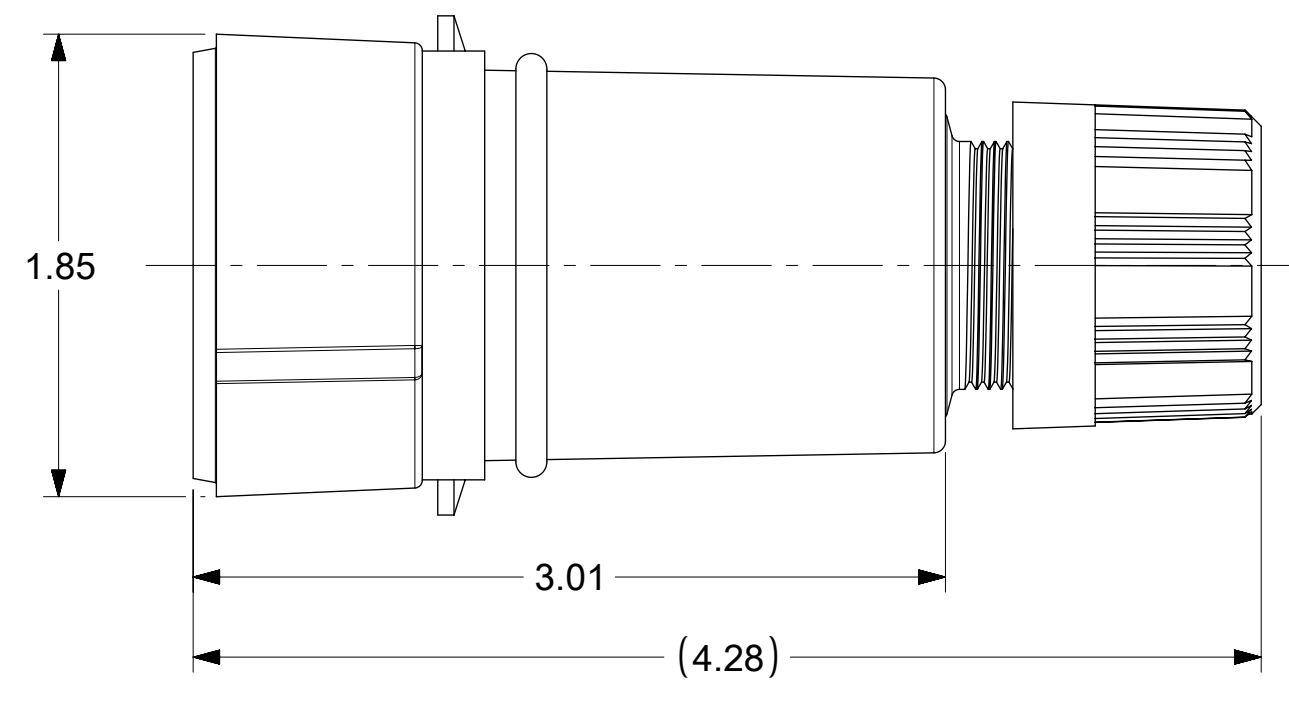


ORDER NO.	WOODHEAD NO.	COLOR
130146-0200	15W48-P	YELLOW
130146-0201	15W48BLK-P	BLACK



FACE VIEW



ITEM NO.	DESCRIPTIONS	MATERIAL	QTY.
1	BLADES	BRASS	3
2	RETAINING SCREWS	STAINLESS STEEL	3
3	TERMINAL SCREWS	BRASS, ZINC PLATED	3
4	INSERT	NYLON	1
5	TERMINAL COVER	POLYCARBONATE	1
6	FLIP COVER	SILICON	1
7	HOUSING	RUBBER WITH NYLON THREAD	1
8	GROMMETS	RUBBER	5
9	FRICTION RING	NYLON	1
10	COMPRESSION NUT	NYLON	1

NOTES:
 1. SEE INSTRUCTION SHEET NUMBER 1301414770 FOR PRODUCT SPECIFICATION.
 2. CABLE RANGE FROM 0.375" TO 0.625"
 PRE-RELEASE
 RELEASE
 USE ONLY

SYMBOLS		THIS DRAWING CONTAINS INFORMATION THAT IS PROPRIETARY TO MOLEX ELECTRONIC TECHNOLOGIES, LLC AND SHOULD NOT BE USED WITHOUT WRITTEN PERMISSION		CURRENT REV DESC: RELEASED	
▽ = 0	DIMENSION UNITS	SCALE	GENERAL TOLERANCES (UNLESS SPECIFIED)		
▽ = 0	INCH	NTS	ANGULAR TOL ± 0.5°		
▽ = 0	4 PLACES ±		EC NO: 613683		
▽ = 0	3 PLACES ± 0.005		DRWN: ABABU01 2018/11/13		
▽ = 0	2 PLACES ± 0.01		CHK'D: DNGUYEN62 2019/03/15		
▽ = 0	1 PLACE ± 0.02		APPR:		
⊠ = 0	0 PLACES ±		INITIAL REVISION:		
■ = 0	DRAFT WHERE APPLICABLE MUST REMAIN WITHIN DIMENSIONS		DRWN: ABABU01 2018/11/13		APPR:
▽ = 0	THIRD ANGLE PROJECTION		DRAWING	SERIES	MATERIAL NUMBER
	C-SIZE		130146	SEE TABLE	CUSTOMER
				GENERAL MARKET	SHEET NUMBER
					1 OF 1



WATERTITE CONNECTOR, 6-20R

PRODUCT CUSTOMER DRAWING

DOCUMENT NUMBER: 1301460200
 DOC TYPE: PSD
 DOC PART: 000
 REVISION: 1