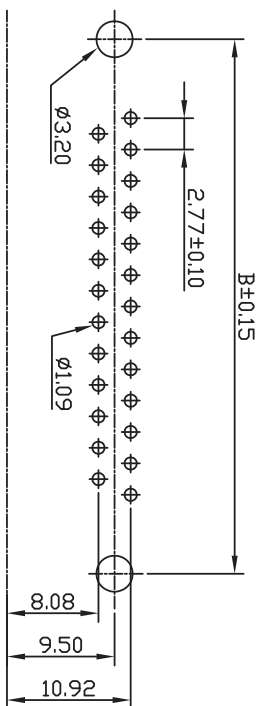
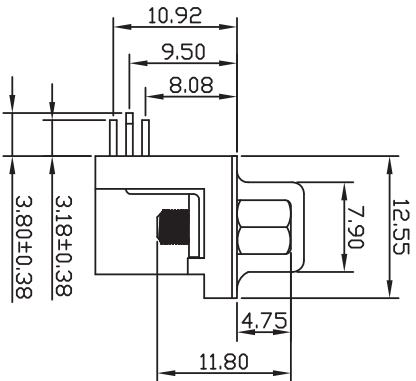


**SPECIFICATIONS**

**MATERIALS:**

1. INSULATOR: NY 6T
  2. CONTACT: BRASS
  3. CONTACT PLATED: GOLD FLASH OVER TIN OR GOLD PLATED OR TIN PLATED
  4. SHELL: STEEL, NICKEL PLATED
- SPECIFICATION:**
1. CURRENT RATING: 5 AMPS
  2. INSULATION RESISTANCE: 5000MΩ MIN. AT 500V DC
  3. DIELECTRIC STRENGTH: 500V FOR ONE MINUTE
  4. OPERATION TEMPERATURE: -55°C~+105°C



P.C.B. PLYOUT

PIN	A	B	C
9	16.30	24.99	30.80
15	24.60	33.30	39.20
25	38.30	47.04	53.10
37	54.80	63.50	69.34

NOTE: ALL DIMS ARE IN mm

08-176	05/09/08	B
07-290	06/05/07	A
ECN#	DATE	SYM

CHANGED THE DRAWING TO NEW PRINT		Vincent	JY
ADDED THE PAGE 3		Chris	JY
REVISION RECORD		AUTH	BY

SCALE	N/A
PROJECTION	1st Angle
TOLERANCE	EXCEPT AS NOTED
DEC. DIMENSIONS	X.X: ±0.25 X.XX: ±0.20 X.XXX: ±0.05
ANG.	.X°±1.0° .XX°±0.5°

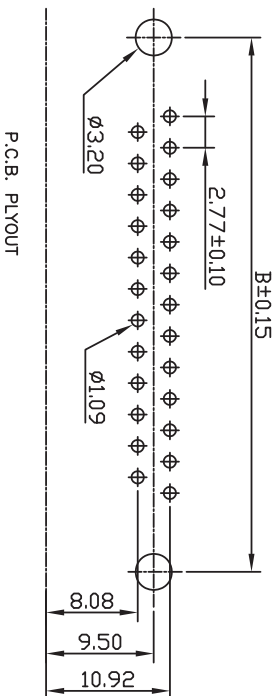
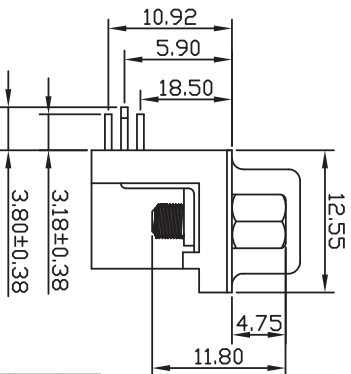
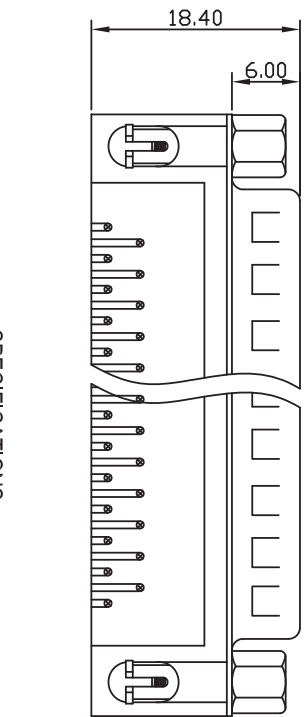
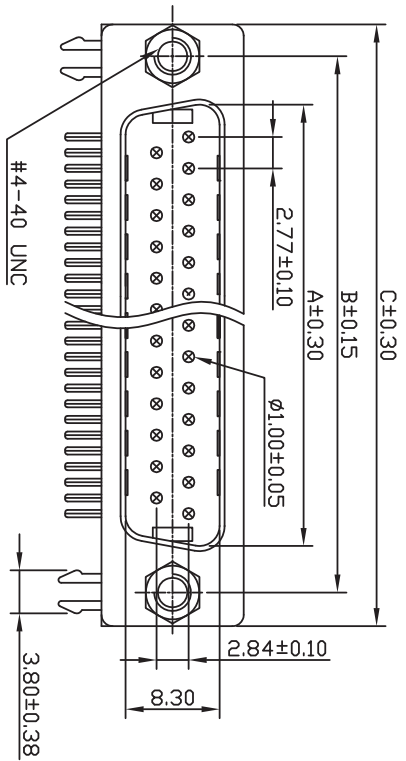
DR	Jin	DATE	03/23/07	REF.	P/N: DR6N SERIES MCF-NL	SHEET	1 OF 3
CK	GM	PRE-DS	DS	DRAWING NO.	3139	SIZE	F
TITLE							R/A D-Sub F w/ Nylon 6T-Rohs COMPLIANT



Research Develop Innovate

RDI, Inc. 400 Columbus Avenue Valhalla, NY 10595

THIS DOCUMENT IS OWNED BY, AND THE INFORMATION CONTAINED IN IT IS PROPRIETARY TO, RDI. BY RECEIPT HEREOF THE HOLDER AGREES NOT TO USE THE INFORMATION AND NOT TO DISCLOSE IT TO ANY THIRD PARTY, NOR REPRODUCE THIS DOCUMENT WITHOUT THE WRITTEN CONSENT OF RDI, AND AGREES TO RETURN THIS DOCUMENT UPON REQUEST.



PIN	A	B	C
9	16.90	24.99	30.80
15	25.25	33.30	39.20
25	38.96	47.04	53.10
37	55.42	63.50	69.34

**SPECIFICATIONS**

**MATERIALS:**

1. INSULATOR: NY 6T
2. CONTACT: BRASS
3. CONTACT PLATED: GOLD FLASH OVER TIN OR GOLD PLATED OR TIN PLATED
4. SHELL: STEEL, NICKEL PLATED

**SPECIFICATION:**

1. CURRENT RATING: 5 AMPS
2. INSULATION RESISTANCE: 1000MΩ MIN. AT 500V DC
3. DIELECTRIC STRENGTH: 500V FOR ONE MINUTE
4. OPERATION TEMPERATURE: -55°~+105°

CHANGED THE DRAWING TO NEW PRINT

ADDED THE PAGE 3

REVISION RECORD

ECN#	DATE	SYM
08-176	05/09/08	B
07-290	06/05/07	A

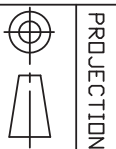

BY	AUTH
JY	Vincent
JY	Chris

TOLERANCE EXCEPT AS NOTED DEC. DIMENSIONS		N/A	
X.X: ±0.25 X.XX: ±0.20 X.XXX: ±0.05 ANG. X°±1.0° XX'±0.5'		DR. Jln DATE 03/23/07 P/N: DR6N SERIES MCF-NL REF. DRAWING NO. 3139 SIZE F SHEET 2 OF 3 REV. B	
TITLE: R/A D-Sub M w/ Nylon 6T-ROHS COMPLIANT			
Research Develop Innovate RDI, Inc. 400 Columbus Avenue Valhalla, NY 10595			
THIS DOCUMENT IS OWNED BY AND THE INFORMATION CONTAINED IN IT IS PROPRIETARY TO RDI. BY RECEIPT HEREOF THE HOLDER AGREES NOT TO USE THE INFORMATION AND NOT TO DISCLOSE IT TO ANY THIRD PARTY, NOR REPRODUCE THIS DOCUMENT WITHOUT THE WRITTEN CONSENT OF RDI, AND AGREES TO RETURN THIS DOCUMENT UPON REQUEST.			

DR6N - X XX X - NJ - X - X - X - NL  
 1 2 3 4 5 6 7 8 9

1. DR6N=DR SERIES WITH NYLON 6T PLASTIC INSULATOR(HIGH TEMPERATURE)
2. SHELL SIZE: E=9 A=15 B=25 C=37
3. NUMBER OF CONTACTS: 9,15,25,37
4. TYPE OF CONTACT: P=PIN CONTACT(PLUG) S=SOCKET CONTACT(RECEPTACLE)
5. NJ=MOUNTING OPTIONS W/GROUNDING BRACKETS(LOCKING TYPE) AND 4-40 RIVETED THREADED INSERTS WITH THE JACKSCREWS ASSEMBLED TO THE CONNECTOR
6. CONTACT FINISH: 0=GOLD FLASH,1=SELECTIVE GOLD FLASH 2=5u" 3=10u" 4=15u" 5=20u" 6=30u"
7. INSULATOR COLOR: 0=BLACK,1=WHITE,2=BLUE,3=GREY,4=ORANGE,5=GREEN
8. SHELL PLATING: Cu 60u"/Ni 100-120u"
9. RoHS COMPLIANT

08-176	05/09/08	B	CHANGED THE DRAWING TO NEW PRINT	Vincent JY	JY
07-290	06/05/07	A	ADDED THE PAGE 3	Chris JY	JY
ECN#	DATE	SYM	REVISION RECORD	AUTH	BY

			
PROJECTION SCALE N/A TOLERANCE EXCEPT AS NOTED DEC. DIMENSIONS X.X: ±0.25 X.XX: ±0.20 X.XXX: ±0.05 ANG. X°±1.0° .XX±0.5°		Research Develop Innovate RDI Inc. 400 Columbus Avenue Valhalla, NY 10595	
TITLE	DR	DATE	REF.
R/A D-Sub M w/ Nylon 6T-RoHS COMPLIANT	Jln	03/23/07	P/N DR6N SERIES MCF-NL
SCALE	CK	PRE-DS	DRAWING NO. 3139
	GM		SIZE F
			REV. B
SHEET 3 OF 3			
THIS DOCUMENT IS OWNED BY, AND THE INFORMATION CONTAINED IN IT IS PROPRIETARY TO, RDI. BY RECEIPT HEREOF THE HOLDER AGREES NOT TO USE THE INFORMATION AND NOT TO DISCLOSE IT TO ANY THIRD PARTY, NOR REPRODUCE THIS DOCUMENT WITHOUT THE WRITTEN CONSENT OF RDI, AND AGREES TO RETURN THIS DOCUMENT UPON REQUEST.			