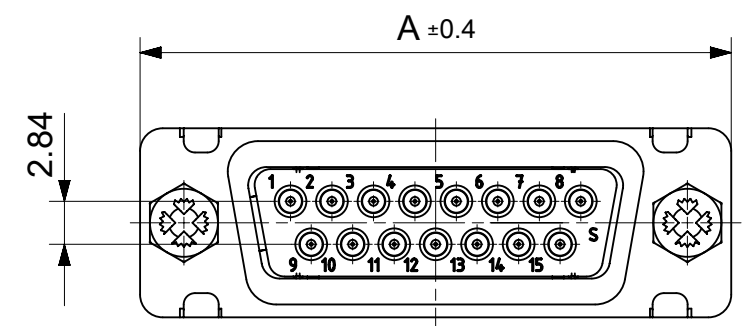
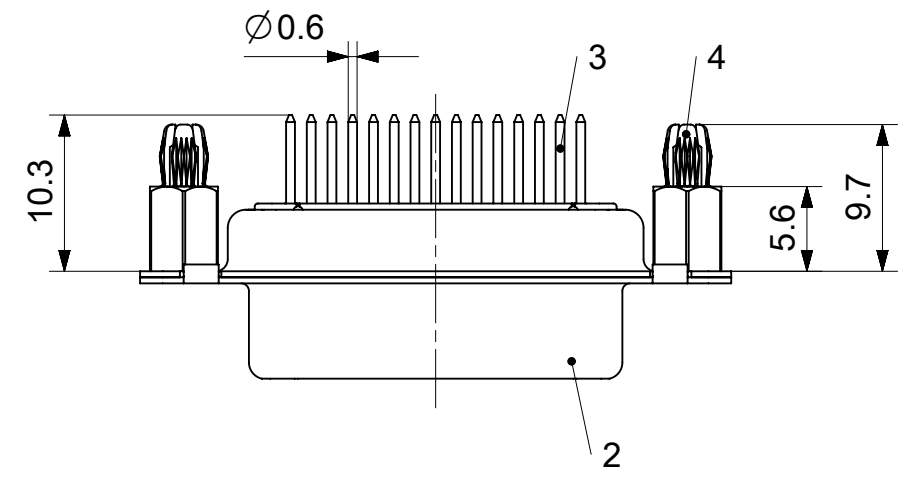
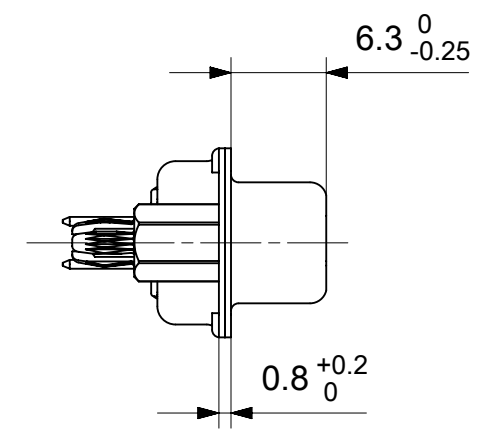
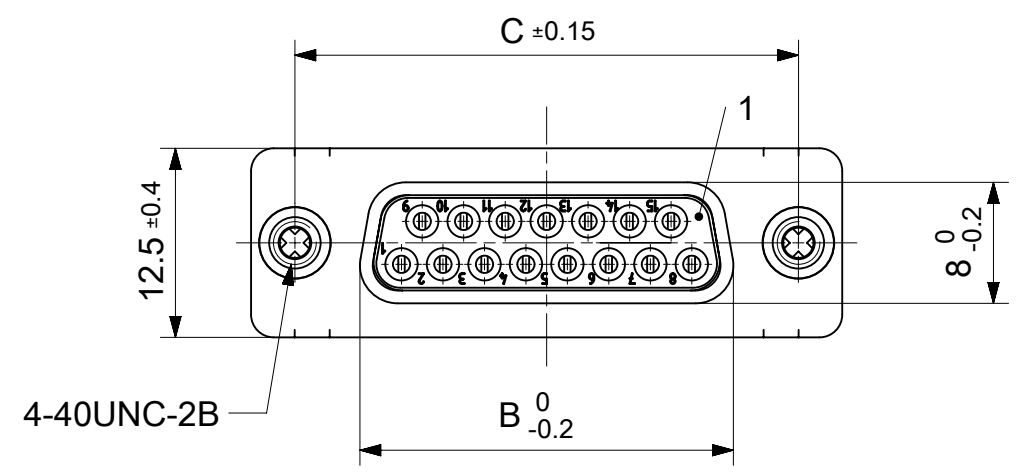


RoHS compliant
by exemption



FCT Part number:

Fxx*1)S1y*2)-1208

e.g. F15S1G1-1208

*1) xx No. of contacts 09, 15, 25 or 37

*2) y for performance classes 1, 2 or 3

(contact cycle for G1/G2/G3 = 500/200/50)

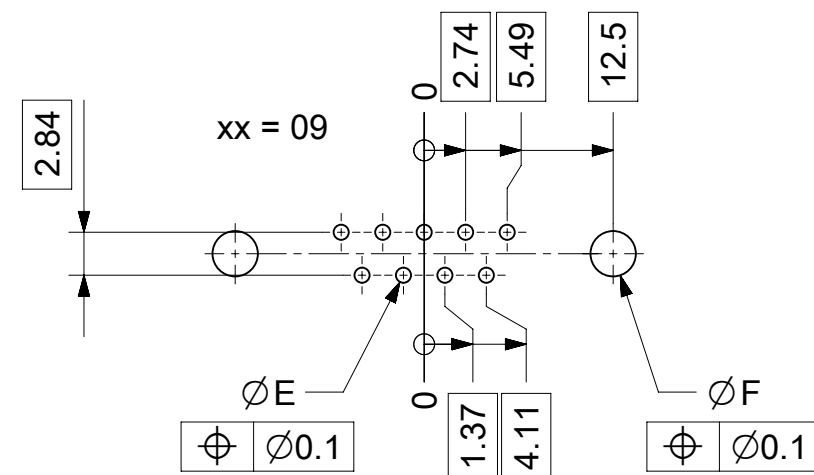
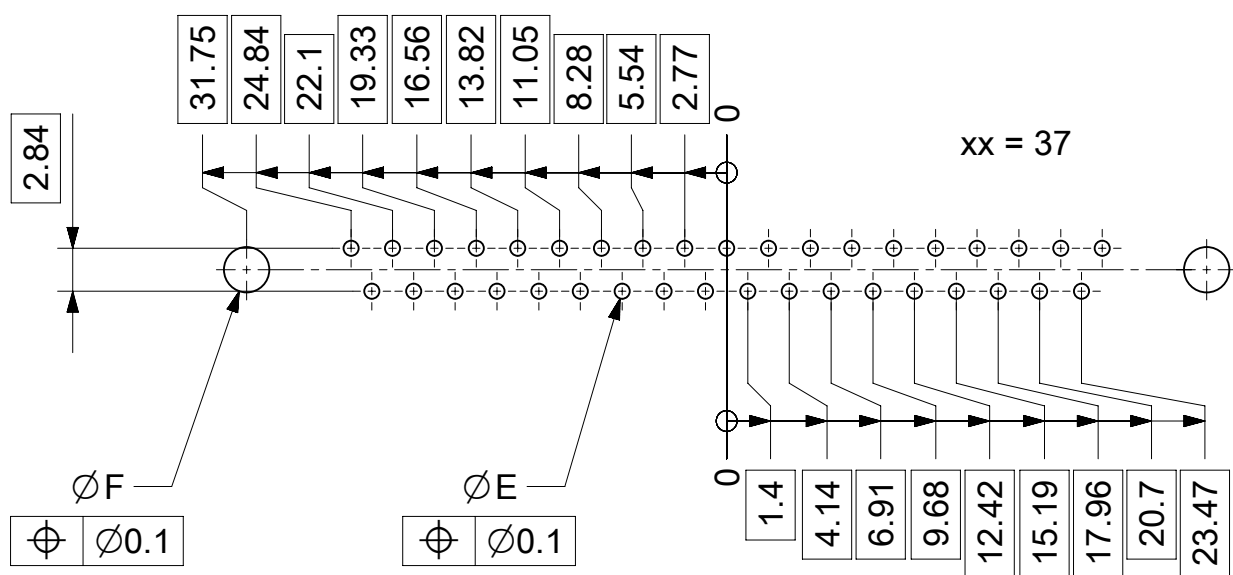
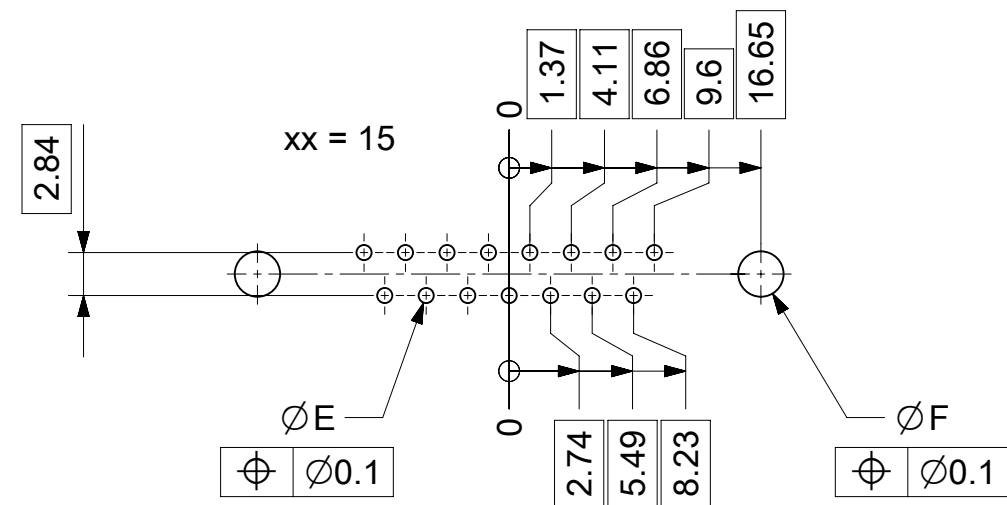
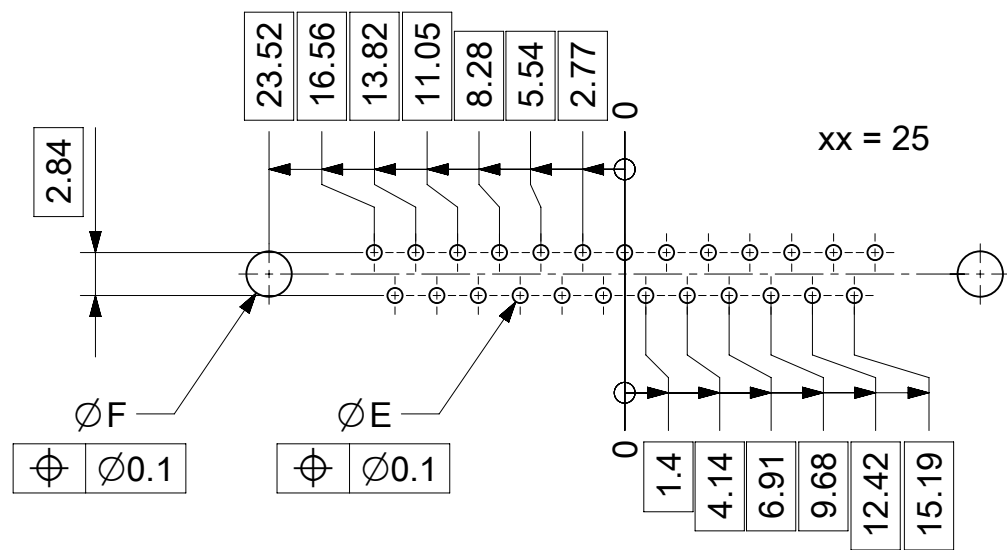
| Material Number | xx*1) | y*2) | A[mm] | B[mm] | C[mm] | D[mm] | *E[mm] | *F[mm] |
|-----------------|-------|------|-------|-------|-------|-------|--------|--------|
| 1731091166 | 09 | G2 | 30.8 | 16.4 | 25 | 19.3 | Ø1 | Ø3 |
| - | 15 | - | 39.1 | 24.7 | 33.3 | 27.5 | | |
| 1731090626 | 25 | G3 | 53 | 38.5 | 47.04 | 41.3 | | |
| - | 37 | - | 69.3 | 54.9 | 63.5 | 57.7 | | |

*PCB hole patterns ØE, ØF see document 2195600023

| 4 | 2 | Snap-in bolt | PCB 2.4mm / Brass | tin plated |
|-----|-----|----------------|------------------------------------|-----------------------------|
| 3 | xx | Signal contact | S1 / Brass | G2 / G3 |
| 2 | 1 | Shell | Steel | tin plated |
| 1 | 1 | Insulator | PBT (-55°C to +125°C) acc. UL94V-0 | white |
| No. | Pc. | Part | Type Description/Material | Surface plating/Color/Class |

MEASUREMENTS WITHOUT TOLERANCE ACC TO ISO 2768-m REPLACEMENT FOR DOCUMENT NUMBER: FxxS1Gy-1208

| FUNCTIONAL SYMBOLS | THIS DRAWING CONTAINS INFORMATION THAT IS PROPRIETARY TO MOLEX ELECTRONIC TECHNOLOGIES, LLC AND SHOULD NOT BE USED WITHOUT WRITTEN PERMISSION | CURRENT REV DESC: | | <h1>molex</h1> | | | | |
|---------------------------------------|---|--------------------------|-----------------------------|--------------------------|----------------------|-----|---------------|--|
| | <table border="1"> <tr> <th>DIMENSION UNITS</th> <th>SCALE</th> </tr> <tr> <td>mm</td> <td>2:1</td> </tr> </table> | DIMENSION UNITS | SCALE | | mm | 2:1 | EC NO: 707726 | |
| | DIMENSION UNITS | SCALE | | | | | | |
| | mm | 2:1 | | | | | | |
| GENERAL TOLERANCES (UNLESS SPECIFIED) | DRWN: SKANDB 2021/12/03 | | | | | | | |
| ANGULAR TOL ± ° | CHK'D: MTEUBEL 2022/05/25 | | | | | | | |
| DIVISIONAL SYMBOLS | 4 PLACES ± | APPR: MTEUBEL 2022/05/25 | | PRODUCT CUSTOMER DRAWING | | | | |
| | 3 PLACES ± | INITIAL REVISION: | | | | | | |
| | 2 PLACES ± | DRWN: SKANDB 2021/12/03 | | | | | | |
| | 1 PLACE ± | APPR: MTEUBEL 2022/05/25 | | | | | | |
| 0 PLACES ± | DRAFT WHERE APPLICABLE MUST REMAIN WITHIN DIMENSIONS | | DOCUMENT NUMBER: 1731091166 | | | | | |
| FIRST ANGLE PROJECTION | | DRAWING: A3-SIZE | SERIES: 173109 | DOC TYPE: PSD | DOC PART: 000 | | | |
| MATERIAL NUMBER: SEE TABLE | | CUSTOMER: GENERAL MARKET | | REVISION: A | SHEET NUMBER: 1 OF 1 | | | |



ØE, ØF see data sheet incl. connector
 ØF connectors with accessories only

| | | | | | | |
|---|---------------------------------------|------------------------|---|--------|-----------------|----------------|
| MEASUREMENTS WITHOUT TOLERANCE ACC TO ISO 2768-m | | | REPLACEMENT FOR DOCUMENT NUMBER: AM0023 | | | |
| THIS DRAWING CONTAINS INFORMATION THAT IS PROPRIETARY TO MOLEX ELECTRONIC TECHNOLOGIES, LLC AND SHOULD NOT BE USED WITHOUT WRITTEN PERMISSION | | | | | | |
| FUNCTIONAL SYMBOLS | DIMENSION UNITS | SCALE | CURRENT REV DESC: | | | |
| $\nabla_A = 0$ | mm | 2:1 | EC NO: 713905 | | | |
| $\nabla_E = 0$ | GENERAL TOLERANCES (UNLESS SPECIFIED) | | DRWN: SKANDB 2022/05/16 | | | |
| $\nabla_F = 0$ | ANGULAR TOL ± ° | | CHK'D: MTEUBEL 2022/07/12 | | | |
| DIVISIONAL SYMBOLS | 4 PLACES ± | | APPR: MTEUBEL 2022/07/12 | | | |
| | 3 PLACES ± | | INITIAL REVISION: | | | |
| | 2 PLACES ± | | DRWN: SKANDB 2022/05/16 | | | |
| | 1 PLACE ± | | APPR: MTEUBEL 2022/07/12 | | | |
| | 0 PLACES ± | | DOCUMENT NUMBER | | | |
| DRAFT WHERE APPLICABLE MUST REMAIN WITHIN DIMENSIONS | | FIRST ANGLE PROJECTION | DRAWING | SERIES | MATERIAL NUMBER | CUSTOMER |
| | | | A3-SIZE | 219560 | 219560 | GENERAL MARKET |
| | | | PRODUCT CUSTOMER DRAWING | | REVISION | |
| | | | 2195600023 | | A | |
| | | | PSD 000 | | 1 OF 1 | |