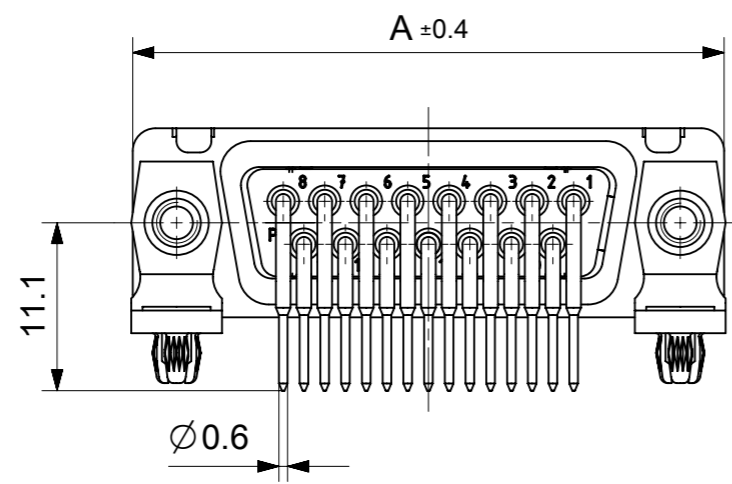
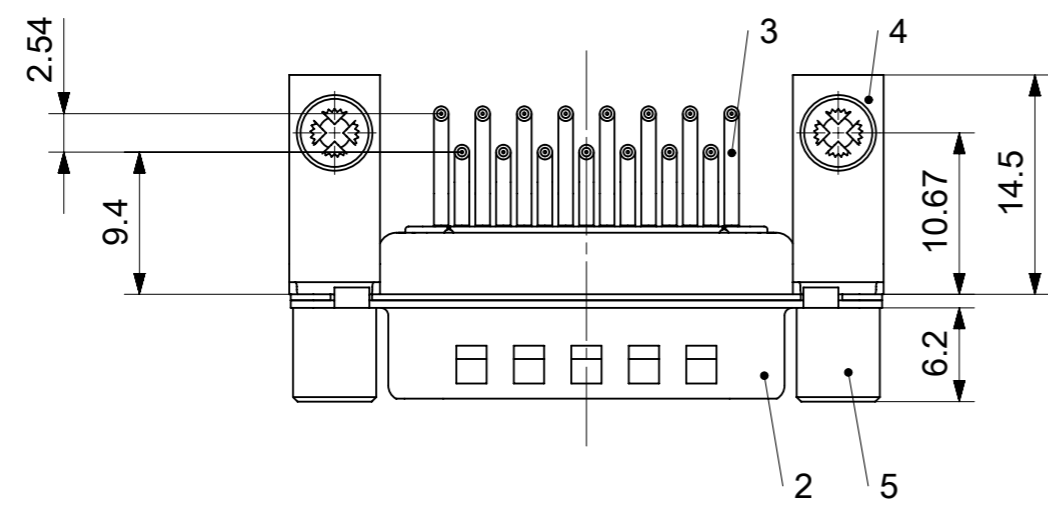
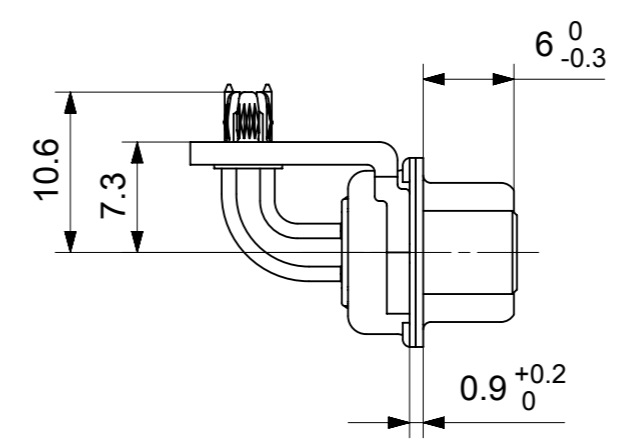
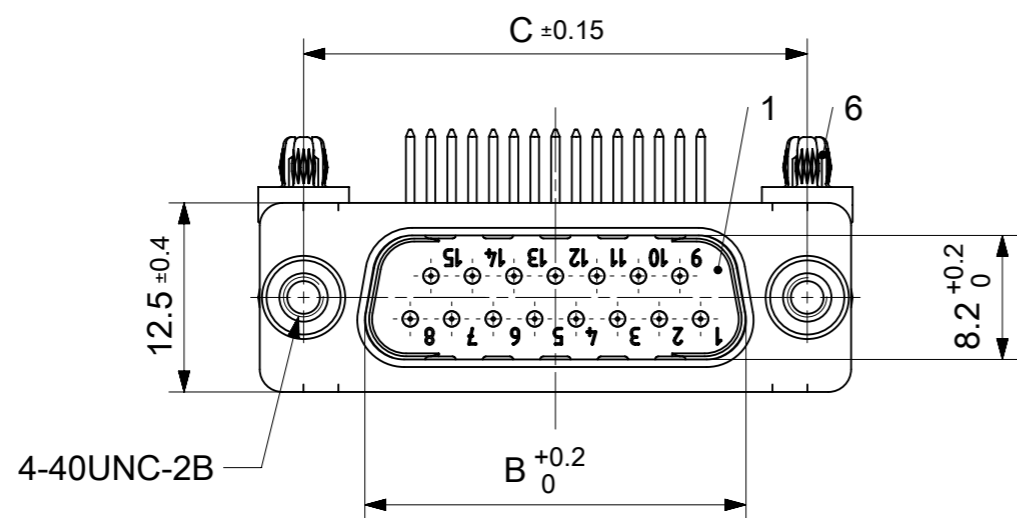


RoHS compliant  
by exemption



FCT Part number:

Fxx\*1)P5G2-1004

e.g. F15P5G2-1004

\*1) xx No. of contacts 09, 15, 25 or 37

\*2) y for performance classes 1, 2 or 3

(contact cycle for G1/G2/G3 = 500/200/50)

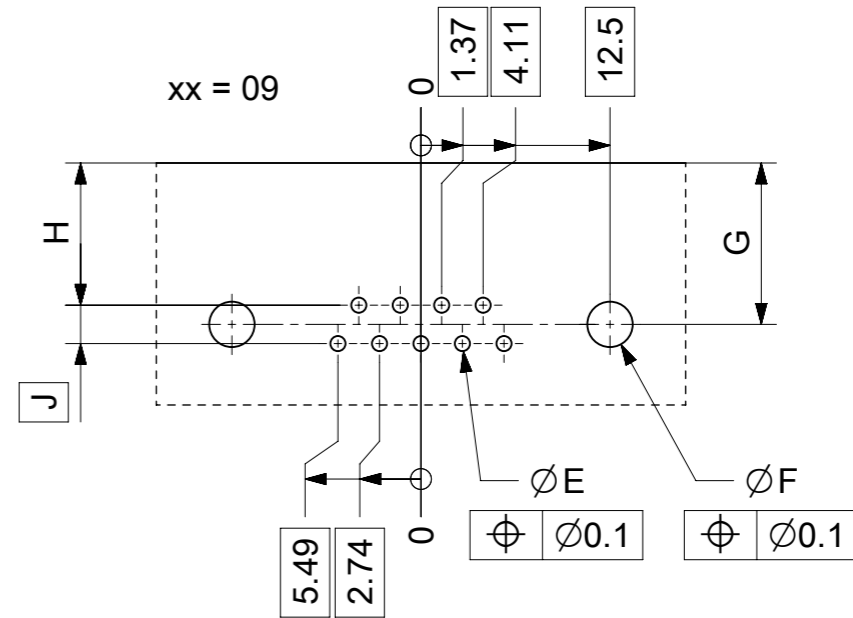
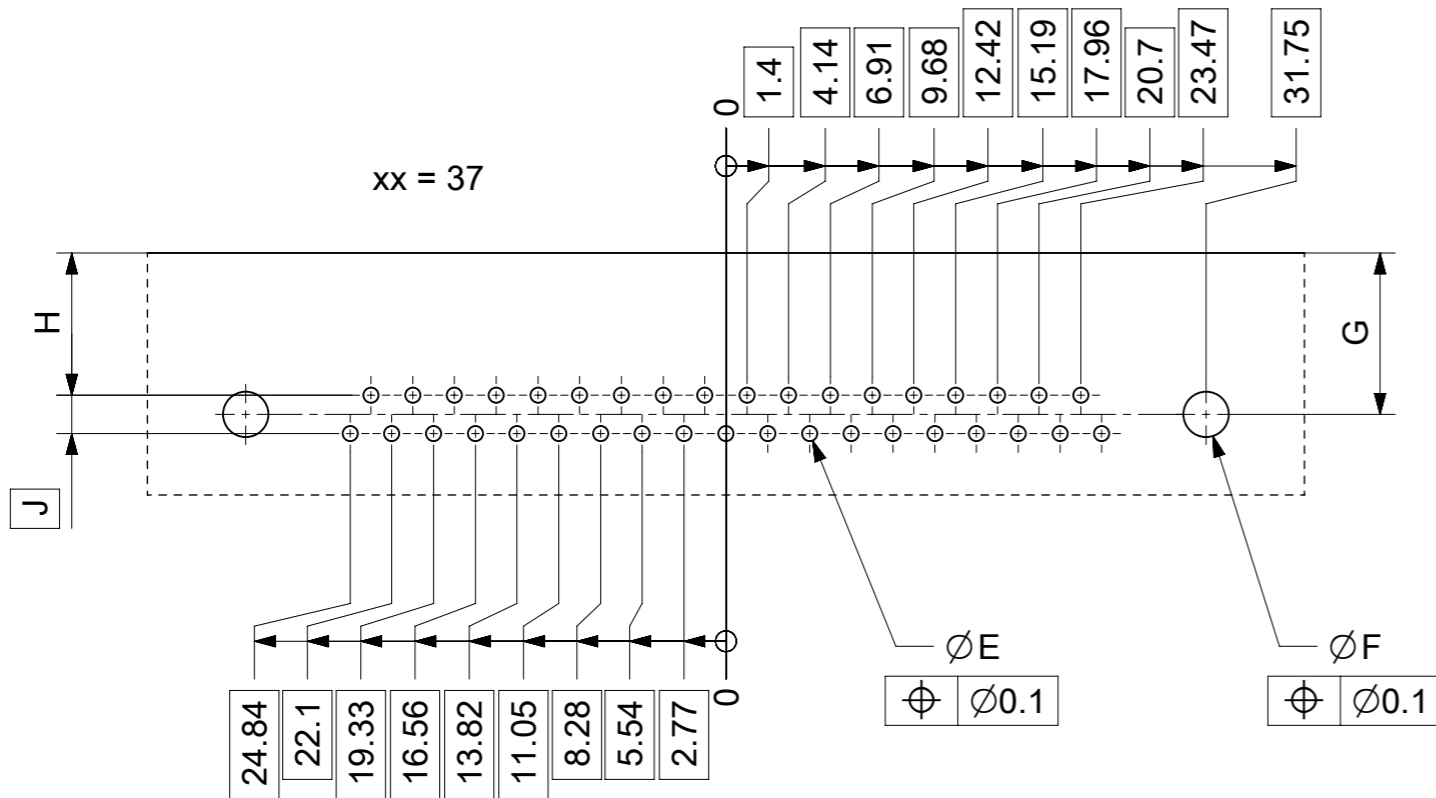
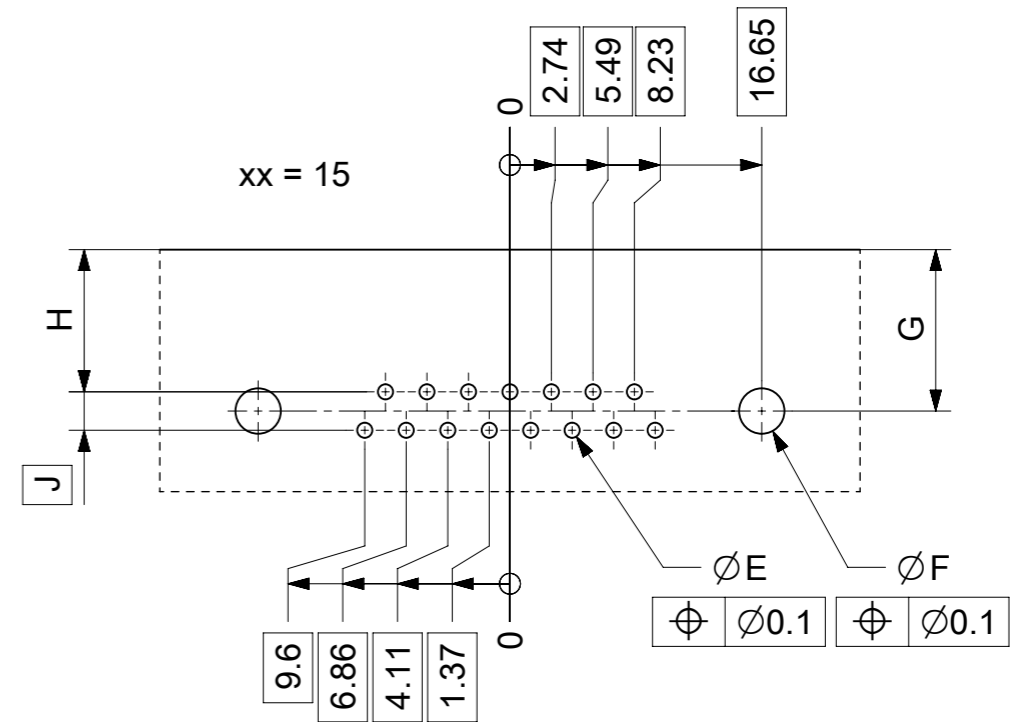
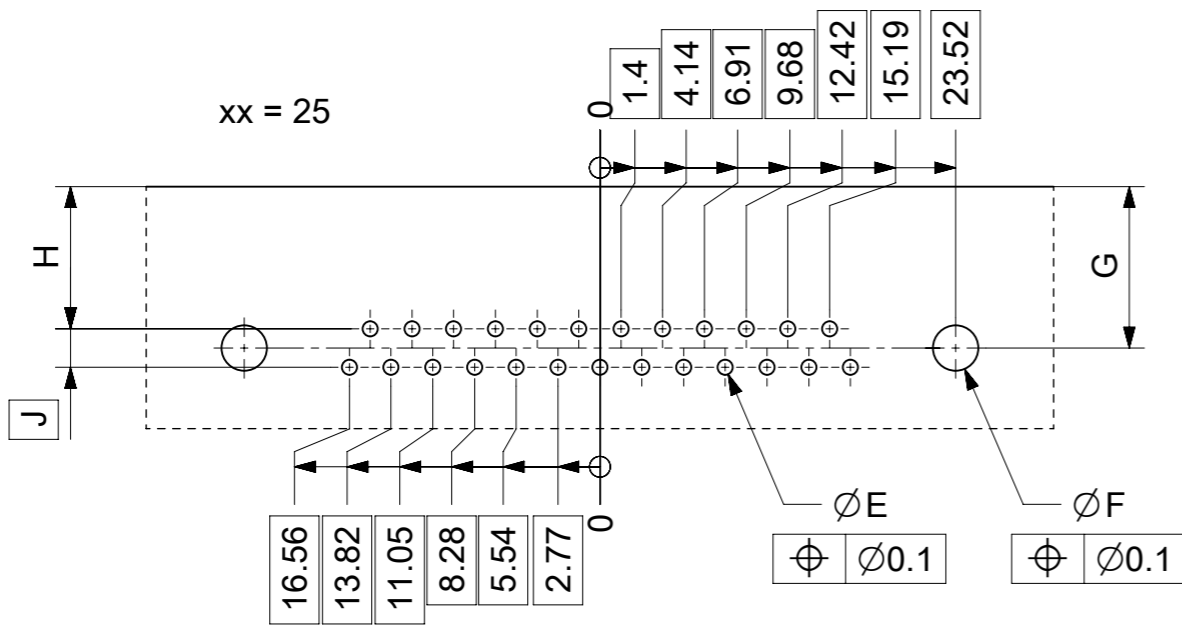
Material Number	xx*1)	y*2)	A [mm]	B [mm]	C [mm]	*E [mm]	*F [mm]	*G [mm]	*H [mm]	*J [mm]
1731090204	09	G2	30.8	16.9	25	Ø1	Ø3	10.67	9.4	2.54
1731090205	15	G2	39.1	25.2	33.3					
-	25	-	53	38.9	47.04					
-	37	-	69.3	55.3	63.5					

\*PCB hole patterns ØE, ØF, G, H, J see document 2195600024

No.	Pc.	Part	Type Description/Material	Surface plating/Color/Class
6	2	Snap-in rivet	PCB 1.6mm / Brass	tin plated
5	2	Threaded spacer	MW 4-40 / Steel	tin plated
4	2	Bracket	F1080-13B / Steel	tin plated
3	xx	Signal contact	P5 / Brass	G2
2	1	Shell	Steel	tin plated
1	1	Insulator	PBT (-55°C to +125°C) acc. UL94V-0	white

MEASUREMENTS WITHOUT TOLERANCE ACC TO ISO 2768-m REPLACEMENT FOR DOCUMENT NUMBER: FxxP5Gy-1004

FUNCTIONAL SYMBOLS	THIS DRAWING CONTAINS INFORMATION THAT IS PROPRIETARY TO MOLEX ELECTRONIC TECHNOLOGIES, LLC AND SHOULD NOT BE USED WITHOUT WRITTEN PERMISSION	CURRENT REV DESC:		<b>molex</b>
$\nabla_A = 0$ $\nabla_E = 0$ $\nabla_{E'} = 0$	DIMENSION UNITS: mm SCALE: 2:1 GENERAL TOLERANCES (UNLESS SPECIFIED) ANGULAR TOL ± ° 4 PLACES ± 3 PLACES ± 2 PLACES ± 1 PLACE ± 0 PLACES ±	EC NO: 714712 DRWN: SKANDB 2022/02/07 CHK'D: MTEUBEL 2022/07/22 APPR: MTEUBEL 2022/07/22	INITIAL REVISION: DRWN: SKANDB 2022/02/07 APPR: MTEUBEL 2022/07/22	
DIVISIONAL SYMBOLS	DRAFT WHERE APPLICABLE MUST REMAIN WITHIN DIMENSIONS	FIRST ANGLE PROJECTION	DRAWING A3-SIZE	PRODUCT CUSTOMER DRAWING
			SERIES 173109	DOCUMENT NUMBER 1731090204
			MATERIAL NUMBER SEE TABLE	DOC TYPE PSD
			CUSTOMER GENERAL MARKET	DOC PART 000
				REVISION A
				SHEET NUMBER 1 OF 1



øE, øF, G, H, J see data sheet incl. connector  
øF, G connectors with accessories only

MEASUREMENTS WITHOUT TOLERANCE ACC TO ISO 2768-m				REPLACEMENT FOR DOCUMENT NUMBER: AM0024			
THIS DRAWING CONTAINS INFORMATION THAT IS PROPRIETARY TO MOLEX ELECTRONIC TECHNOLOGIES, LLC AND SHOULD NOT BE USED WITHOUT WRITTEN PERMISSION							
FUNCTIONAL SYMBOLS	DIMENSION UNITS		SCALE	CURRENT REV DESC:			
$\nabla_A = 0$	mm		2:1	EC NO: 713905 DRWN: SKANDB 2022/05/16 CHK'D: MTEUBEL 2022/07/12 APPR: MTEUBEL 2022/07/12			
$\nabla_F = 0$	GENERAL TOLERANCES (UNLESS SPECIFIED)						
$\nabla_P = 0$	ANGULAR TOL ± °						
DIVISIONAL SYMBOLS	4 PLACES		±	INITIAL REVISION:			
	3 PLACES		±	DRWN: SKANDB 2022/05/16		DOCUMENT NUMBER	
	2 PLACES		±	APPR: MTEUBEL 2022/07/12		2195600024	
	1 PLACE		±			DOC TYPE	DOC PART
	0 PLACES		±			PSD	000
DRAFT WHERE APPLICABLE MUST REMAIN WITHIN DIMENSIONS		FIRST ANGLE PROJECTION		DRAWING	SERIES	MATERIAL NUMBER	CUSTOMER
				A3-SIZE	219560	219560	GENERAL MARKET
						REVISION	SHEET NUMBER
						A	1 OF 1