

MATERIALS

HOUSING:
ALUMINUM 6061, NICKEL PLATE
(500 MICRONS MINIMUM)
PER SAE-AMS-2404

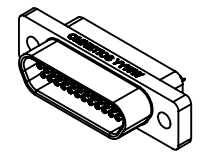
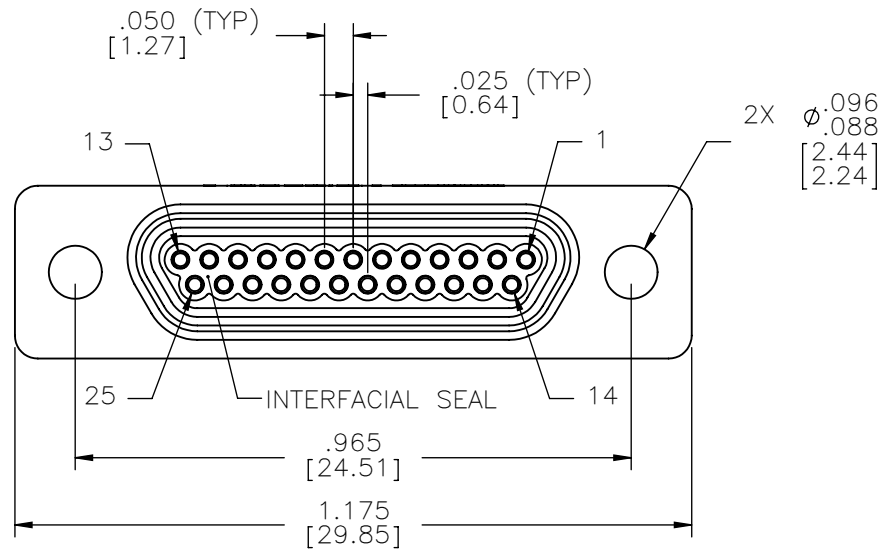
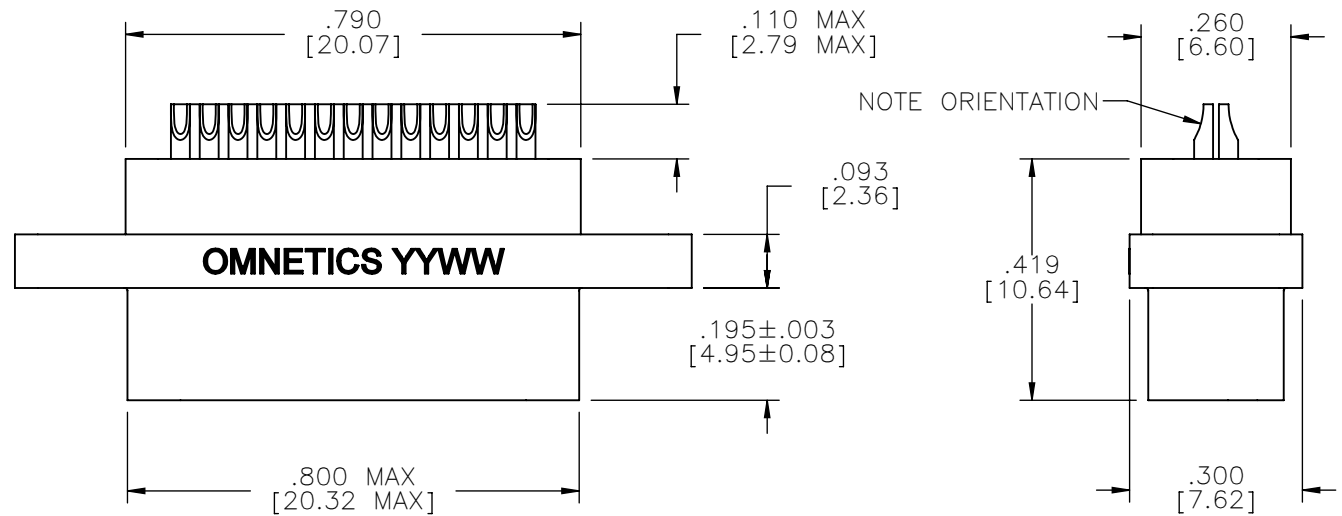
INSULATOR:
LIQUID CRYSTAL POLYMER (LCP)
PER ASTM D5138

CONTACT/SOLDERCUP:
COPPER ALLOY PER MIL-DTL-
83513, GOLD PLATED PER ASTM
B488, (HARD GOLD) TYPE II
CODE C CLASS 1.27

INTERFACIAL SEAL:
SILICONE RUBBER PER A-A-
59588

HARDWARE:
AVAILABLE UPON REQUEST

PART NO.	A99000-025	REV	ECO	DATE	APP
		C	104188	01-29-18	HV



ACTUAL SIZE

RoHS

NOTE:

DIMENSIONS IN [] ARE IN MILLIMETERS UNLESS OTHERWISE NOTED AND ARE FOR REFERENCE ONLY

MCTS S/DWG	THIRD ANGLE
	-TOLERANCES-
	UNLESS OTHERWISE NOTED
	DIMENSIONS IN INCHES
2	PL DEC ± .01
3	PL DEC ± .005
4	PL DEC ± .0005
	ANGLES ± 1°

THIS DRAWING CONTAINS CONFIDENTIAL AND PROPRIETARY INFORMATION WHICH IS THE PROPERTY OF OMNETICS CONNECTOR CORP. THIS DOCUMENT MAY NOT, IN WHOLE OR IN PART, BE DUPLICATED, OR DISCLOSED FOR ANY PURPOSE, WITHOUT WRITTEN PERMISSION FROM OMNETICS CONNECTOR CORP.

DFTM.	NJS	DATE	11-23-09
CHK'D.		DATE	
APP'D.		DATE	

TITLE:
**(25) SOCKET FEMALE
MICRO-D CONNECTOR**

OMNETICS
CONNECTOR CORPORATION
7260 COMMERCE CIRCLE EAST
MINNEAPOLIS, MN 55432
WWW.OMNETICS.COM

CAGE CODE	61873
DWG NO.	A99000-025
SHEET 1 OF 1	REV C
SCALE:	3:1