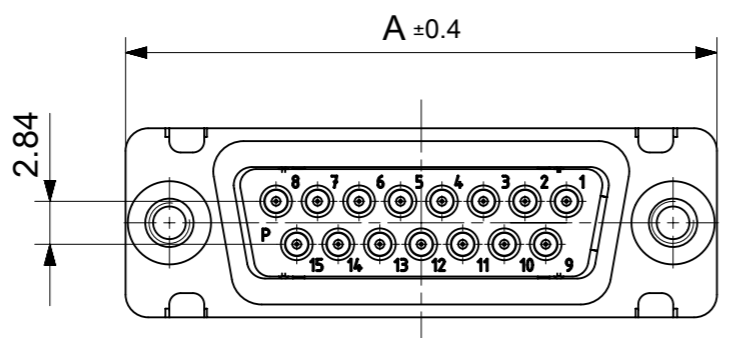
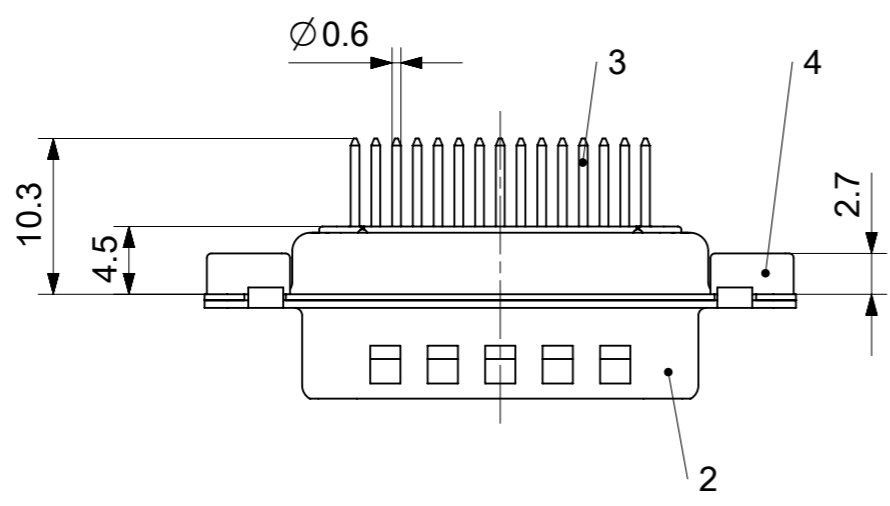
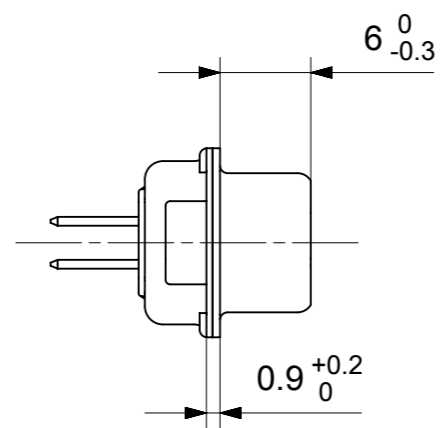
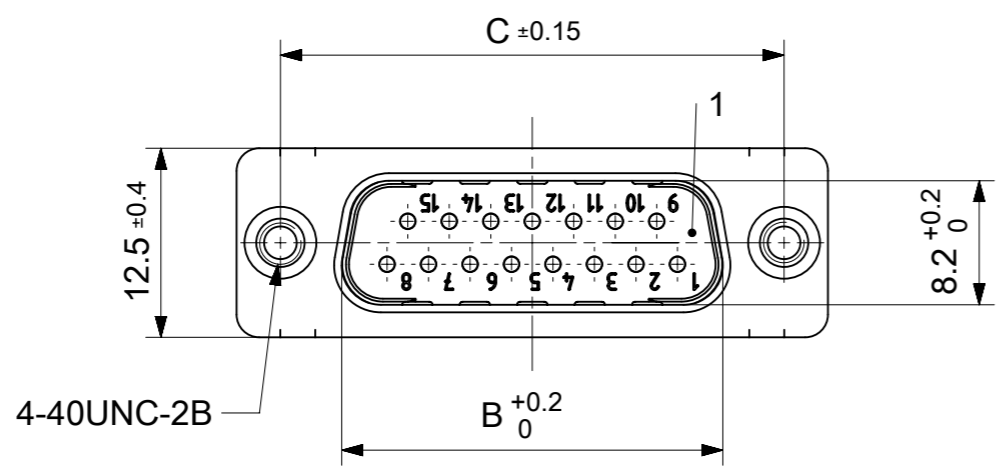


RoHS compliant
by exemption



FCT Part number:

FTxx*1)P1y*2)

e.g. FT15P1G1

*1) xx No. of contacts 09, 15, 25 or 37

*2) y for performance classes 1, 2 or 3

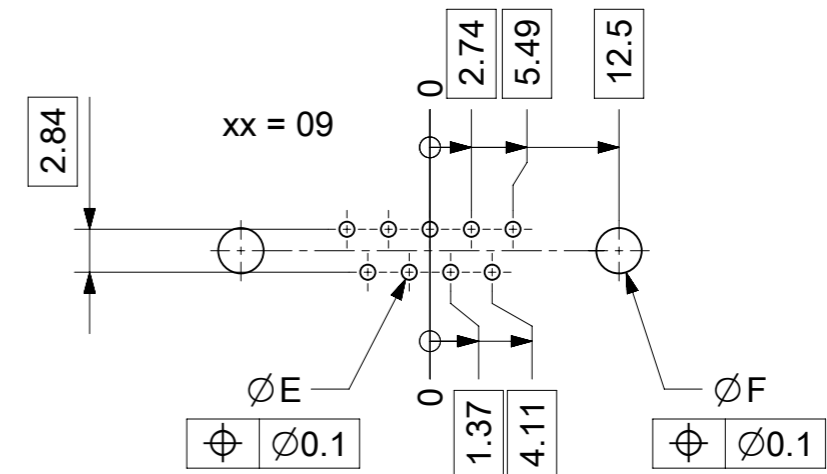
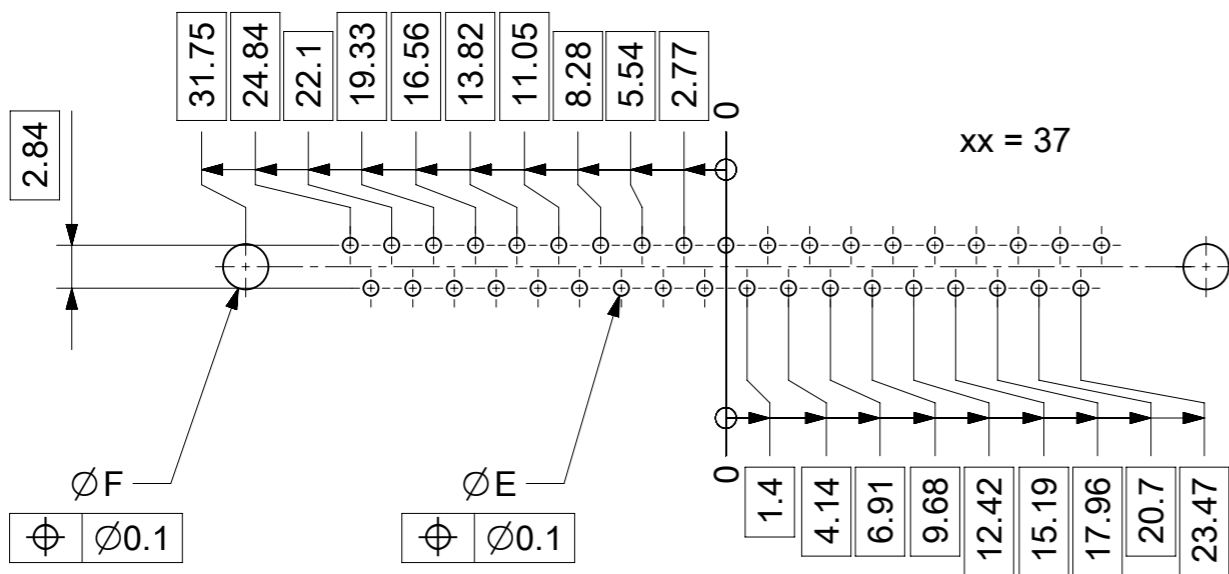
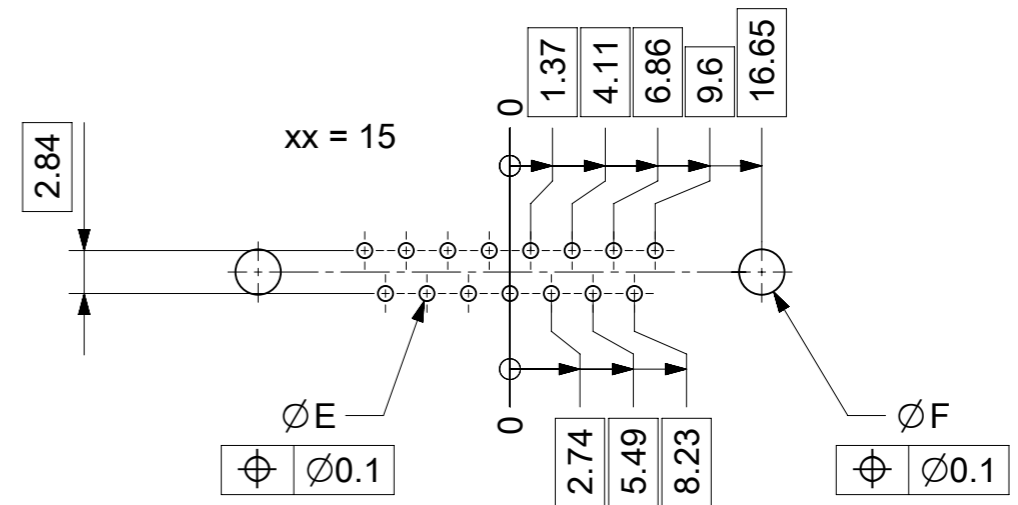
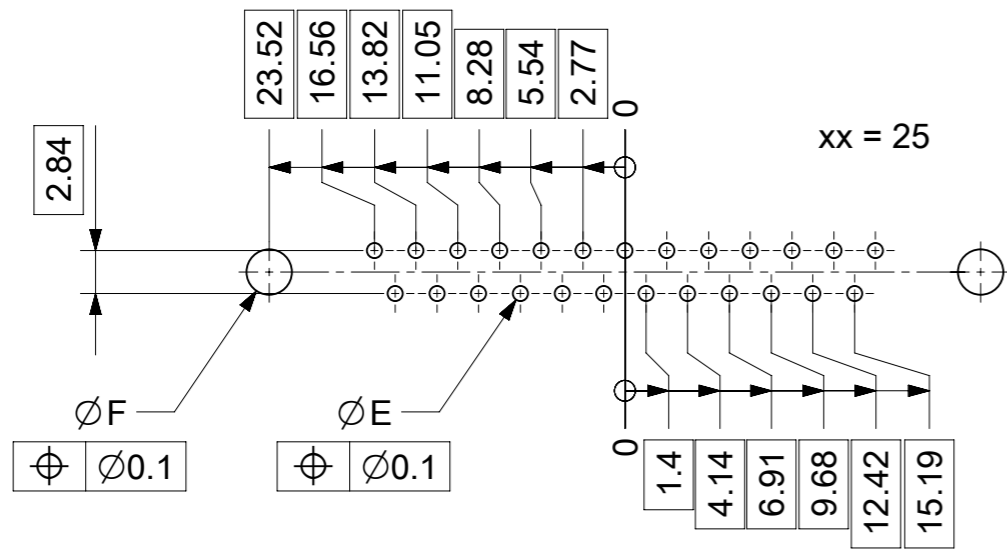
(contact cycle for G1/G2/G3 = 500/200/50)

Material Number	xx*1)	y*2)	A[mm]	B[mm]	C[mm]	*E[mm]
1731090609	09	G1	30.8	16.9	25	Ø1
1731090972		G2				
1731090979	15	G3	39.1	25.2	33.3	
-	25	-	53	38.9	47.04	
1731091028	37	G1	69.3	55.3	63.5	

*PCB hole patterns ØE see document 2195600023

No.	St.	Part	Type Description/Material	Surface plating/Color/Class
4	2	Clinch nut	FT 4-40 / Steel	tin plated
3	xx	Signal contact	P1 / Brass	G1 / G2 / G3
2	1	Shell	Steel	tin plated
1	1	Insulator	PBT (-55°C to +125°C) acc. UL94V-0	white

MEASUREMENTS WITHOUT TOLERANCE ACC TO ISO 2768-m			REPLACEMENT FOR DOCUMENT NUMBER: FTxxP1Gy																															
FUNCTIONAL SYMBOLS																																		
THIS DRAWING CONTAINS INFORMATION THAT IS PROPRIETARY TO MOLEX ELECTRONIC TECHNOLOGIES, LLC AND SHOULD NOT BE USED WITHOUT WRITTEN PERMISSION	CURRENT REV DESC:		<p>FCT D-SUB MINIATURE CONNECTOR</p> <p>PRODUCT CUSTOMER DRAWING</p>																															
<table border="1"> <tr> <th>DIMENSION UNITS</th> <th>SCALE</th> </tr> <tr> <td>mm</td> <td>2:1</td> </tr> </table>	DIMENSION UNITS	SCALE				mm	2:1	<table border="1"> <tr> <td>GENERAL TOLERANCES (UNLESS SPECIFIED)</td> <td>±</td> <td>*</td> </tr> <tr> <td>ANGULAR TOL</td> <td>±</td> <td>*</td> </tr> </table>		GENERAL TOLERANCES (UNLESS SPECIFIED)	±	*	ANGULAR TOL	±	*																			
DIMENSION UNITS	SCALE																																	
mm	2:1																																	
GENERAL TOLERANCES (UNLESS SPECIFIED)	±	*																																
ANGULAR TOL	±	*																																
<table border="1"> <tr> <td>4 PLACES</td> <td>±</td> <td></td> </tr> <tr> <td>3 PLACES</td> <td>±</td> <td></td> </tr> <tr> <td>2 PLACES</td> <td>±</td> <td></td> </tr> <tr> <td>1 PLACE</td> <td>±</td> <td></td> </tr> <tr> <td>0 PLACES</td> <td>±</td> <td></td> </tr> </table>		4 PLACES	±		3 PLACES	±		2 PLACES	±		1 PLACE	±		0 PLACES	±		<table border="1"> <tr> <td>EC NO:</td> <td>706086</td> <td>DATE:</td> <td>2021/11/25</td> </tr> <tr> <td>DRWN:</td> <td>SKANDB</td> <td>DATE:</td> <td>2022/05/11</td> </tr> <tr> <td>CHK'D:</td> <td>MTEUBEL</td> <td>DATE:</td> <td>2022/05/11</td> </tr> <tr> <td>APPR:</td> <td>MTEUBEL</td> <td>DATE:</td> <td>2022/05/11</td> </tr> </table>		EC NO:	706086	DATE:	2021/11/25	DRWN:	SKANDB	DATE:	2022/05/11	CHK'D:	MTEUBEL	DATE:	2022/05/11	APPR:	MTEUBEL	DATE:	2022/05/11
4 PLACES	±																																	
3 PLACES	±																																	
2 PLACES	±																																	
1 PLACE	±																																	
0 PLACES	±																																	
EC NO:	706086	DATE:	2021/11/25																															
DRWN:	SKANDB	DATE:	2022/05/11																															
CHK'D:	MTEUBEL	DATE:	2022/05/11																															
APPR:	MTEUBEL	DATE:	2022/05/11																															
<table border="1"> <tr> <td>INITIAL REVISION:</td> <td></td> </tr> <tr> <td>DRWN:</td> <td>SKANDB</td> </tr> <tr> <td>APPR:</td> <td>MTEUBEL</td> </tr> </table>		INITIAL REVISION:		DRWN:	SKANDB	APPR:	MTEUBEL	<table border="1"> <tr> <td>DOCUMENT NUMBER</td> <td>1731090609</td> <td>DOC TYPE</td> <td>PSD</td> <td>DOC PART</td> <td>000</td> <td>REVISION</td> <td>A</td> </tr> </table>		DOCUMENT NUMBER	1731090609	DOC TYPE	PSD	DOC PART	000	REVISION	A																	
INITIAL REVISION:																																		
DRWN:	SKANDB																																	
APPR:	MTEUBEL																																	
DOCUMENT NUMBER	1731090609	DOC TYPE	PSD	DOC PART	000	REVISION	A																											
<table border="1"> <tr> <td>DRAFT WHERE APPLICABLE MUST REMAIN WITHIN DIMENSIONS</td> <td>FIRST ANGLE PROJECTION</td> <td>DRAWING</td> <td>A3-SIZE</td> <td>SERIES</td> <td>173109</td> <td>MATERIAL NUMBER</td> <td>SEE TABLE</td> <td>CUSTOMER</td> <td>GENERAL MARKET</td> <td>SHEET NUMBER</td> <td>1 OF 1</td> </tr> </table>		DRAFT WHERE APPLICABLE MUST REMAIN WITHIN DIMENSIONS	FIRST ANGLE PROJECTION	DRAWING	A3-SIZE	SERIES	173109	MATERIAL NUMBER	SEE TABLE	CUSTOMER	GENERAL MARKET	SHEET NUMBER	1 OF 1																					
DRAFT WHERE APPLICABLE MUST REMAIN WITHIN DIMENSIONS	FIRST ANGLE PROJECTION	DRAWING	A3-SIZE	SERIES	173109	MATERIAL NUMBER	SEE TABLE	CUSTOMER	GENERAL MARKET	SHEET NUMBER	1 OF 1																							



ØE, ØF see data sheet incl. connector
 ØF connectors with accessories only

MEASUREMENTS WITHOUT TOLERANCE ACC TO ISO 2768-m			REPLACEMENT FOR DOCUMENT NUMBER: AM0023			
THIS DRAWING CONTAINS INFORMATION THAT IS PROPRIETARY TO MOLEX ELECTRONIC TECHNOLOGIES, LLC AND SHOULD NOT BE USED WITHOUT WRITTEN PERMISSION						
FUNCTIONAL SYMBOLS	DIMENSION UNITS	SCALE	CURRENT REV DESC:			
$\nabla_A = 0$	mm	2:1	EC NO: 713905			
$\nabla_E = 0$	GENERAL TOLERANCES (UNLESS SPECIFIED)		DRWN: SKANDB 2022/05/16			
$\nabla_P = 0$	ANGULAR TOL ± °		CHK'D: MTEUBEL 2022/07/12			
DIVISIONAL SYMBOLS	4 PLACES ±		APPR: MTEUBEL 2022/07/12			
	3 PLACES ±		INITIAL REVISION:			
	2 PLACES ±		DRWN: SKANDB 2022/05/16			
	1 PLACE ±		APPR: MTEUBEL 2022/07/12			
	0 PLACES ±		DOCUMENT NUMBER			
DRAFT WHERE APPLICABLE MUST REMAIN WITHIN DIMENSIONS		FIRST ANGLE PROJECTION	DRAWING	SERIES	MATERIAL NUMBER	CUSTOMER
			A3-SIZE	219560	219560	GENERAL MARKET
			PRODUCT CUSTOMER DRAWING		DOC TYPE	DOC PART
			2195600023		PSD	000
			SHEET NUMBER		REVISION	
			1 OF 1		A	