



LOW SKEW CLOCK DRIVER/ BUFFER FOR MOBILE PC WITH THREE DIMMS

QS5813

FEATURES:

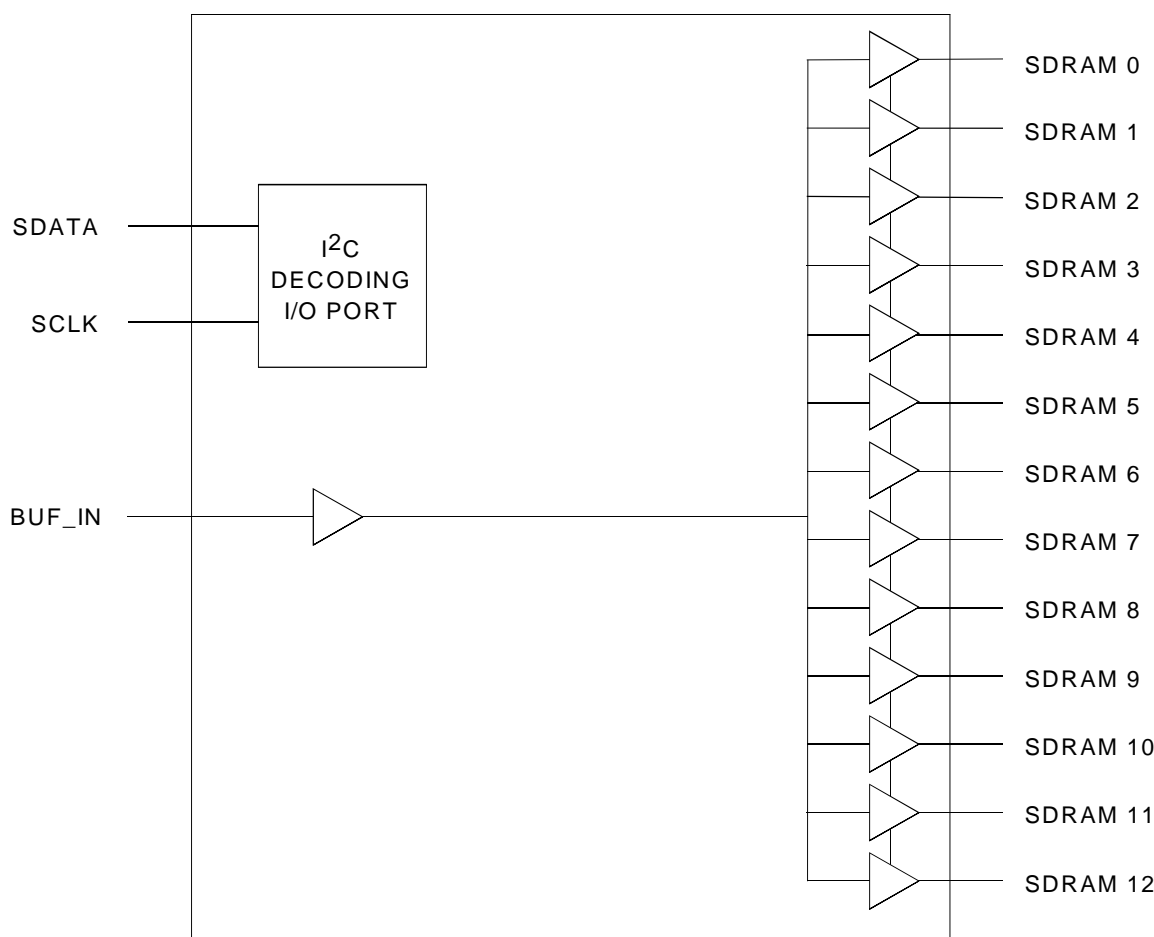
- 1 to 13 output buffer/driver
- I²C programming capability
- Power Supply Voltage 3.3V ±5%
- Low Skew Outputs (<200ps)
- Multiple V_{DD} and GND for noise reduction
- 28 Pin SSOP package

DESCRIPTION

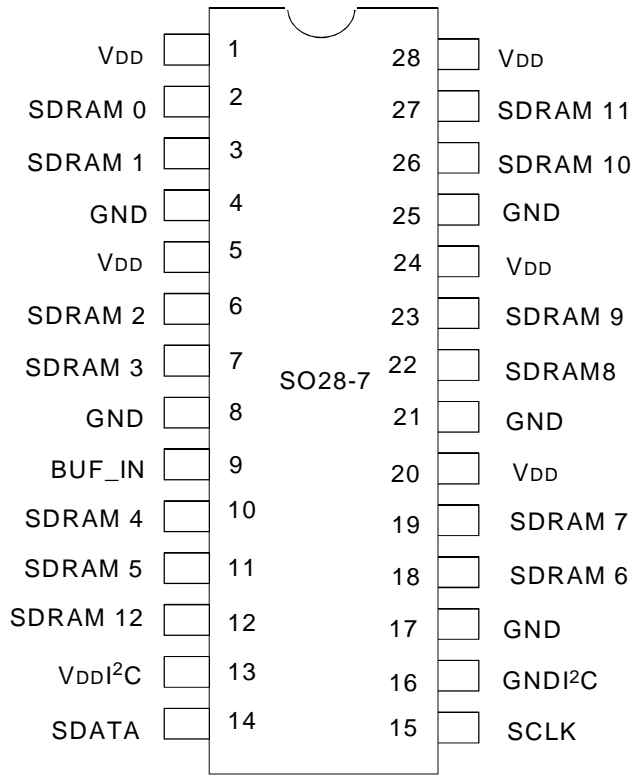
The QS5813 is a high speed, low noise 1-13 non-inverting buffer designed for SDRAM clock buffer applications. Out of the 13 outputs, 12 could be used to drive up to three SDRAM DIMMS, and the remaining output is used for external feedback to a PLL stage for synchronization to master clock.

The QS5813 also includes an I²C interface, which can enable or disable each output clock when the lines are not used. By turning the outputs on and off, I²C will aid in reducing the Electro Magnetic Interference (EMI).

FUNCTIONAL BLOCK DIAGRAM



PIN CONFIGURATION



SSOP
TOP VIEW

ABSOLUTE MAXIMUM RATINGS (1)

Symbol	Description	Max.	Unit
	Supply Voltage to Ground	- 0.5 to + 4.6	V
	DC Output Voltage V _{OUT}	- 0.5 to + 4.6	V
	DC Output Voltage V _{IN}	- 0.5 to + 4.6	V
	DC Input Diode Current with V _I < 0	- 20	mA
	Maximum Power Dissipation at T _A = 85°C	600	mW
	TSTG Storage Temperature	-65 to 150	°C

NOTE:

1. Stresses greater than those listed under ABSOLUTE MAXIMUM RATINGS may cause permanent damage to the device. This is a stress rating only and functional operation of the device at these or any other conditions above those indicated in the operational sections of this specification is not implied. Exposure to absolute maximum rating conditions for extended periods may affect reliability.

PIN DESCRIPTION

Pin Name	Description
SDRAM (0:5)	SDRAM Byte 0 Clock Outputs.
SDRAM (6:11)	SDRAM Byte 1 Clock Outputs.
SDRAM (12)	SDRAM Byte 2 Clock Outputs.
BUF_IN	Input for Buffers.
SDATA	I ² C Data Input. It has 100kΩ internal pull up to V _{DD} .
SCLK	I ² C Data Input. It has 100kΩ internal pull up to V _{DD} .
V _{DD}	3.3V power supply for output buffers.
GND	Ground for output buffers.
GNDI ² C	Ground for I ² C circuitry.
V _{DD} I ² C	3.3V Power Supply for I ² C circuitry.

DC ELECTRICAL CHARACTERISTICS OVER OPERATING RANGE

Following Conditions Apply Unless Otherwise Specified:

Operating Condition: $T_A = -40^{\circ}\text{C}$ to $+85^{\circ}\text{C}$

Symbol	Parameter	Test Conditions	Min.	Typ. ⁽¹⁾	Max.	Unit
V_{IH}	Input HIGH Voltage Level	For all Inputs	2	—	—	V
V_{IL}	Input LOW Voltage Level	For all inputs except I ² C inputs	—	—	0.8	V
I_{IH}	Input High Current	$V_{IN} = V_{DD}$	-5	—	5	μA
I_{IL}	Input Low Current	$V_{IN} = 0\text{V}$	-5	—	5	μA
		$V_{IN} = 0\text{V}$; Inputs with 100k pull up	-100	—	—	
I_{DD}	Supply Current	$C_L = 0\text{pF}$; $f_{IN}@66.66\text{MHz}^{(1)}$	—	50	70	mA
		$C_L = 30\text{pF}$; $f_{IN}@66.66\text{MHz}^{(1)}$	—	130	150	
		$C_L = 0\text{pF}$; $f_{IN}@100\text{MHz}^{(1)}$	—	75	105	
		$C_L = 30\text{pF}$; $f_{IN}@100\text{MHz}^{(1)}$	—	195	225	
		BUF_IN = GND or V _{DD} , all other inputs to V _{DD}	—	—	500	μA
V_{OH}	Output High Voltage	$I_{OH} = -36\text{mA}$	2.4	—	—	V
V_{OL}	Output Low Voltage	$I_{OL} = 25\text{mA}$	—	—	0.4	V
$V_{OL}^{I^2C}$	Output Low Voltage	SDATA IOL ^{I²C} = 3mA	—	—	0.4	V

NOTE:

1. Typical values are at $V_{CC} = 3.3\text{V}$, $+25^{\circ}\text{C}$ ambient.

AC ELECTRICAL CHARACTERISTICS OVER OPERATING RANGE

Symbol	Parameter	Test Conditions	Min.	Typ.	Max.	Unit
t_R	Rise Time	0.4V to 2.4V; $C_L = 30\text{pF}$	—	—	2.2	ns
t_F	Fall Time	2.4V to 0.4V; $C_L = 30\text{pF}$	—	—	2.2	ns
DT	Duty Cycle	$V_T = 1.5\text{V}$; $C_L = 30\text{pF}$	45	50	55	%
t_{SK}	Skew (output-output)	$V_T = 1.5\text{V}$; $C_L = 30\text{pF}$ for all outputs	—	—	200	ps
t_{PHL}	Propagation Delay	$V_T = 1.5\text{V}$	—	—	6	ns
t_{PLH}						

OPERATING CHARACTERISTICS , $T_A = 25^{\circ}\text{C}$

Symbol	Parameter	Min.	Typ.	Max.	Unit
V_{DD}	Power Supply Voltage	3.135	3.3	3.465	V
T_A	Operating Temperature	-40	25	85	$^{\circ}\text{C}$
C_L	Load Capacitance	—	—	30	pF
C_{IN}	Input Capacitance	—	—	15	pF

I²C SERIAL INTERFACE CONTROL

The I²C interface permits individual enable/disable of each clock output: any unused outputs may be disabled to reduce the EMI. The QS5813 is a slave receiver device. It can read back the data stored in the latches for verification.

The data transfer rate supported by the I²C interface is 100k bits/sec. Data is transferred in bytes (with the addition of start, stop, acknowledge bits) in sequential order from the lowest to highest byte with the ability to stop after any complete byte has been transferred. The first two bytes transferred must be a Command Code followed by a Byte Count. Both of these bytes are ignored by the device.

The I²C address of the QS5813 is:

A7	A6	A5	A4	A3	A2	A1
1	1	0	1	0	0	1

Address A0 is the read/write bit and is set to 0 for writes and 1 for reads. During read back, the first byte read is a Byte Count representing the number of bytes following (fixed at 3).

SERIAL CONFIGURATION COMMAND BITMAPS

Byte 0: SDRAM Active/Inactive Register
 (1 = Enable, 0 = Disable, outputs held LOW), Default = Enable

Bit	Pin #	Description
Bit 7	11	SDRAM 5 (Active/Inactive)
Bit 6	10	SDRAM 4 (Active/Inactive)
Bit 5	—	Initialize to 0
Bit 4	—	Initialize to 0
Bit 3	7	SDRAM 3 (Active/Inactive)
Bit 2	6	SDRAM 2 (Active/Inactive)
Bit 1	3	SDRAM 1 (Active/Inactive)
Bit 0	2	SDRAM 0 (Active/Inactive)

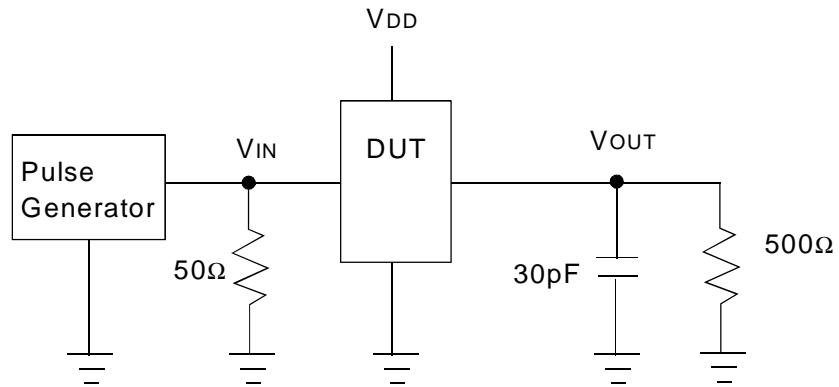
Byte 1: SDRAM Active/Inactive Register
 (1 = Enable, 0 = Disable, outputs held LOW), Default = Enable

Bit	Pin #	Description
Bit 7	27	SDRAM 11 (Active/Inactive)
Bit 6	26	SDRAM 10 (Active/Inactive)
Bit 5	23	SDRAM 9 (Active/Inactive)
Bit 4	22	SDRAM 8 (Active/Inactive)
Bit 3	—	Initialize to 0
Bit 2	—	Initialize to 0
Bit 1	19	SDRAM 7 (Active/Inactive)
Bit 0	18	SDRAM 6 (Active/Inactive)

Byte 2: SDRAM Active/Inactive Register
 (1 = Enable, 0 = Disable, outputs held LOW), Default = Enable

Bit	Pin #	Description
Bit 7	—	Initialize to 0
Bit 6	12	SDRAM 12 (Active/Inactive)
Bit 5	—	Reserved, 1 at power up, set to 0
Bit 4	—	Reserved, 1 at power up, set to 0
Bit 3	—	Reserved, 1 at power up, set to 0
Bit 2	—	Reserved, 1 at power up, set to 0
Bit 1	—	Reserved, 1 at power up, set to 0
Bit 0	—	Reserved, 1 at power up, set to 0

TEST CIRCUIT



AC TIMING DIAGRAM

PROPAGATION DELAY

