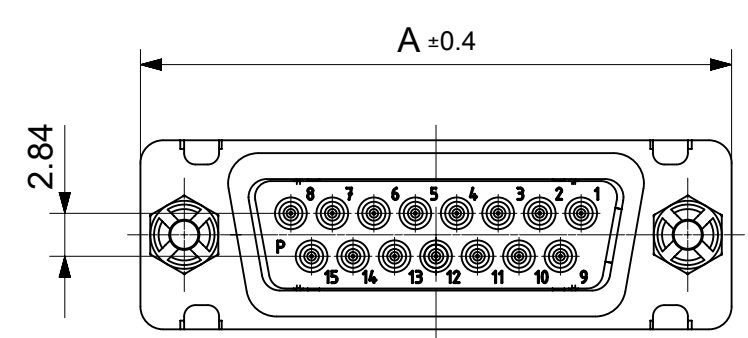
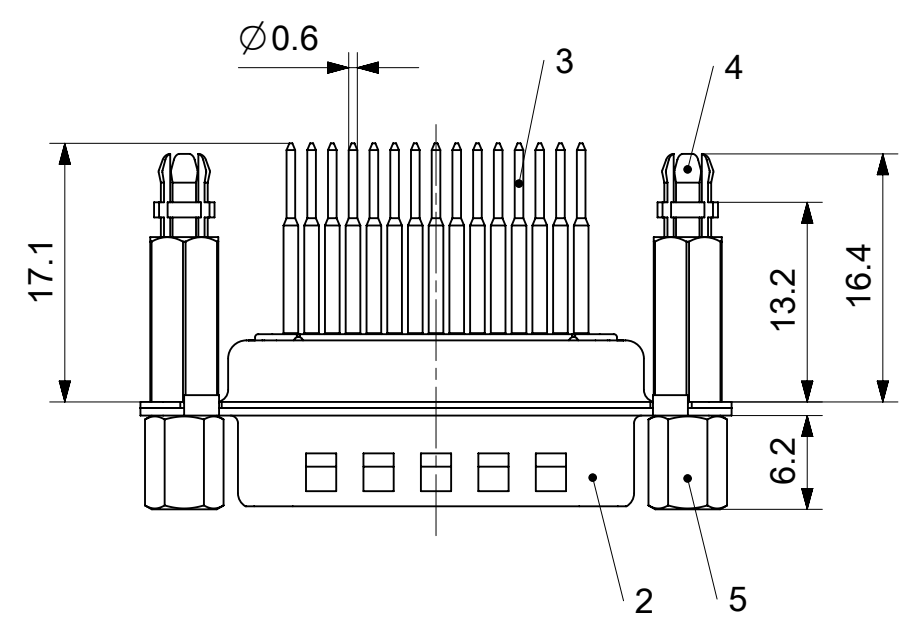
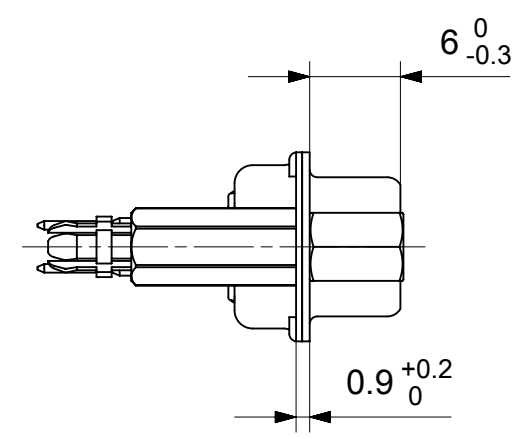
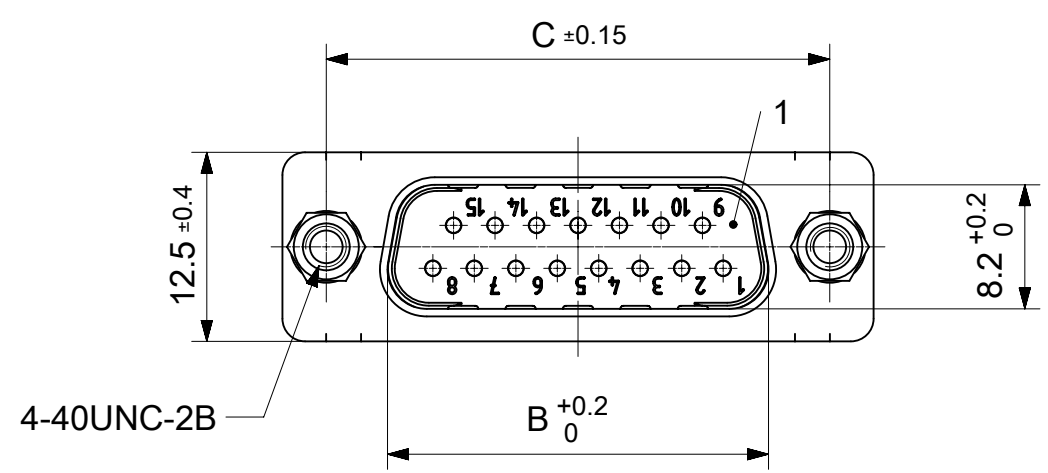


RoHS compliant
by exemption



FCT Part number:

FHxx*1)P80G1-5628

e.g. FH15P80G1-5628

*1) xx No. of contacts 09, 15, 25 or 37

*2) y for performance classes 1, 2 or 3

(contact cycle for G1/G2/G3 = 500/200/50)

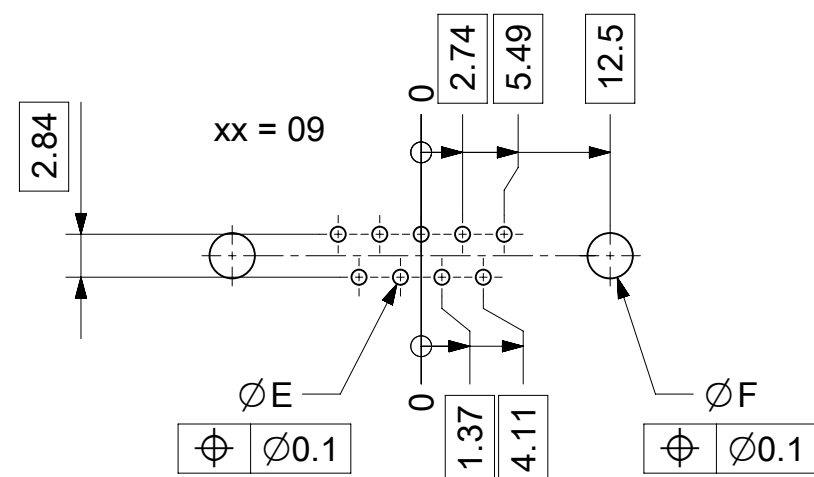
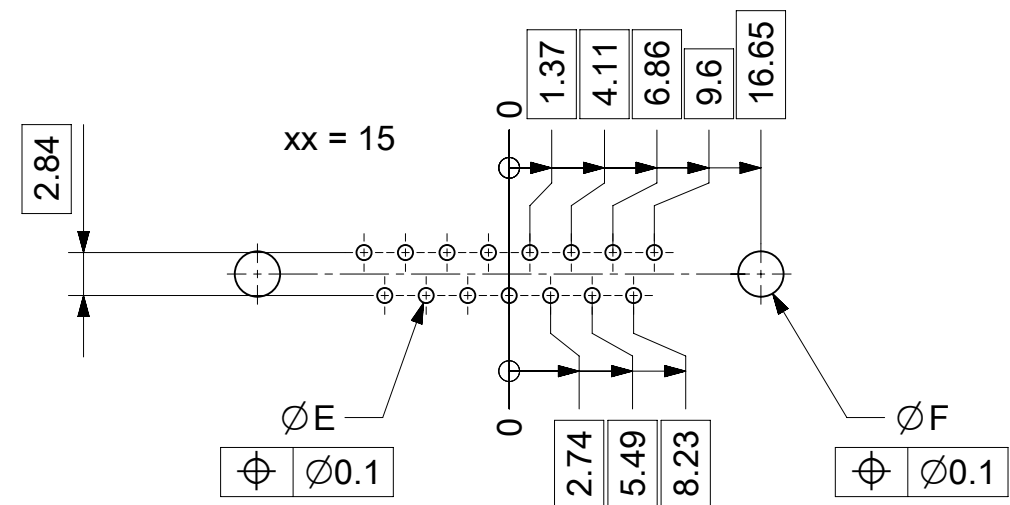
Material Number	xx*1)	y*2)	A[mm]	B[mm]	C[mm]	*E[mm]	*F[mm]
1731091652	09	G1	30.8	16.9	25	Ø1	Ø3
-	15	-	39.1	25.2	33.3		
-	25	-	53	38.9	47.04		
-	37	-	69.3	55.3	63.5		

*PCB hole patterns ØE, ØF see document 2195600023

5	2	Female screw lock	F-GSCH1/5-K423 / Steel	tin plated
4	2	Snap-in bolt	PCB 1.6mm / Brass	tin plated
3	xx	Signal contact	P80 / Brass	G1
2	1	Shell	Steel	tin plated
1	1	Insulator	PBT (-55°C to +150°C)	natural
No.	Pc.	Part	Type Description/Material	Surface plating/Color/Class

MEASUREMENTS WITHOUT TOLERANCE ACC TO ISO 2768-m REPLACEMENT FOR DOCUMENT NUMBER: FHxxP80Gy-5628

FUNCTIONAL SYMBOLS	THIS DRAWING CONTAINS INFORMATION THAT IS PROPRIETARY TO MOLEX ELECTRONIC TECHNOLOGIES, LLC AND SHOULD NOT BE USED WITHOUT WRITTEN PERMISSION	CURRENT REV DESC:		molex				
	<table border="1"> <tr> <th>DIMENSION UNITS</th> <th>SCALE</th> </tr> <tr> <td>mm</td> <td>2:1</td> </tr> </table>	DIMENSION UNITS	SCALE		mm	2:1	EC NO: 712793	
	DIMENSION UNITS	SCALE						
	mm	2:1						
GENERAL TOLERANCES (UNLESS SPECIFIED)	DRWN: SUGEEB 2021/12/15							
ANGULAR TOL ± °	CHK'D: MTEUBEL 2022/07/04							
DIVISIONAL SYMBOLS	4 PLACES ±	APPR: MTEUBEL 2022/07/04		FCT D-SUB MINIATURE CONNECTOR				
	3 PLACES ±	INITIAL REVISION:						
	2 PLACES ±	DRWN: SUGEEB 2021/12/15						
	1 PLACE ±	APPR: MTEUBEL 2022/07/04						
0 PLACES ±	DRAFT WHERE APPLICABLE MUST REMAIN WITHIN DIMENSIONS		DOCUMENT NUMBER					
FIRST ANGLE PROJECTION		DRAWING	SERIES	MATERIAL NUMBER	CUSTOMER			
		A3-SIZE	173109	1731091652	GENERAL MARKET			
				DOC TYPE	DOC PART	REVISION		
				PSD	000	A		
				SHEET NUMBER				
				1 OF 1				



ØE, ØF see data sheet incl. connector
 ØF connectors with accessories only

MEASUREMENTS WITHOUT TOLERANCE ACC TO ISO 2768-m			REPLACEMENT FOR DOCUMENT NUMBER: AM0023						
THIS DRAWING CONTAINS INFORMATION THAT IS PROPRIETARY TO MOLEX ELECTRONIC TECHNOLOGIES, LLC AND SHOULD NOT BE USED WITHOUT WRITTEN PERMISSION									
FUNCTIONAL SYMBOLS	DIMENSION UNITS	SCALE	CURRENT REV DESC:						
$\nabla_A = 0$	mm	2:1	EC NO: 713905						
$\nabla_E = 0$	GENERAL TOLERANCES (UNLESS SPECIFIED)		DRWN: SKANDB 2022/05/16						
$\nabla_P = 0$	ANGULAR TOL ± °		CHK'D: MTEUBEL 2022/07/12						
DIVISIONAL SYMBOLS	4 PLACES	±	APPR: MTEUBEL 2022/07/12						
	3 PLACES	±	INITIAL REVISION:						
	2 PLACES	±	DRWN: SKANDB 2022/05/16						
	1 PLACE	±	APPR: MTEUBEL 2022/07/12						
	0 PLACES	±	DOCUMENT NUMBER						
DRAFT WHERE APPLICABLE MUST REMAIN WITHIN DIMENSIONS		FIRST ANGLE PROJECTION	DRAWING	SERIES	MATERIAL NUMBER	CUSTOMER	DOC TYPE	DOC PART	REVISION
			A3-SIZE	219560	219560	GENERAL MARKET	PSD	000	A
			PRODUCT CUSTOMER DRAWING						
			2195600023						
			1 OF 1						