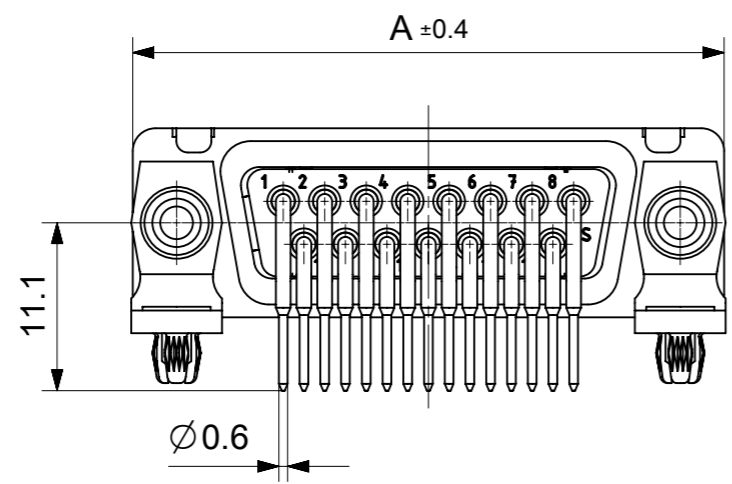
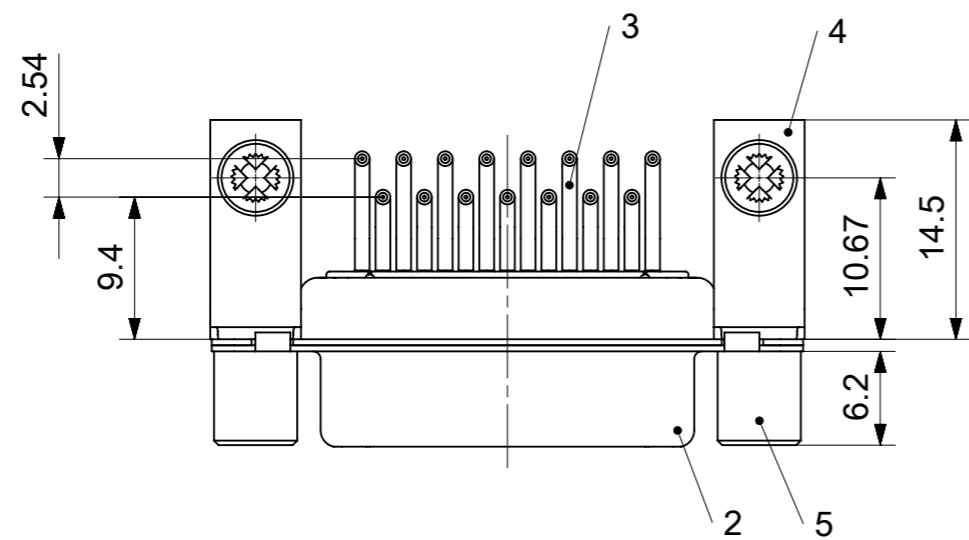
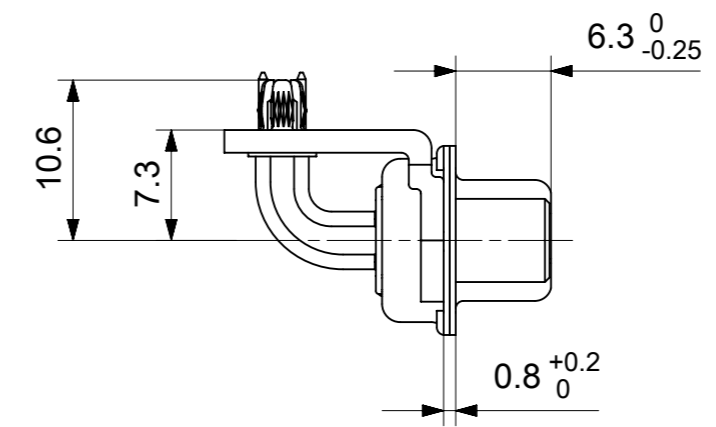
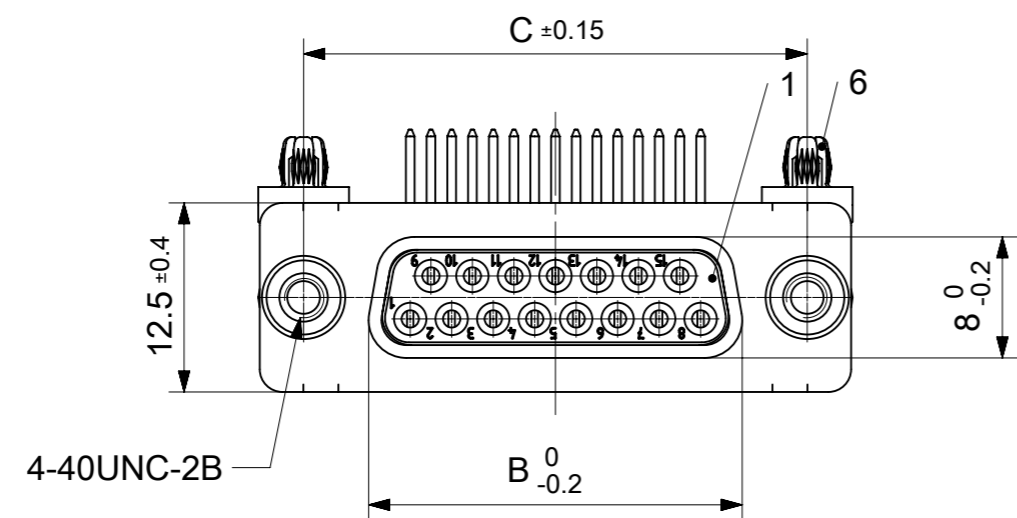


RoHS compliant  
by exemption



FCT Part number:

Fxx\*1)S5G2-1004

e.g. F15S5G2-1004

\*1) xx No. of contacts 09, 15, 25 or 37

\*2) y for performance classes 1, 2 or 3

(contact cycle for G1/G2/G3 = 500/200/50)

Material Number	xx*1)	y*2)	A [mm]	B [mm]	C [mm]	*E [mm]	*F [mm]	*G [mm]	*H [mm]	*J [mm]
1731090209	09	G2	30.8	16.4	25	Ø1	Ø3	10.67	9.4	2.54
1731090210	15	G2	39.1	24.7	33.3					
1731090211	25	G2	53	38.5	47.04					
1731090212	37	G2	69.3	54.9	63.5					

\*PCB hole patterns ØE, ØF, G, H, J see document 2195600024

No.	Pc.	Part	Type Description/Material	Surface plating/Color/Class
6	2	Snap-in rivet	PCB 1.6mm / Brass	tin plated
5	2	Threaded spacer	MW 4-40 / Steel	tin plated
4	2	Bracket	F1080-13B / Steel	tin plated
3	xx	Signal contact	S5 / Brass	G2
2	1	Shell	Steel	tin plated
1	1	Insulator	PBT (-55°C to +125°C) acc. UL94V-0	white

MEASUREMENTS WITHOUT TOLERANCE ACC TO ISO 2768-m

REPLACEMENT FOR DOCUMENT NUMBER: FxxS5Gy-1004

FUNCTIONAL SYMBOLS: THIS DRAWING CONTAINS INFORMATION THAT IS PROPRIETARY TO MOLEX ELECTRONIC TECHNOLOGIES, LLC AND SHOULD NOT BE USED WITHOUT WRITTEN PERMISSION

FUNCTIONAL DIMENSION UNITS: mm, SCALE: 2:1

GENERAL TOLERANCES (UNLESS SPECIFIED):

ANGULAR TOL ± °

4 PLACES ±

3 PLACES ±

2 PLACES ±

1 PLACE ±

0 PLACES ±

DIVISIONAL SYMBOLS:

EC NO: 714756

DRWN: SUGEEB 2022/02/15

CHK'D: MTEUBEL 2022/07/22

APPR: MTEUBEL 2022/07/22

INITIAL REVISION:

DRWN: SUGEEB 2022/02/15

APPR: MTEUBEL 2022/07/22

DOCUMENT NUMBER: 1731090209

DOC TYPE: PSD

DOC PART: 000

REVISION: A

DRAFT WHERE APPLICABLE MUST REMAIN WITHIN DIMENSIONS

FIRST ANGLE PROJECTION

DRAWING: A3-SIZE

SERIES: 173109

MATERIAL NUMBER: SEE TABLE

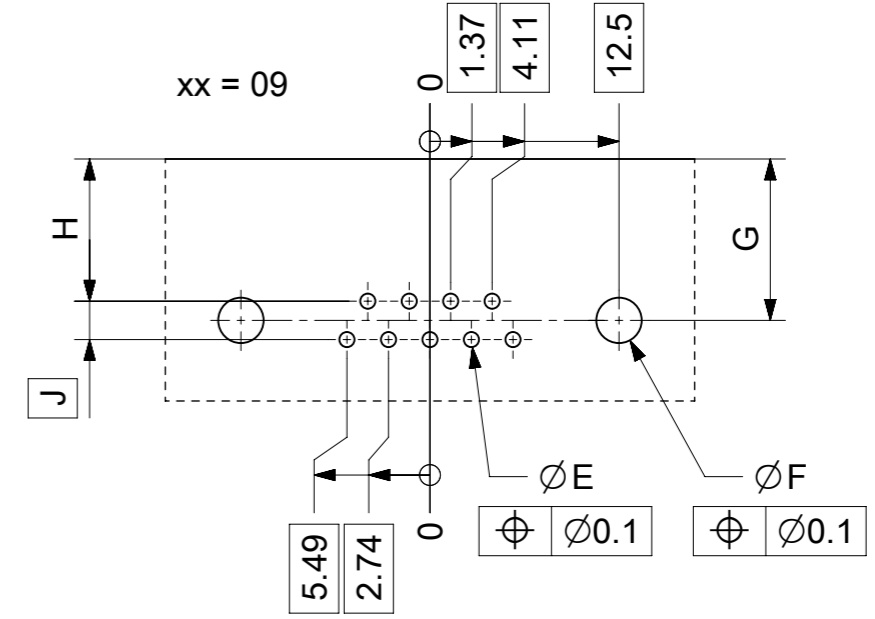
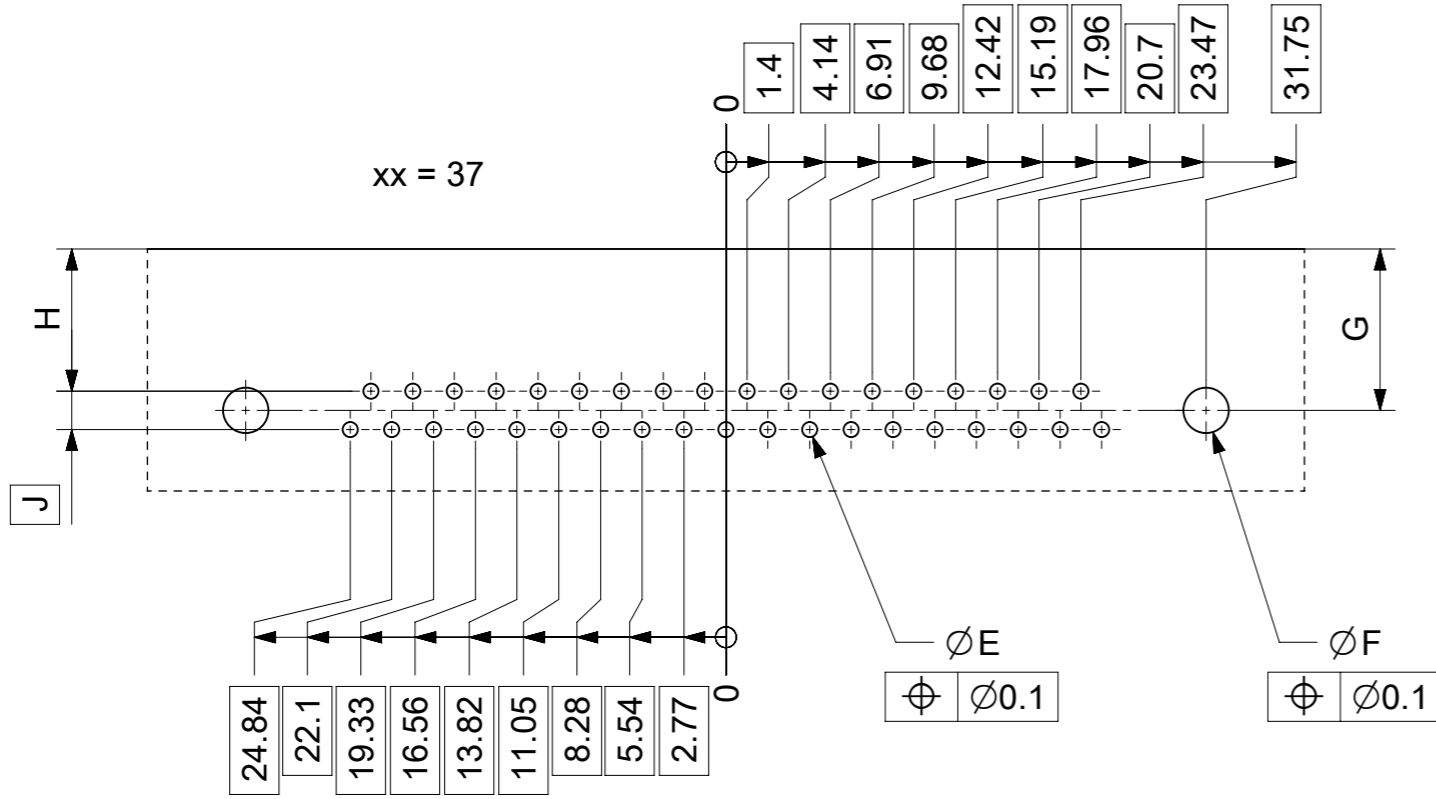
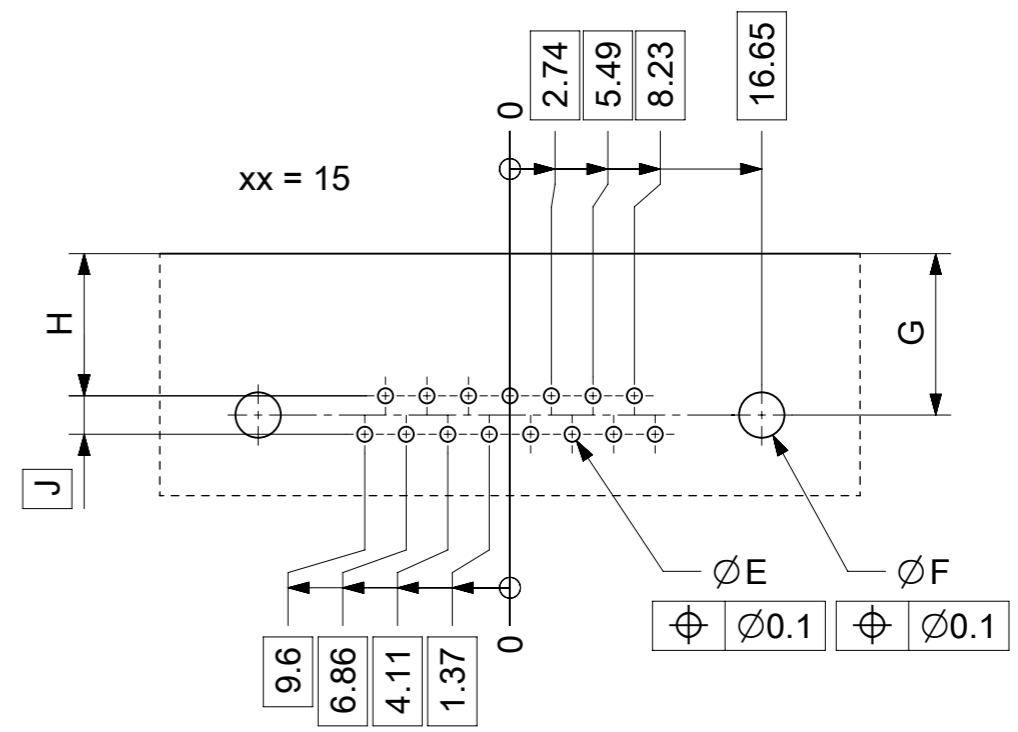
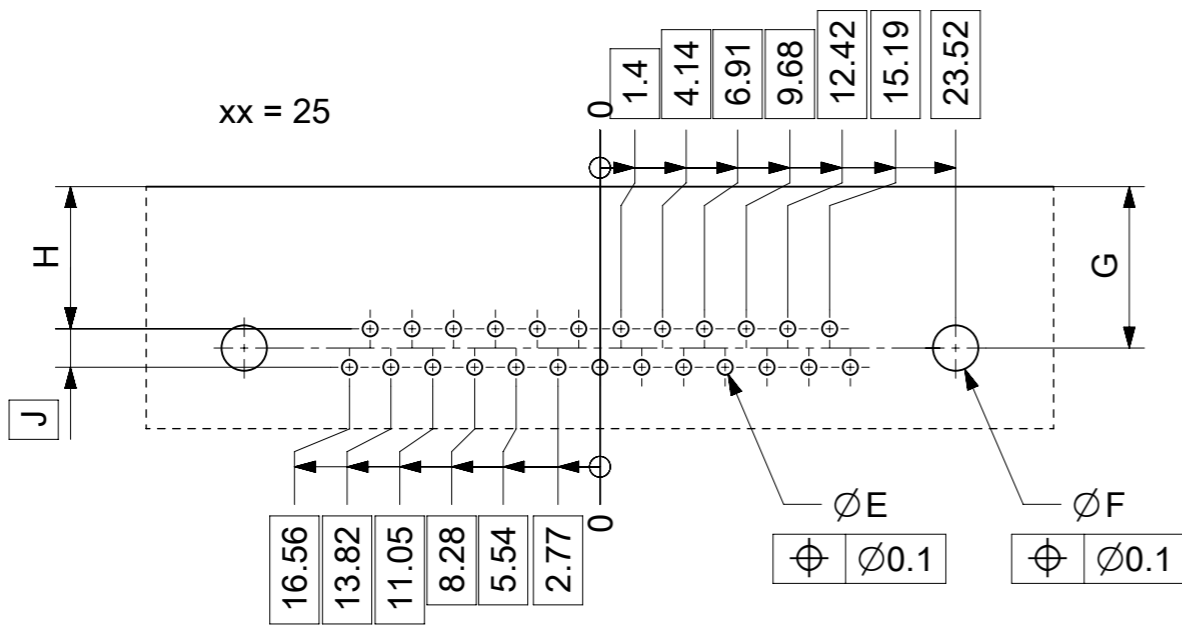
CUSTOMER: GENERAL MARKET

SHEET NUMBER: 1 OF 1

**molex**

FCT D-SUB MINIATURE CONNECTOR

PRODUCT CUSTOMER DRAWING



øE, øF, G, H, J see data sheet incl. connector  
 øF, G connectors with accessories only

MEASUREMENTS WITHOUT TOLERANCE ACC TO ISO 2768-m			REPLACEMENT FOR DOCUMENT NUMBER: AM0024		
THIS DRAWING CONTAINS INFORMATION THAT IS PROPRIETARY TO MOLEX ELECTRONIC TECHNOLOGIES, LLC AND SHOULD NOT BE USED WITHOUT WRITTEN PERMISSION					
FUNCTIONAL SYMBOLS	DIMENSION UNITS	SCALE	CURRENT REV DESC:		
$\nabla_A = 0$	mm	2:1	<b>molex</b> FCT PCB HOLE PATTERN RIGHT ANGL. CONTACT NO. OF CONTACTS 09-37 PRODUCT CUSTOMER DRAWING		
$\nabla_F = 0$	GENERAL TOLERANCES (UNLESS SPECIFIED)				
$\nabla_P = 0$	ANGULAR TOL ± °				
DIVISIONAL SYMBOLS	4 PLACES ±				
	3 PLACES ±		EC NO: 713905	2022/05/16	
	2 PLACES ±		DRWN: SKANDB	2022/07/12	
	1 PLACE ±		CHK'D: MTEUBEL	2022/07/12	
	0 PLACES ±		APPR: MTEUBEL	2022/07/12	
DRAFT WHERE APPLICABLE MUST REMAIN WITHIN DIMENSIONS			FIRST ANGLE PROJECTION	DRAWING	SERIES
				A3-SIZE	219560
			MATERIAL NUMBER	CUSTOMER	SHEET NUMBER
			219560	GENERAL MARKET	1 OF 1
			DOCUMENT NUMBER	DOC TYPE	DOC PART
			2195600024	PSD	000
			REVISION		
			A		