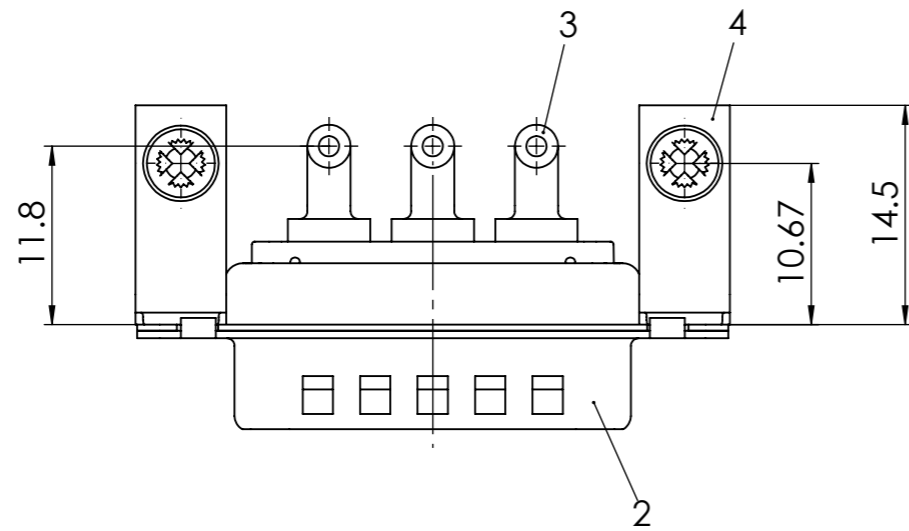
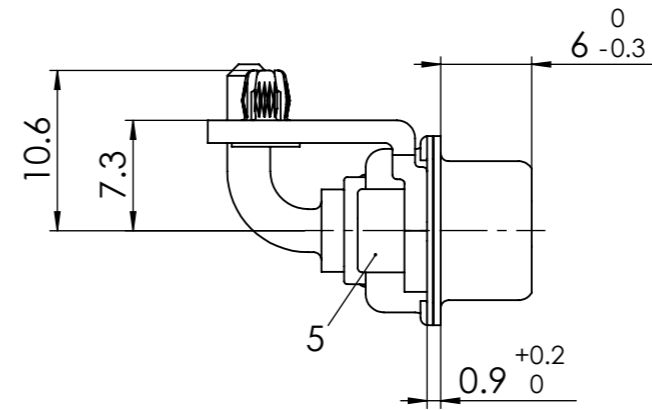
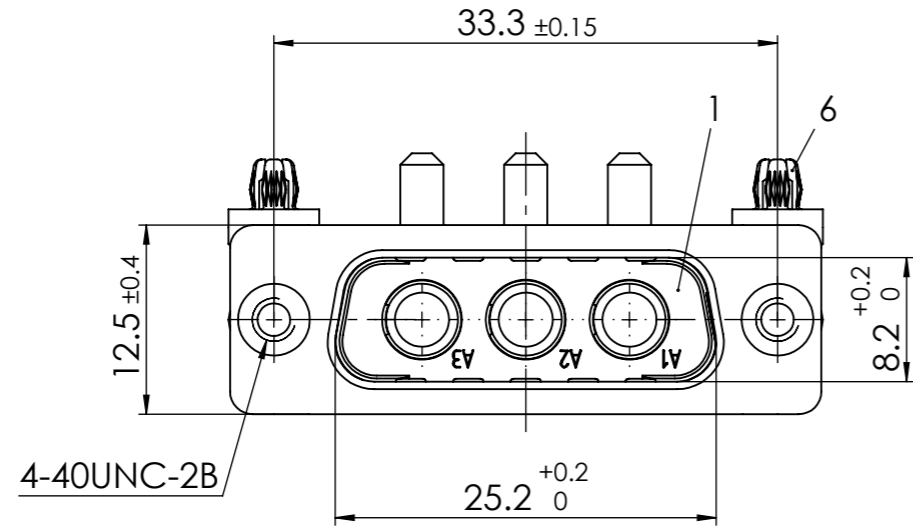
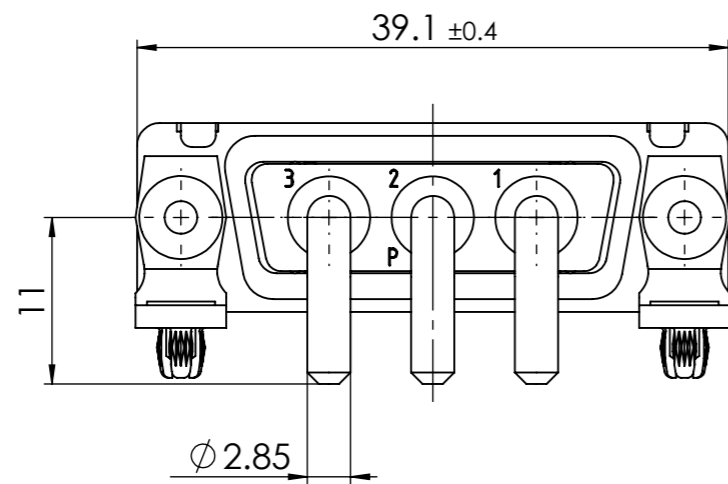
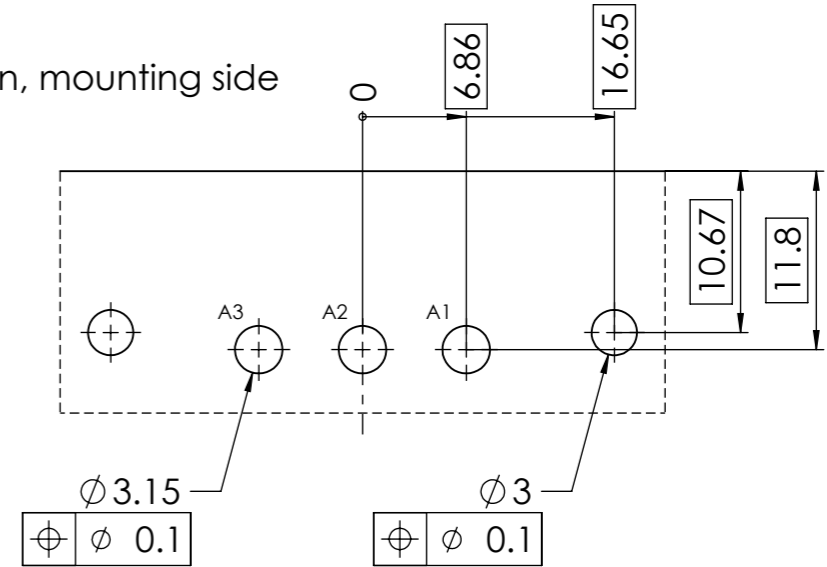


RoHS compliant
by exemption



PCB hole pattern, mounting side



No.	St.	Part	Type Description/Material	Surface plating/Colour/Class
6	2	Snap-in rivet	PCB 1.6mm / Brass	tin plated
5	2	Clinch nut	MW 4-40 / Steel	tin plated
4	2	Bracket	F1080-13B / Steel	tin plated
3	3	High power contact	FMP008P104R	20A
2	1	Shell	Steel	tin plated
1	1	Insulator	PBT (-55°C to +130°C) acc. UL94V-0	green

FUNCTIONAL SYMBOLS					THIS DRAWING CONTAINS INFORMATION THAT IS PROPRIETARY TO MOLEX ELECTRONIC TECHNOLOGIES, LLC AND SHOULD NOT BE USED WITHOUT WRITTEN PERMISSION				
▽ = 0	DIMENSION UNITS	SCALE	MEASUREMENTS WITHOUT TOLERANCE ACC. TO ISO 2768-m						
▽ = 0	mm	2:1							
▽ = 0			CURRENT REVISION		FCT D-Sub Mixed-Layout Connector				
			DRWN: DRAWN BY mteubel 07-12-2023						
			APPR: APPR BY msteinbrueck 03-01-2024		PRODUCT CUSTOMER DRAWING				
			INITIAL REVISION						
			DRWN: DRAWN BY sschref 05-03-2004		MATERIAL NUMBER 1731070641				
			APPR: APPR BY fflößmann 05-03-2004						
	REV.	CH.-NO.			DOCUMENT NUMBER FM3W3P-1343				
	REPLACEMENT FOR:		FRIST ANGLE PROJECTION	DRAWING	CUSTOMER		SHEET NUMBER 1 OF 1		
	1731070641_Rev.A1			A3-SIZE	GENERAL MARKET				

COMMENT: ALL RIGHTS ARE RESERVED BY US FOR THIS DRAWING. WITHOUT OUR PRIOR CONSENT, IT MAY NEITHER BE DUPLICATED NOR MADE AVAILABLE TO A THIRD PARTY. AND IT ALSO MAY NOT BE IMPROPERLY USED BY THE RECEIVER, OR A THIRD PARTY.