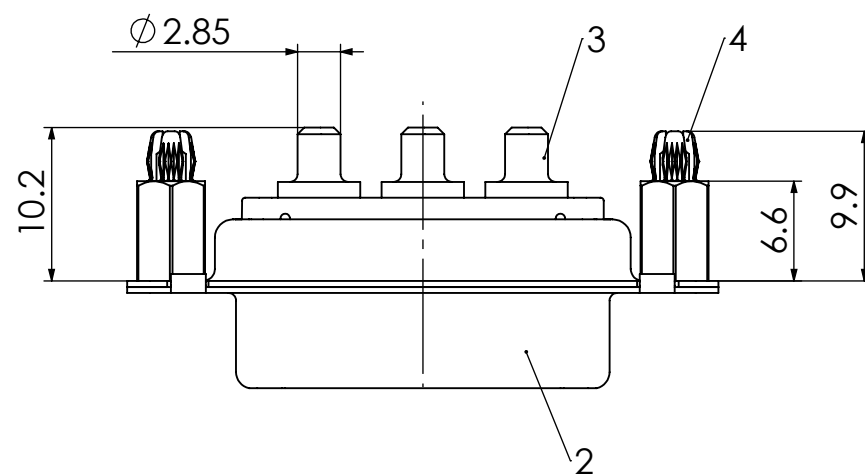
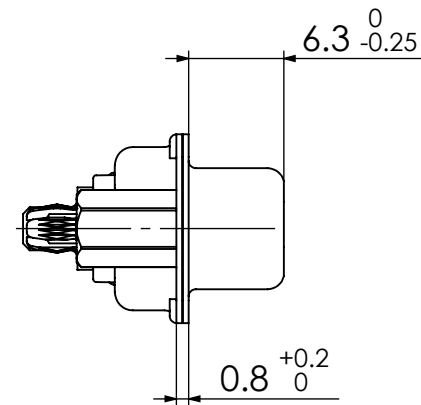
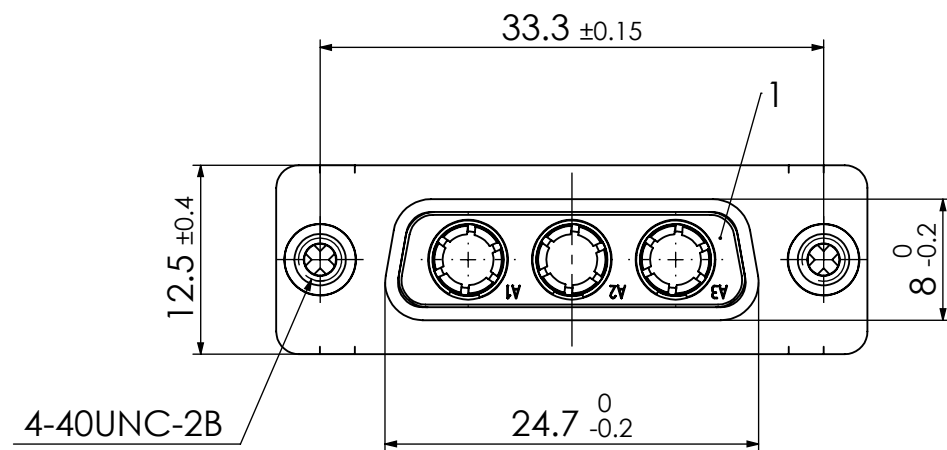
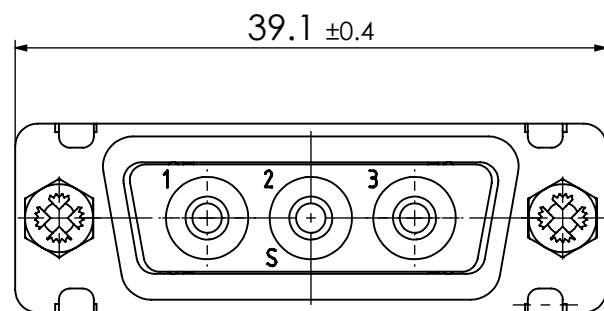
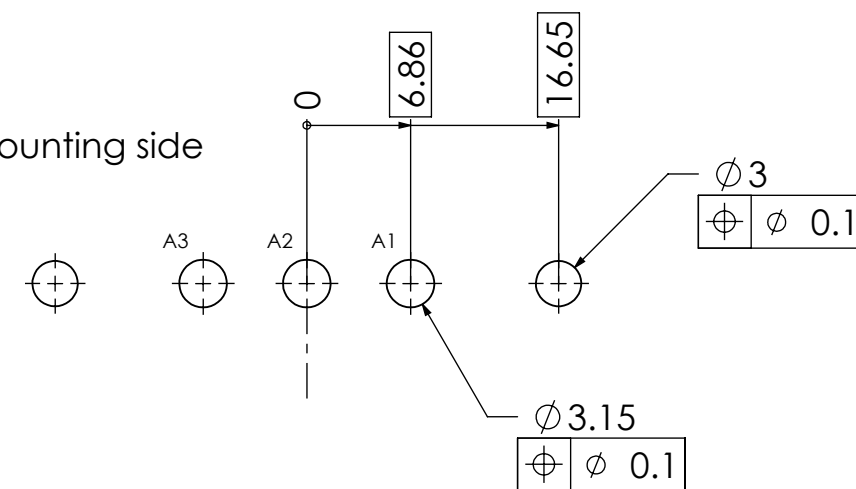


RoHS compliant
by exemption



PCB hole pattern, mounting side



4	2	Snap-in bolt	PCB 1.6mm / Brass	tin plated
3	3	High power contact	FMP010S104	20A
2	1	Shell	Steel	tin plated
1	1	Insulator	PBT (-55°C to +130°C) acc. UL94V-0	green
No.	St.	Part	Type Description/Material	Surface plating/Colour/Class

FUNCTIONAL SYMBOLS ▽ = 0 ▽ = 0 ▽ = 0					THIS DRAWING CONTAINS INFORMATION THAT IS PROPRIETARY TO MOLEX ELECTRONIC TECHNOLOGIES, LLC AND SHOULD NOT BE USED WITHOUT WRITTEN PERMISSION				
DIMENSION UNITS		SCALE		MEASUREMENTS WITHOUT TOLERANCE ACC. TO					
mm		2:1		ISO 2768-m					
CURRENT REVISION					PRODUCT CUSTOMER DRAWING				
DRWN: DRAWN BY		mteubel		04-12-2023		MATERIAL NUMBER 1731071940			REVISION 3
APPR: APPR BY		msteinbrueck		05-12-2023					
INITIAL REVISION									
DRWN: DRAWN BY		sschref		10-03-2004		DOCUMENT NUMBER FM3W3S-1410			CUSTOMER GENERAL MARKET
APPR: APPR BY		aschiekofer		10-03-2004					
REPLACEMENT FOR:		FRIST ANGLE PROJECTION		DRAWING		SHEET NUMBER 1 OF 1			
1731071940_Rev.A1				A3-SIZE					

COMMENT:
ALL RIGHTS ARE RESERVED BY US FOR THIS DRAWING. WITHOUT OUR PRIOR CONSENT, IT MAY NEITHER BE DUPLICATED NOR MADE AVAILABLE TO A THIRD PARTY. AND IT ALSO MAY NOT BE IMPROPERLY USED BY THE RECEIVER, OR A THIRD PARTY.