

RoHS COMPLIANT BY EXEMPTION

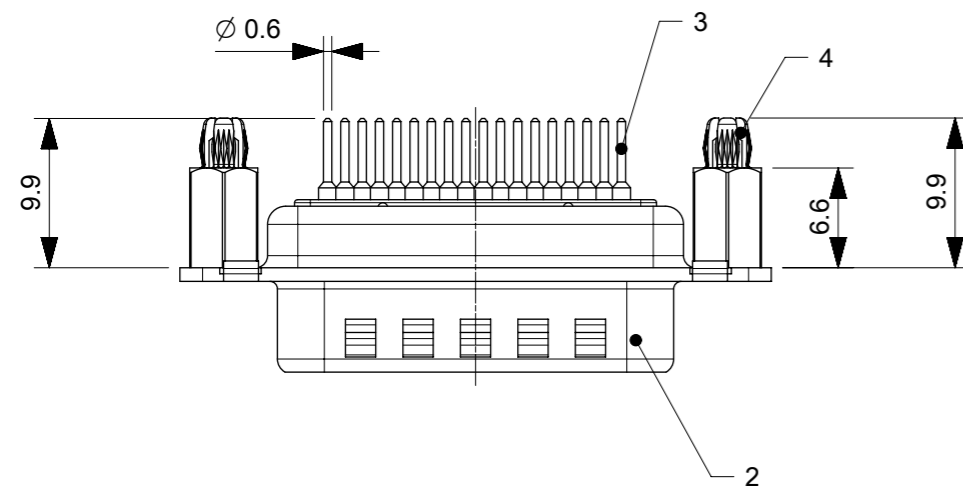


TABLE FOR PART NUMBERS

MOLEX PART#	FCT PART#	X-X	A [mm]	B [mm]	C [mm]	E[mm]	F[mm]	NO. OF CONTACTS 1./2./3. ROW	FORMERLY PART NO
1731130141	F09-15P1G0-5337	09-15	30.8	16.9	25	Ø1	Ø3	5/5/5	CT09-15P1-5688
1731130142	F15-26P1G0-5337	15-26	39.1	25.2	33.3			9/9/8	
1731130143	F25-44P1G0-5337	25-44	53	38.9	47.04			15/15/14	

*PCB HOLE PATTERNS, ØE, ØF, ON SUPPLEMENT 1731131001

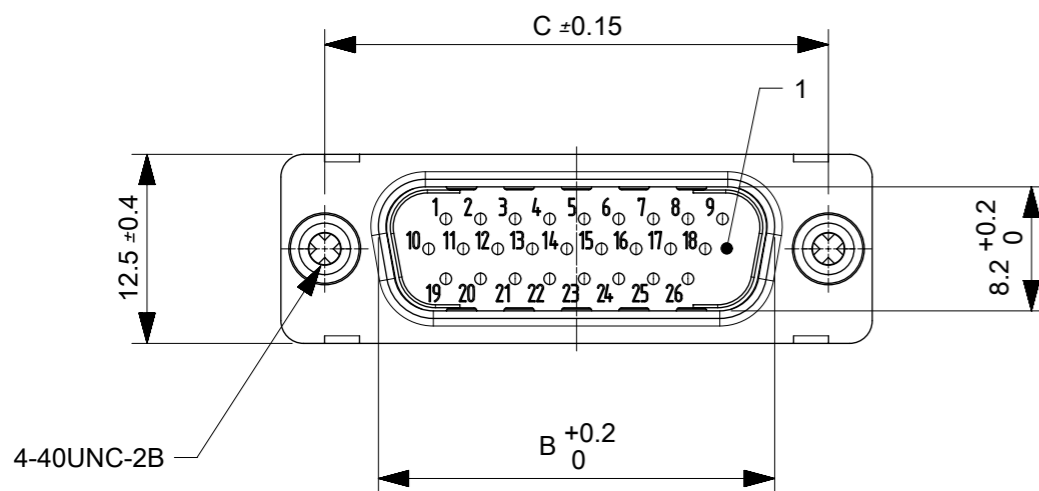
TABLE FOR GENERAL TOLERANCES

PERMISSIBLE DEVIATIONS FOR BASIC SIZE RANGE				
0.5 UPTO	OVER 3 UPTO	OVER 6 UPTO	OVER 30 UPTO	OVER 120 UPTO
3	6	30	120	400
±0.1	±0.1	±0.2	±0.3	±0.5

X-X NO. OF CONTACTS 09-15, 15-26, 25-44

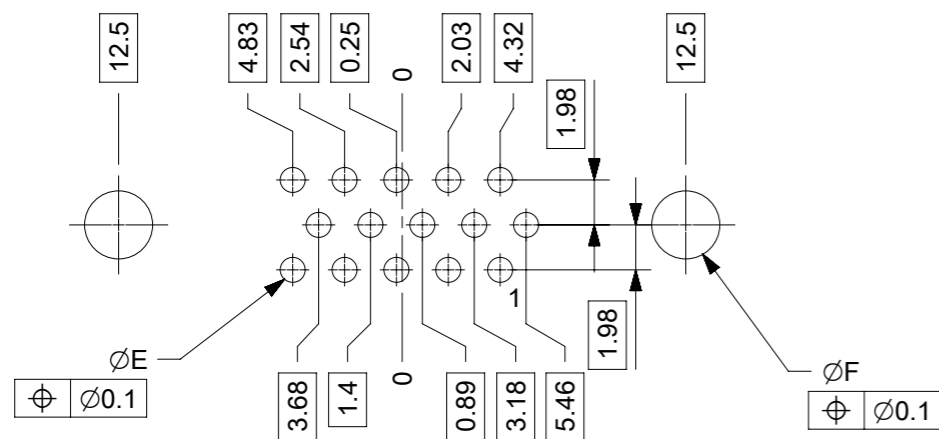
4	2	SNAP-IN BOLT	PCB 1.6mm / BRASS	TIN PLATED
3	X-X	SIGNAL CONTACT, MACHINED	HP1 / BRASS	0.8µm Au
2	1	SHELL	STEEL	TIN PLATED
1	1	INSULATOR	THERMOPLASTIC, GF	BLACK
NO.	St.	PART	TYPE DESCRIPTION/MATERIAL	SURFACE PLATING/COLOUR/CLASS

THIS DRAWING CONTAINS INFORMATION THAT IS PROPRIETARY TO MOLEX ELECTRONIC TECHNOLOGIES, LLC AND SHOULD NOT BE USED WITHOUT WRITTEN PERMISSION

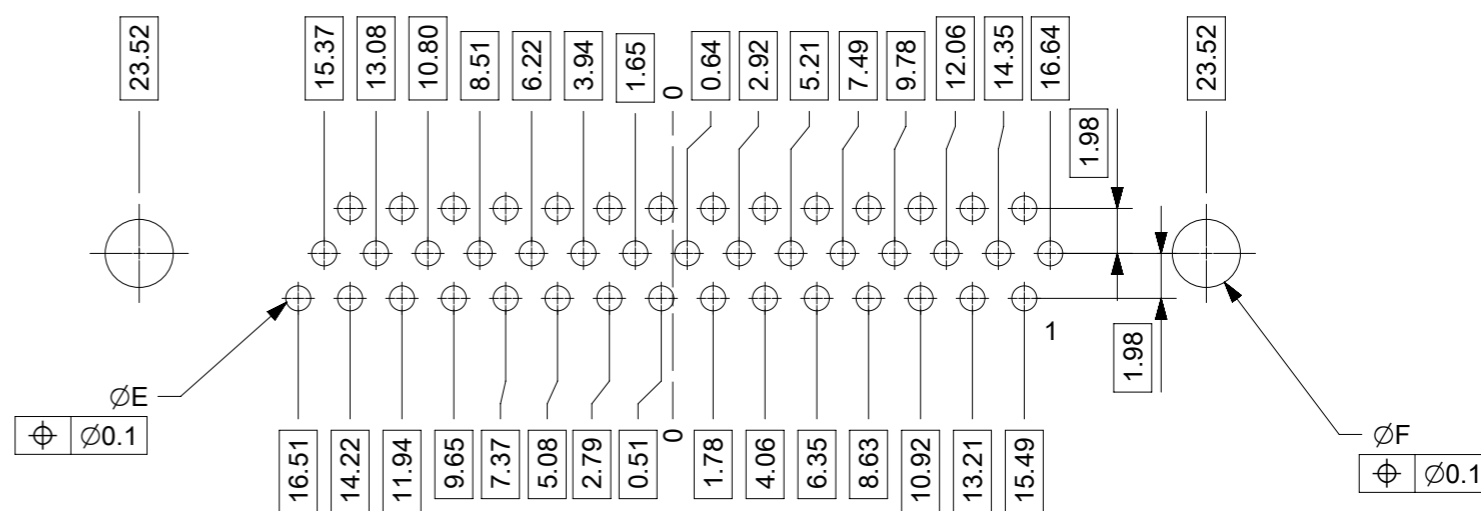


DRAWING UPDATED 2017/08/30	EC NO: 121239 DRWN: ISHWARG CHK'D: KPRASAD APPR: KPRASAD	GENERAL TOLERANCES (UNLESS SPECIFIED)		DIMENSION UNITS	SCALE		
		ANGULAR TOL ± °		mm	2:1		
		4 PLACES ±	DRWN BY	RLALSANGI	DATE		2017/04/11
		3 PLACES ±	CHK'D BY	ISHWARG	DATE		2017/06/07
2 PLACES ±	APPR BY	ISHWARG	DATE	2017/06/07	PRODUCT CUSTOMER DRAWING		
1 PLACE ±	DRAFT WHERE APPLICABLE MUST REMAIN WITHIN DIMENSIONS		DRAWING SIZE	THIRD ANGLE PROJECTION		SERIES	
0 PLACES ±	A3				173113	MATERIAL NUMBER	
						SEE TABLE	CUSTOMER
						GENERAL MARKET	
						DOCUMENT NUMBER	DOC TYPE
						1731130141	PSD
						DOC PART	SHEET NUMBER
						000	1 OF 1

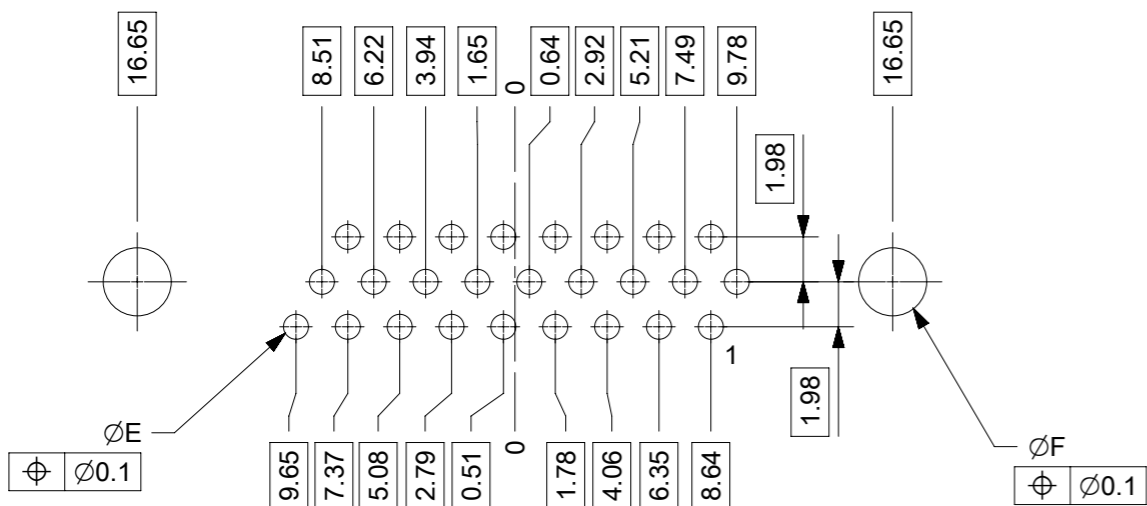
PCB 09-15



PCB 25-44



PCB 15-26



VIEW ON MOUNTING SIDE

ØE, ØF, SEE DATA SHEET INCL. CONNECTOR
 ØF, CONNECTORS WITH ACCESSORIES ONLY

THIS DRAWING CONTAINS INFORMATION THAT IS PROPRIETARY TO MOLEX ELECTRONIC TECHNOLOGIES, LLC AND SHOULD NOT BE USED WITHOUT WRITTEN PERMISSION

EC NO: 117803 DRWN: RLALSANGI CHK'D: ISHWARG APPR: ISHWARG	2017/04/20 DRWN BY	2017/06/07 CHK'D BY	2017/06/07 APPR BY	DIMENSION UNITS MM	SCALE 2:1										
	4 PLACES ±	3 PLACES ±	2 PLACES ±	1 PLACE ±	0 PLACES ±					DRWN BY RLALSANGI	DATE 2017/04/20	CHK'D BY ISHWARG	DATE 2017/06/07	APPR BY ISHWARG	DATE 2017/06/07
	DRAFT WHERE APPLICABLE MUST REMAIN WITHIN DIMENSIONS						DRAWING SIZE A3	THIRD ANGLE PROJECTION		PRODUCT CUSTOMER DRAWING					
	SERIES 173113		MATERIAL NUMBER NOT APPLICABLE		CUSTOMER GENERAL MARKET		DOCUMENT NUMBER 1731131001		DOC TYPE PSD	DOC PART 000	SHEET NUMBER 1 OF 1				