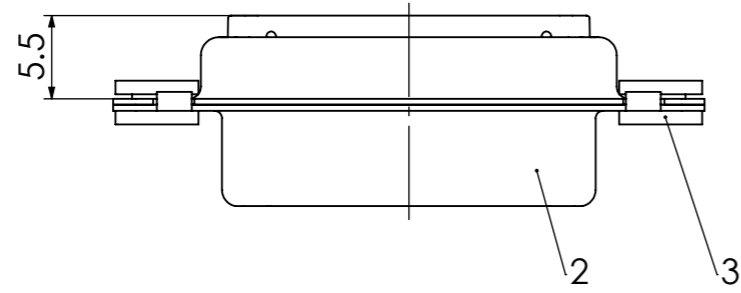
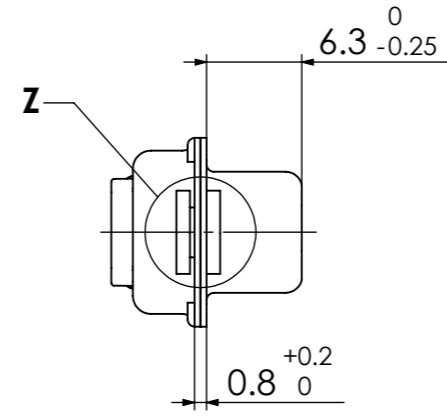
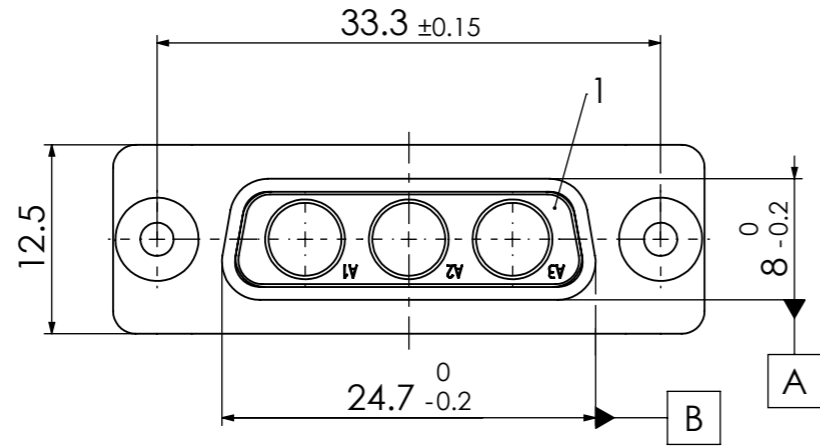
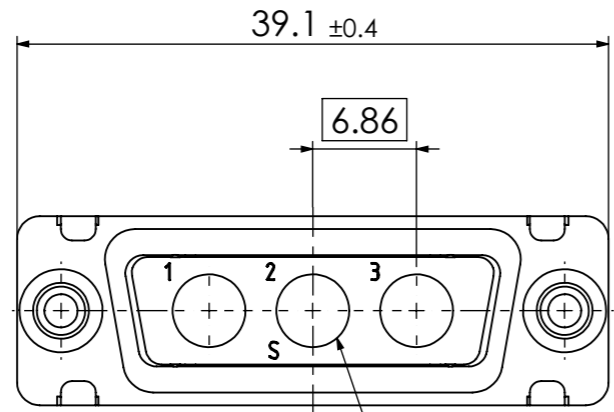
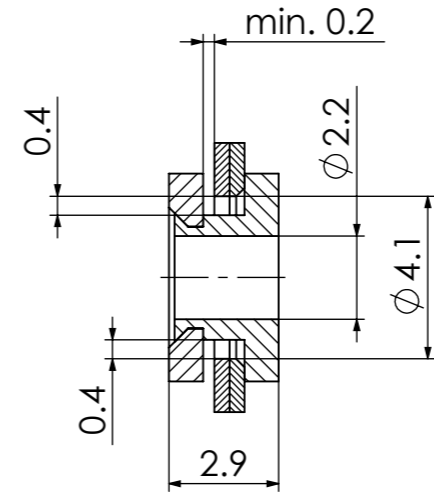


RoHS compliant



Z(5:1)
Float mount



⊕ ⌀0.1 A B

3	2	Float mount	Stainless steel	blank
2	1	Shell	Steel	tin plated
1	1	Insulator	PBT (-55°C to +130°C) acc. UL94V-0	green
No.	St.	Part	Type Description/Material	Surface plating/Colour/Class

FUNCTIONAL SYMBOLS ▽ = 0 ▽ = 0 ▽ = 0					THIS DRAWING CONTAINS INFORMATION THAT IS PROPRIETARY TO MOLEX ELECTRONIC TECHNOLOGIES, LLC AND SHOULD NOT BE USED WITHOUT WRITTEN PERMISSION				
DIMENSION UNITS		SCALE		MEASUREMENTS WITHOUT TOLERANCE ACC. TO					
mm		2:1		ISO 2768-m					
CURRENT REVISION					FCT-D-Sub Mixed-Layout Connector PRODUCT CUSTOMER DRAWING				
DRWN: DRAWN BY		tschneider01		20-05-2019					
APPR: APPR BY		MTeubel		20-05-2019					
INITIAL REVISION					MATERIAL NUMBER 1731070203				
DRWN: DRAWN BY		Denzinger		19-04-2004					
APPR: APPR BY		aschiekofer		19-04-2004					
REVISION		CH.-NO.		DOCUMENT NUMBER		CUSTOMER		SHEET NUMBER	
3		24410		FMW3W3S-K121		GENERAL MARKET		1 OF 1	
2		24130		REVISION				3	
1				REVISION					
REPLACEMENT FOR:		FRIST ANGLE PROJECTION		DRAWING					
1731070203_Rev.A1				A3-SIZE					

COMMENT: ALL RIGHTS ARE RESERVED BY US FOR THIS DRAWING. WITHOUT OUR PRIOR CONSENT, IT MAY NEITHER BE DUPLICATED NOR MADE AVAILABLE TO A THIRD PARTY. AND IT ALSO MAY NOT BE IMPROPERLY USED BY THE RECEIVER, OR A THIRD PARTY.