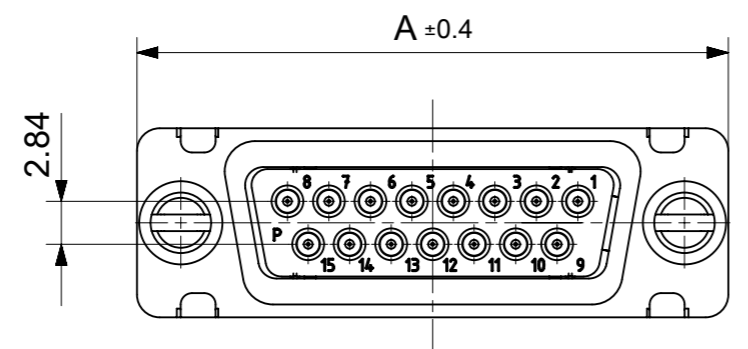
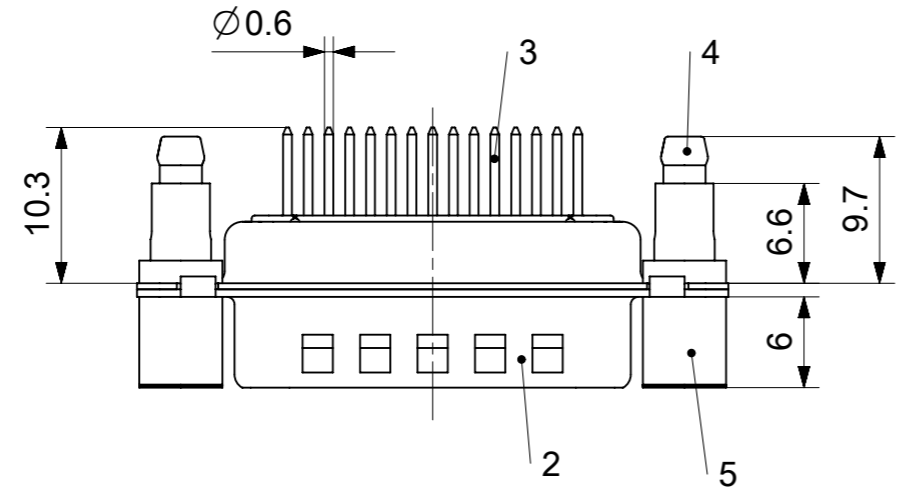
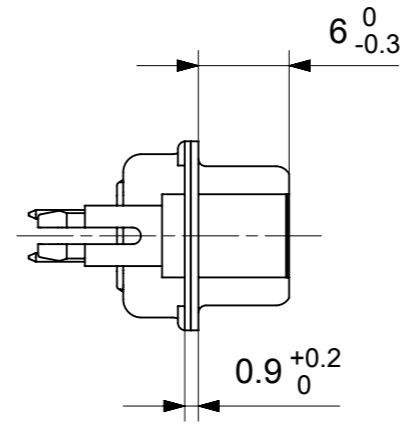
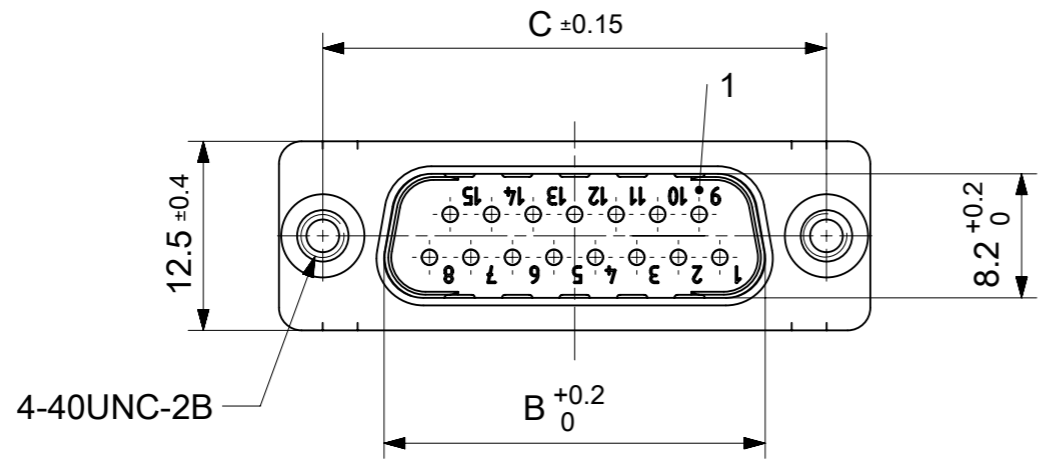


RoHS compliant  
by exemption



FCT Part number:  
Fxx\*1)P1y\*2)-0537  
e.g. F15P1G1-0537  
\*1) xx No. of contacts 09, 15, 25 or 37  
\*2) y for performance classes 1, 2 or 3  
(contact cycle for G1/G2/G3 = 500/200/50)

Material Number	xx*1)	y*2)	A[mm]	B[mm]	C[mm]	*E[mm]	*F[mm]
1731090308	09	G1	30.8	16.9	25	Ø1	Ø3
1731091244	15	G1	39.1	25.2	33.3		
1731091403	25	G2	53	38.9	47.04		
-	37	-	69.3	55.3	63.5		

\*PCB hole patterns ØE, ØF see document 2195600023

No.	Pc.	Part	Type Description/Material	Surface plating/Color/Class
5	2	Support sleeve	Brass	tin plated
4	2	Snap-in bolt	PCB 1.6mm / Brass	tin plated
3	xx	Signal contact	P1 / Brass	G1 / G2
2	1	Shell	Steel	tin plated
1	1	Insulator	PBT (-55°C to +125°C) acc. UL94V-0	white

MEASUREMENTS WITHOUT TOLERANCE ACC TO ISO 2768-m				REPLACEMENT FOR DOCUMENT NUMBER: FxxP1Gy-0537			
THIS DRAWING CONTAINS INFORMATION THAT IS PROPRIETARY TO MOLEX ELECTRONIC TECHNOLOGIES, LLC AND SHOULD NOT BE USED WITHOUT WRITTEN PERMISSION							
FUNCTIONAL SYMBOLS	DIMENSION UNITS	SCALE	CURRENT REV DESC:				
∇A = 0	mm	2:1	<p><b>molex</b></p> <p>FCT D-SUB MINIATURE CONNECTOR</p> <p>PRODUCT CUSTOMER DRAWING</p>				
∇E = 0	GENERAL TOLERANCES (UNLESS SPECIFIED)						
∇F = 0	ANGULAR TOL ± °						
	4 PLACES ±						
DIVISIONAL SYMBOLS	3 PLACES ±		EC NO: 706086		2021/11/26		
	2 PLACES ±		DRWN: SKANDB		2022/05/11		
	1 PLACE ±		CHK'D: MTEUBEL		2022/05/11		
	0 PLACES ±		APPR: MTEUBEL		2022/05/11		
INITIAL REVISION:			DRWN: SKANDB		2021/11/26		
DRAFT WHERE APPLICABLE MUST REMAIN WITHIN DIMENSIONS			APPR: MTEUBEL		2022/05/11		
FIRST ANGLE PROJECTION		DRAWING	SERIES	MATERIAL NUMBER	CUSTOMER	DOC TYPE	DOC PART
		A3-SIZE	173109	SEE TABLE	GENERAL MARKET	PSD	000
SHEET NUMBER				REVISION			
1 OF 1				A			



$\varnothing E$ ,  $\varnothing F$  see data sheet incl. connector  
 $\varnothing F$  connectors with accessories only

MEASUREMENTS WITHOUT TOLERANCE ACC TO ISO 2768-m			REPLACEMENT FOR DOCUMENT NUMBER: AM0023			
THIS DRAWING CONTAINS INFORMATION THAT IS PROPRIETARY TO MOLEX ELECTRONIC TECHNOLOGIES, LLC AND SHOULD NOT BE USED WITHOUT WRITTEN PERMISSION						
FUNCTIONAL SYMBOLS	DIMENSION UNITS	SCALE	CURRENT REV DESC:			
$\nabla_A = 0$	mm	2:1	EC NO: 713905			
$\nabla_E = 0$	GENERAL TOLERANCES (UNLESS SPECIFIED)		DRWN: SKANDB 2022/05/16			
$\nabla_P = 0$	ANGULAR TOL $\pm$ °		CHK'D: MTEUBEL 2022/07/12			
DIVISIONAL SYMBOLS	4 PLACES $\pm$		APPR: MTEUBEL 2022/07/12			
	3 PLACES $\pm$		INITIAL REVISION:			
	2 PLACES $\pm$		DRWN: SKANDB 2022/05/16			
	1 PLACE $\pm$		APPR: MTEUBEL 2022/07/12			
	0 PLACES $\pm$		DOCUMENT NUMBER			
DRAFT WHERE APPLICABLE MUST REMAIN WITHIN DIMENSIONS		FIRST ANGLE PROJECTION	DRAWING	SERIES	MATERIAL NUMBER	CUSTOMER
			A3-SIZE	219560	219560	GENERAL MARKET
			PRODUCT CUSTOMER DRAWING		DOC TYPE	DOC PART
			2195600023		PSD	000
			1 OF 1		REVISION	A