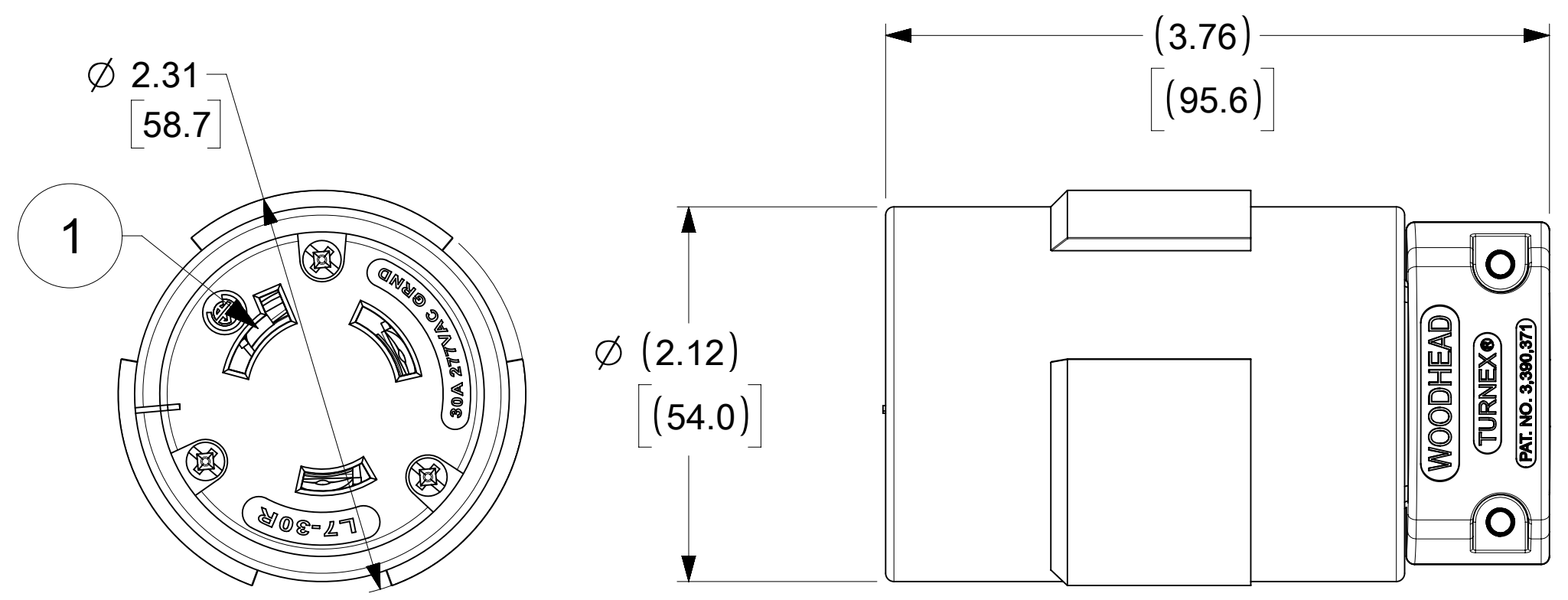
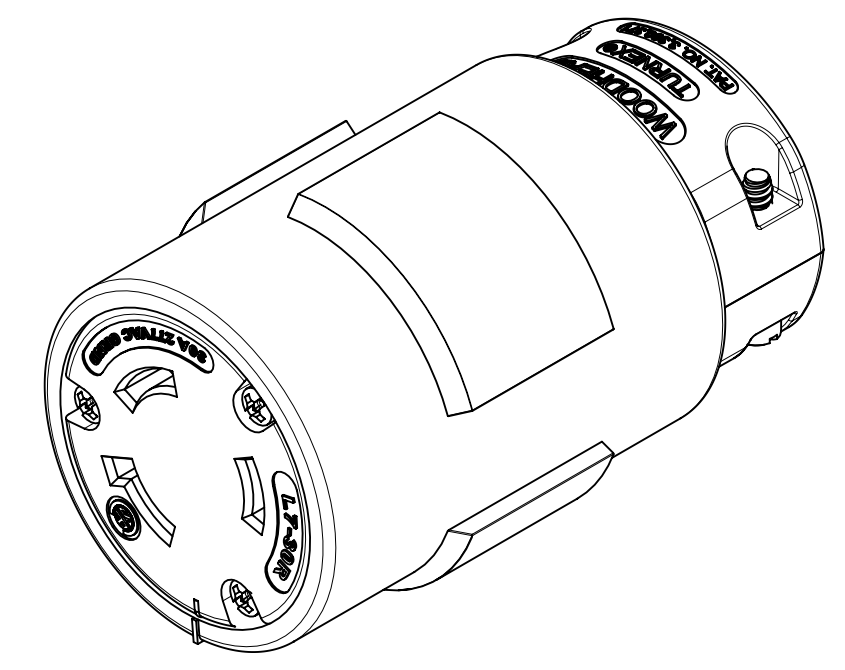
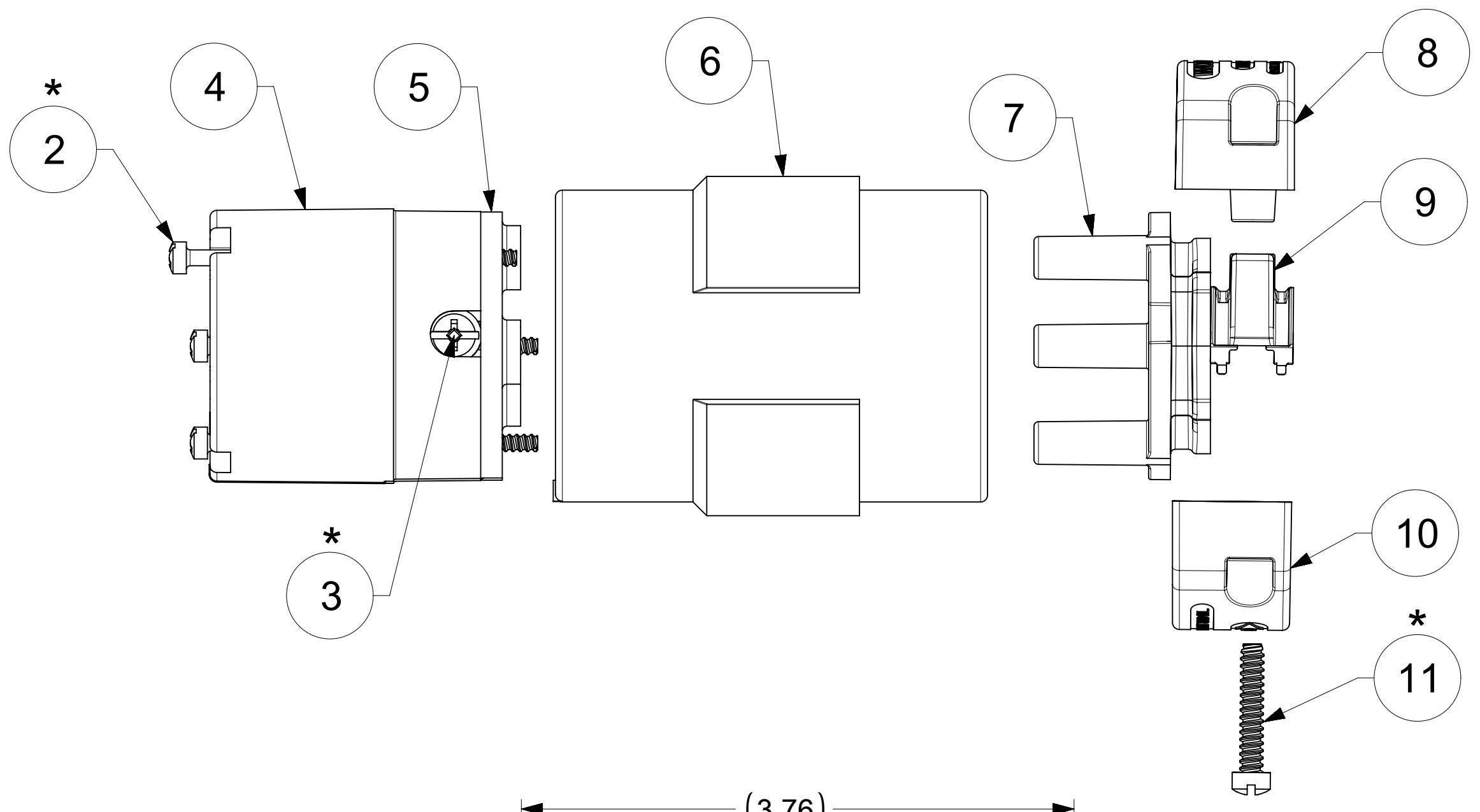
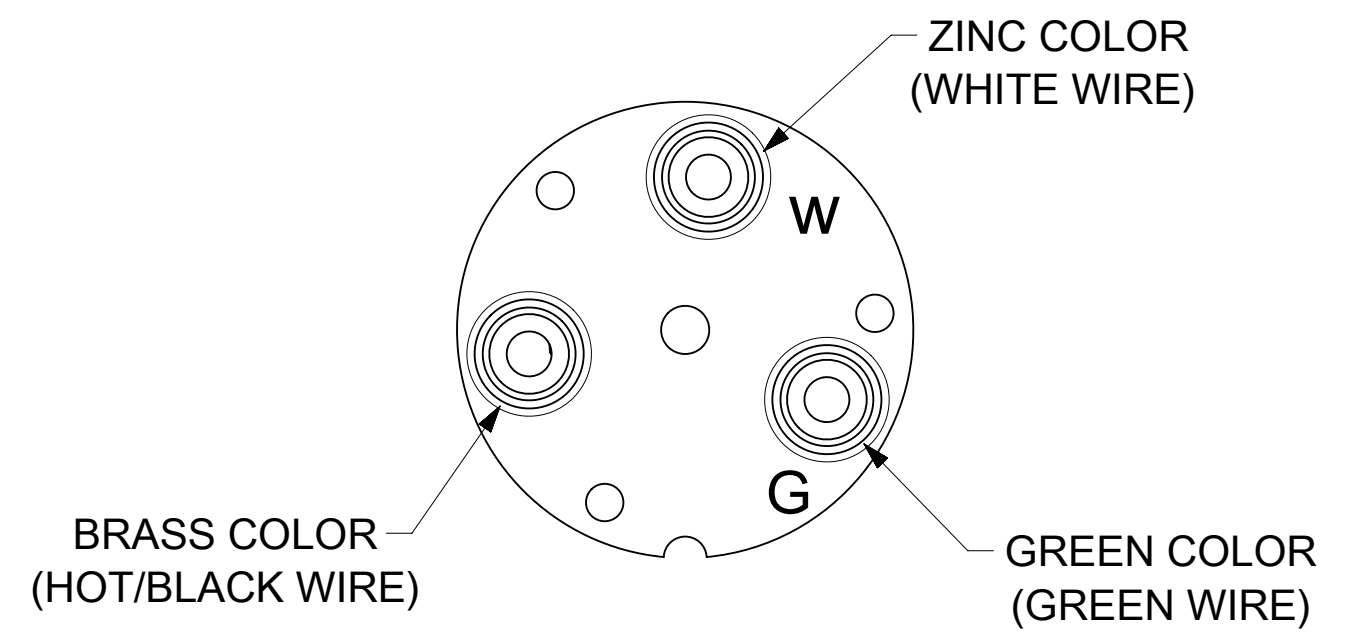


ORDER NO.	WOODHEAD NO.	COLOR
130141-0069	2949	YELLOW



WIRING TERMINATION



* FOR SCREW TORQUE, SEE ASSEMBLY INSTRUCTIONS

ITEM NO.	DESCRIPTIONS	MATERIAL	QTY.
1	CLIPS	BRASS, NICKEL PLATED	3
2	RETAINING SCREWS	STAINLESS STEEL	3
3	TERMINAL SCREWS/CLAMP ASSEMBLY	BRASS, ZINC PLATED	3
4	INSERT	NYLON	1
5	TERMINAL COVER	POLYCARBONATE	1
6	CONNECTOR HOUSING	RUBBER	1
7	CLAMP SUPPORT	NYLON	1
8	CLAMP CORD MALE	NYLON	1
9	CLAMP CORD INSERT	NYLON	1
10	CLAMP CORD FEMALE	NYLON	1
11	RETAINING SCREWS	STEEL	2

THIS DRAWING CONTAINS INFORMATION THAT IS PROPRIETARY TO MOLEX ELECTRONIC TECHNOLOGIES, LLC AND SHOULD NOT BE USED WITHOUT WRITTEN PERMISSION

SYMBOLS	DIMENSION UNITS	SCALE	CURRENT REV DESC: NEW RELEASE	
	INCH/MM	NTS		
▽ = 0	GENERAL TOLERANCES (UNLESS SPECIFIED)		EC NO: 628225	
		MM	INCH	
▽ = 0	4 PLACES	±	±	DRWN: VHANDI 2019/06/21
▽ = 0	3 PLACES	±	±	CHK'D: DNGUYEN62 2019/12/13
▽ = 0	2 PLACES	±	±	APPR: HKNEELAND 2020/06/01
▽ = 0	1 PLACE	±	±	INITIAL REVISION:
▽ = 0	0 PLACES	±	±	DRWN: VHANDI 2019/06/21
▽ = 0	ANGULAR TOL	±	°	APPR: HKNEELAND 2020/06/01
▽ = 0	DRAFT WHERE APPLICABLE MUST REMAIN WITHIN DIMENSIONS		THIRD ANGLE PROJECTION	DRAWING SERIES
			C-SIZE	130141

molex			SUPER-SAFEWAY CONN NEMA 2P3W L7-30		
			PRODUCT CUSTOMER DRAWING		
DOCUMENT NUMBER		DOC TYPE	DOC PART	REVISION	
1301410069		PSD	000	A	
MATERIAL NUMBER		CUSTOMER		SHEET NUMBER	
SEE TABLE		GENERAL MARKET		1 OF 1	