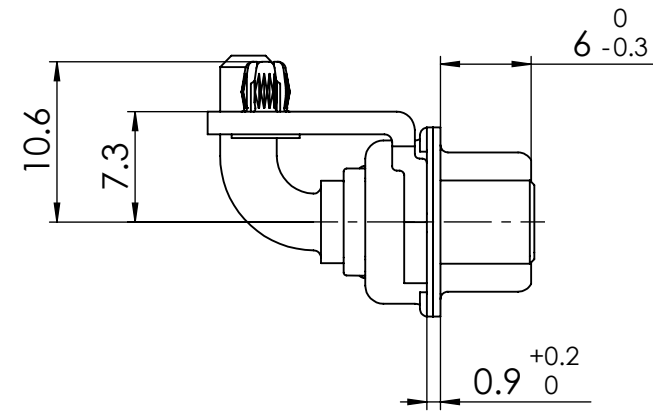
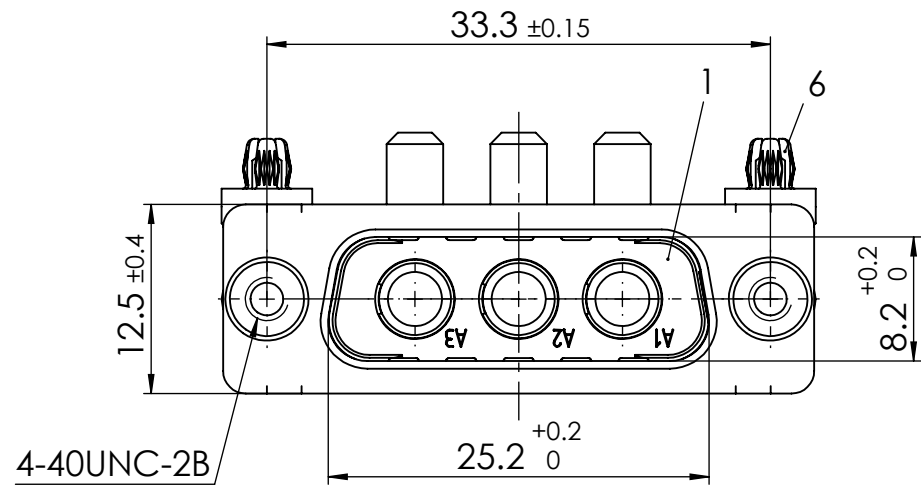
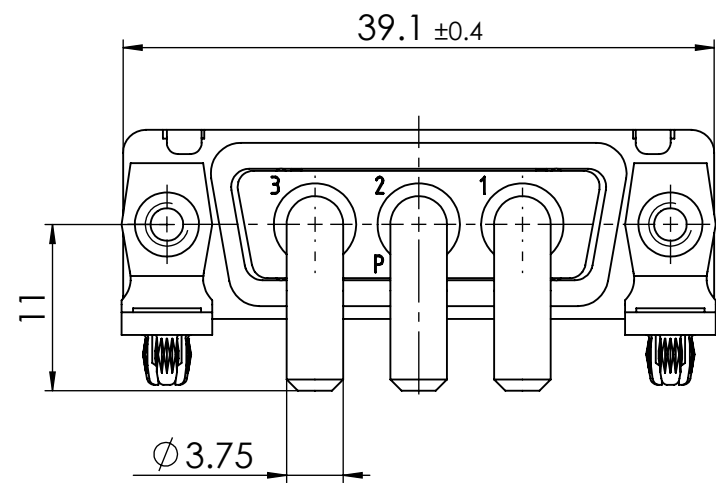
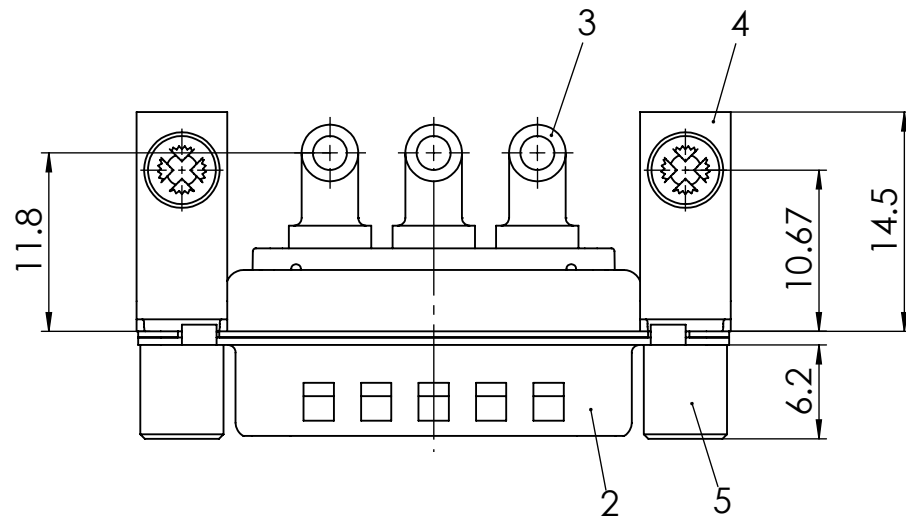
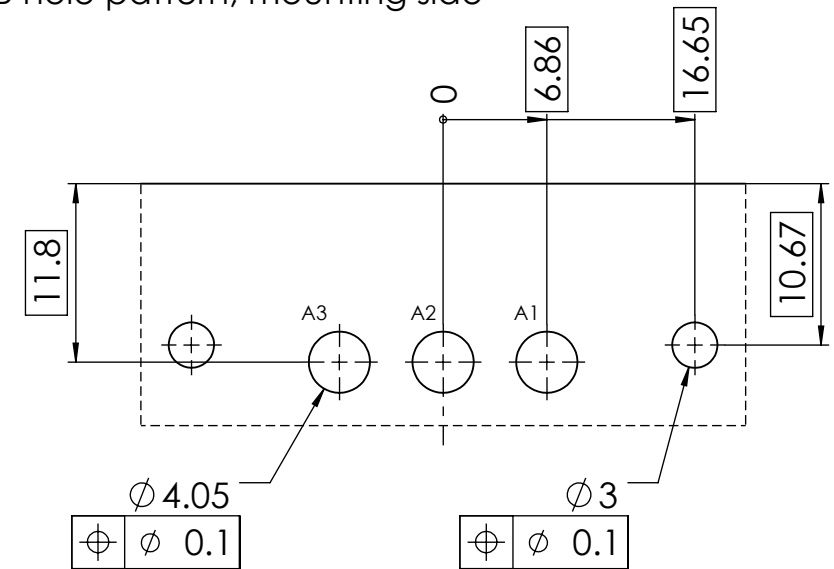


RoHS compliant  
by exemption



PCB hole pattern, mounting side



| No. | St. | Part               | Type Description/Material          | Surface plating/Colour/Class |
|-----|-----|--------------------|------------------------------------|------------------------------|
| 6   | 2   | Snap-in rivet      | PCB 1.6mm / Brass                  | tin plated                   |
| 5   | 2   | Threaded spacer    | MW 4-40 / Steel                    | tin plated                   |
| 4   | 2   | Bracket            | F1080-13B / Steel                  | tin plated                   |
| 3   | 3   | High power contact | FMP009P203R                        | 40A / AuroPur                |
| 2   | 1   | Shell              | Steel                              | tin plated                   |
| 1   | 1   | Insulator          | PBT (-55°C to +130°C) acc. UL94V-0 | green                        |

| FUNCTIONAL SYMBOLS |       |       |                 |       | THIS DRAWING CONTAINS INFORMATION THAT IS PROPRIETARY TO MOLEX ELECTRONIC TECHNOLOGIES, LLC AND SHOULD NOT BE USED WITHOUT WRITTEN PERMISSION |                        |            |                                  |                |
|--------------------|-------|-------|-----------------|-------|---|------------------------|------------|----------------------------------|----------------|
| ▽ = 0              | ▽ = 0 | ▽ = 0 | DIMENSION UNITS | SCALE | MEASUREMENTS WITHOUT TOLERANCE ACC. TO ISO 2768-m   |                        |            |                                  |                |
|                    |       |       | mm              | 2:1   | CURRENT REVISION  |                        |            |                                  |                |
|                    |       |       |                 |       | DRWN: DRAWN BY  | mteubel                | 07-12-2023 | FCT D-Sub Mixed-Layout Connector |                |
|                    |       |       |                 |       | APPR: APPR BY   | msteinbrueck           | 03-01-2024 | PRODUCT CUSTOMER DRAWING         |                |
|                    |       |       |                 |       | INITIAL REVISION  |                        |            |                                  |                |
|                    |       |       |                 |       | DRWN: DRAWN BY  | ADenzinger             | 28-08-2013 | MATERIAL NUMBER                  | REVISION       |
|                    |       |       |                 |       | APPR: APPR BY   | sschref                | 28-08-2013 | 1731070198                       | 2              |
|                    |       |       |                 |       | REPLACEMENT FOR:  | FRIST ANGLE PROJECTION | DRAWING    | DOCUMENT NUMBER                  | CUSTOMER       |
|                    |       |       |                 |       | 1731070198_Rev.A1   |                        | A3-SIZE    | FM3W3P-4082                      | GENERAL MARKET |
|                    |       |       |                 |       |   |                        |            |                                  | SHEET NUMBER   |
|                    |       |       |                 |       |   |                        |            |                                  | 1 OF 1         |

COMMENT: ALL RIGHTS ARE RESERVED BY US FOR THIS DRAWING. WITHOUT OUR PRIOR CONSENT, IT MAY NEITHER BE DUPLICATED NOR MADE AVAILABLE TO A THIRD PARTY. AND IT ALSO MAY NOT BE IMPROPERLY USED BY THE RECEIVER, OR A THIRD PARTY.