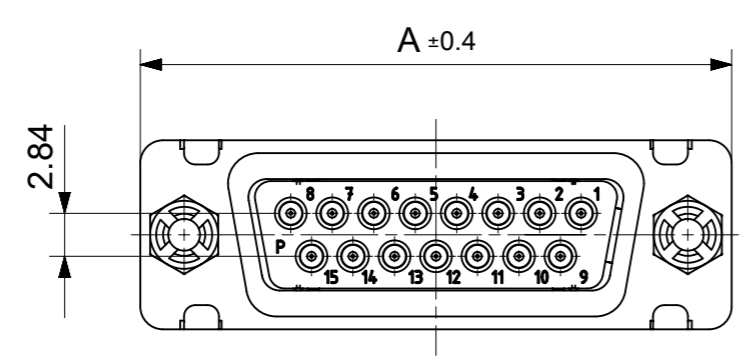
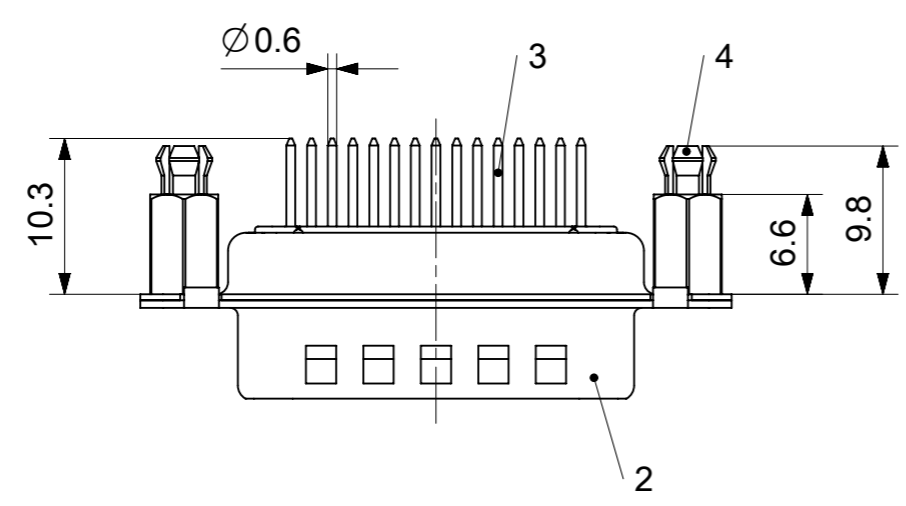
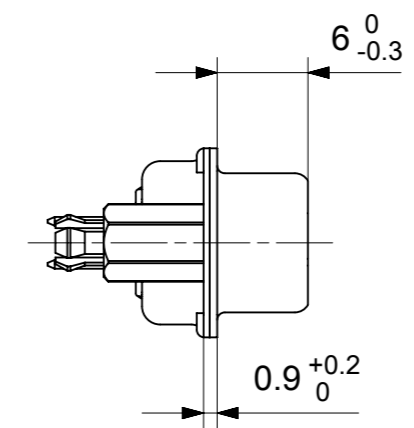
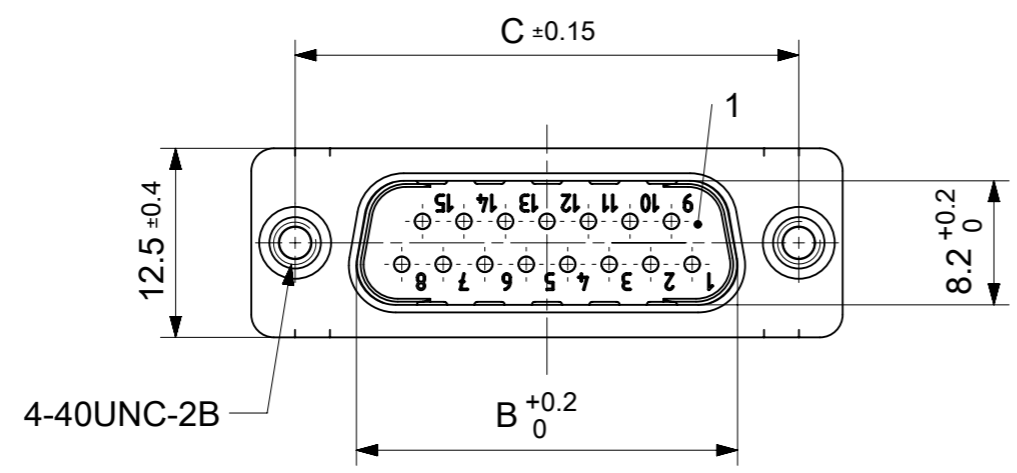


RoHS compliant  
by exemption



FCT Part number:  
Fxx\*1)P1y\*2)-K394  
e.g. F15P1G1-K394  
\*1) xx No. of contacts 09, 15, 25 or 37  
\*2) y for performance classes 1, 2 or 3  
(contact cycle for G1/G2/G3 = 500/200/50)

Material Number	xx*1)	y*2)	A[mm]	B[mm]	C[mm]	*E[mm]	*F[mm]
1731090864	09	G1	30.8	16.9	25	Ø1	Ø3
1731091077		G3					
-	15	-	39.1	25.2	33.3		
-	25	-	53	38.9	47.04		
-	37	-	69.3	55.3	63.5		

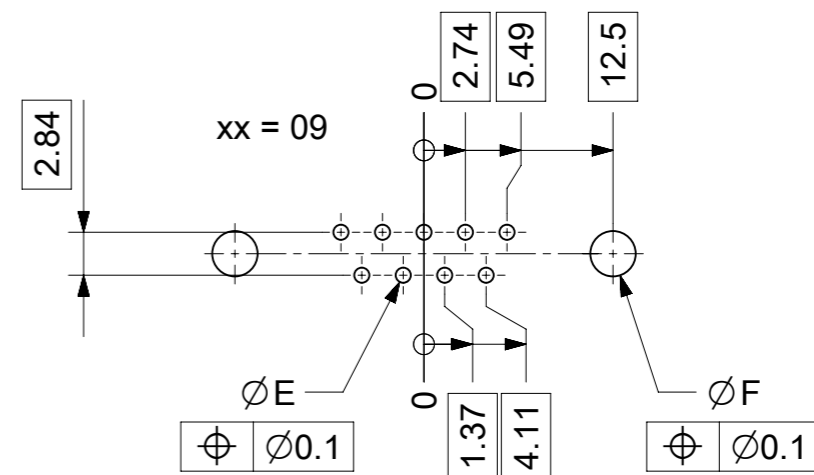
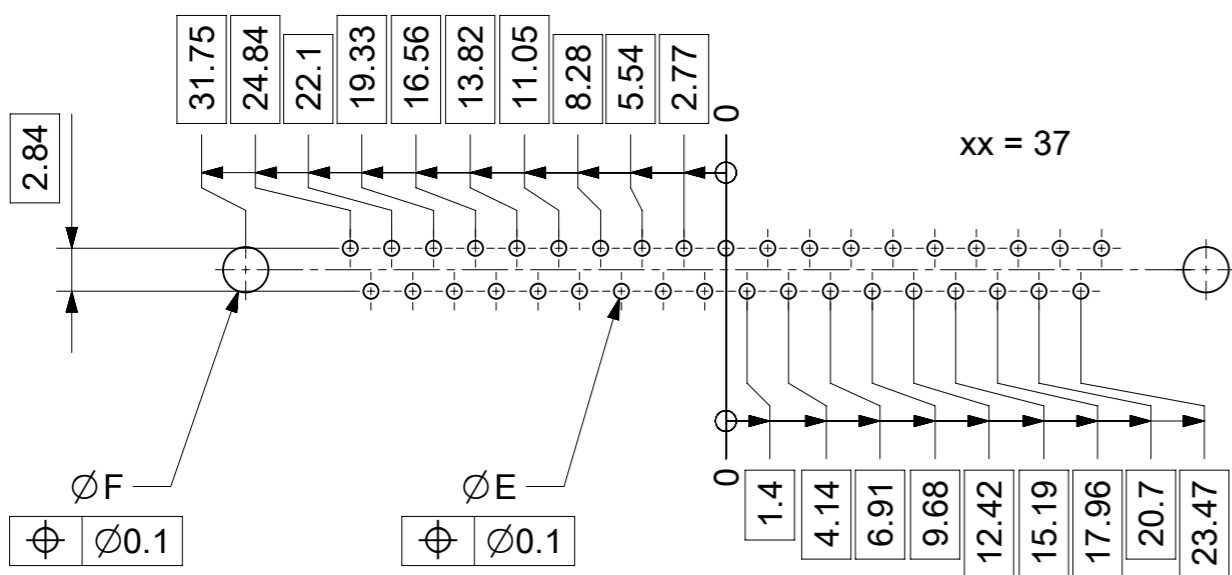
\*PCB hole patterns ØE, ØF see document 2195600023

No.	Pc.	Part	Type Description/Material	Surface plating/Color/Class
4	2	Snap-in bolt	PCB 1.6mm / Brass	tin plated
3	xx	Signal contact	P1 / Brass	G1 / G3
2	1	Shell	Steel	tin plated
1	1	Insulator	PBT (-55°C to +125°C) acc. UL94V-0	white

MEASUREMENTS WITHOUT TOLERANCE ACC TO ISO 2768-m

REPLACEMENT FOR DOCUMENT NUMBER: FxxP1Gy-K394

FUNCTIONAL SYMBOLS	THIS DRAWING CONTAINS INFORMATION THAT IS PROPRIETARY TO MOLEX ELECTRONIC TECHNOLOGIES, LLC AND SHOULD NOT BE USED WITHOUT WRITTEN PERMISSION	CURRENT REV DESC:		<b>molex</b>
△A = 0	DIMENSION UNITS: mm	SCALE: 2:1	EC NO: 695697	
△E = 0	GENERAL TOLERANCES (UNLESS SPECIFIED)		DRWN: SKANDB 2021/11/25	FCT D-SUB MINIATURE CONNECTOR
△F = 0	ANGULAR TOL ± °		CHK'D: MSTEINBRUECK 2022/02/14	
DIVISIONAL SYMBOLS	4 PLACES ±		APPR: MSTEINBRUECK 2022/02/14	PRODUCT CUSTOMER DRAWING
	3 PLACES ±		INITIAL REVISION:	DOCUMENT NUMBER
	2 PLACES ±		DRWN: SKANDB 2021/11/25	1731090864
	1 PLACE ±		APPR: MSTEINBRUECK 2022/02/14	DOC TYPE: PSD
	0 PLACES ±			DOC PART: 000
	DRAFT WHERE APPLICABLE MUST REMAIN WITHIN DIMENSIONS		FIRST ANGLE PROJECTION	REVISION: A
			DRAWING: A3-SIZE	SHEET NUMBER: 1 OF 1
			SERIES: 173109	
			MATERIAL NUMBER: SEE TABLE	
			CUSTOMER: GENERAL MARKET	



$\varnothing E$ ,  $\varnothing F$  see data sheet incl. connector  
 $\varnothing F$  connectors with accessories only

MEASUREMENTS WITHOUT TOLERANCE ACC TO ISO 2768-m				REPLACEMENT FOR DOCUMENT NUMBER: AM0023			
THIS DRAWING CONTAINS INFORMATION THAT IS PROPRIETARY TO MOLEX ELECTRONIC TECHNOLOGIES, LLC AND SHOULD NOT BE USED WITHOUT WRITTEN PERMISSION							
FUNCTIONAL SYMBOLS	DIMENSION UNITS	SCALE	CURRENT REV DESC:				
$\nabla_A = 0$	mm	2:1	EC NO: 713905				
$\nabla_E = 0$	GENERAL TOLERANCES (UNLESS SPECIFIED)		DRWN: SKANDB 2022/05/16				
$\nabla_P = 0$	ANGULAR TOL $\pm$ °		CHK'D: MTEUBEL 2022/07/12				
DIVISIONAL SYMBOLS	4 PLACES	$\pm$	APPR: MTEUBEL 2022/07/12				
	3 PLACES	$\pm$	INITIAL REVISION:				
	2 PLACES	$\pm$	DRWN: SKANDB 2022/05/16				
	1 PLACE	$\pm$	APPR: MTEUBEL 2022/07/12				
	0 PLACES	$\pm$	DOCUMENT NUMBER: 2195600023				
DRAFT WHERE APPLICABLE MUST REMAIN WITHIN DIMENSIONS		FIRST ANGLE PROJECTION	DRAWING	SERIES	MATERIAL NUMBER	CUSTOMER	DOC TYPE   DOC PART   REVISION
			A3-SIZE	219560	219560	GENERAL MARKET	PSD   000   A
DOCUMENT STATUS		P1	RELEASE DATE	2022/07/12	08:25:55	SHEET NUMBER	
						1 OF 1	