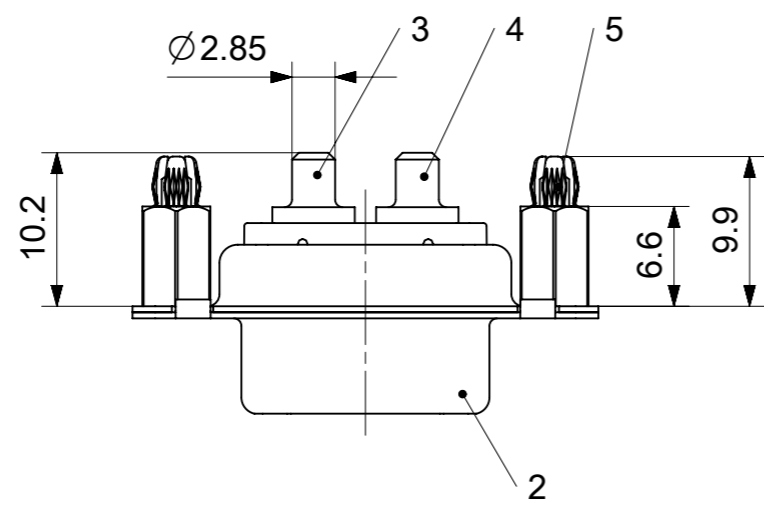
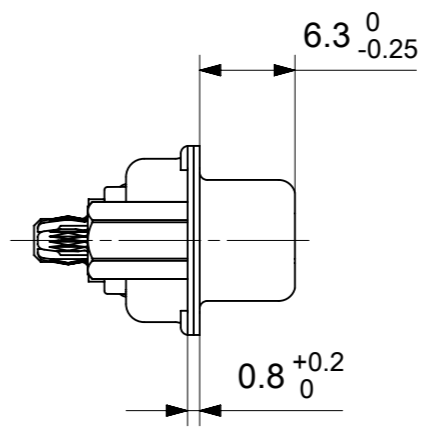
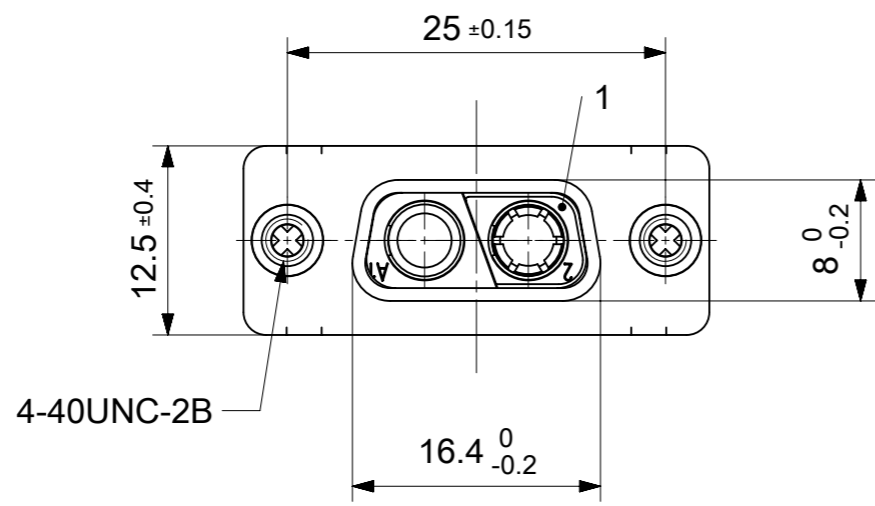
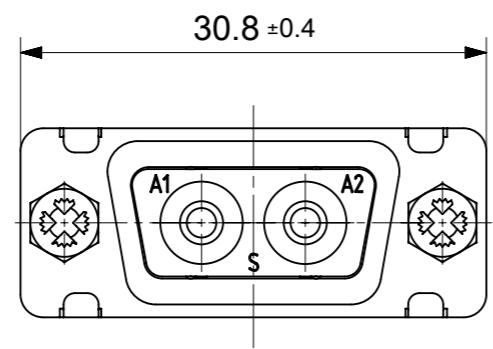
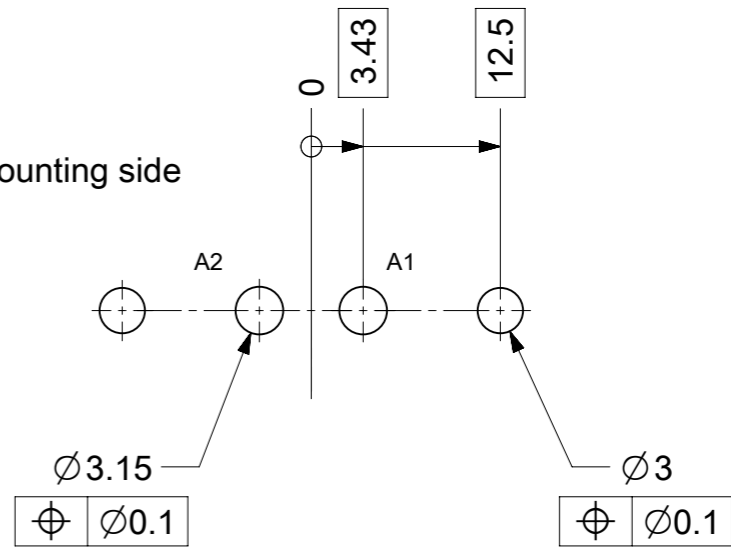


RoHS compliant  
by exemption



PCB hole pattern, mounting side



5	2	Snap-in bolt	PCB 1.6mm / Brass	tin plated
4	1	High power contact	FMP010S104	20A
3	1	High power contact	FMP010P104	20A
2	1	Shell	Steel	tin plated
1	1	Insulator	PBT (-55°C to +130°C) acc. UL94V-0	black
No.	Pc.	Part	Type Description/Material	Surface plating/ Color/Class

MEASUREMENTS WITHOUT TOLERANCE ACC TO ISO 2768-m REPLACEMENT FOR DOCUMENT NUMBER: F2W2SC-1410

FUNCTIONAL SYMBOLS	THIS DRAWING CONTAINS INFORMATION THAT IS PROPRIETARY TO MOLEX ELECTRONIC TECHNOLOGIES, LLC AND SHOULD NOT BE USED WITHOUT WRITTEN PERMISSION	CURRENT REV DESC:		<b>molex</b>					
	<table border="1"> <tr> <td>DIMENSION UNITS</td> <td>SCALE</td> </tr> <tr> <td>mm</td> <td>2:1</td> </tr> </table>	DIMENSION UNITS	SCALE		mm	2:1	EC NO: 727810		FCT D-SUB MIXED-LAYOUT CONNECTOR FCT PART NUMBER: F2W2SC-1410
	DIMENSION UNITS	SCALE							
	mm	2:1							
GENERAL TOLERANCES (UNLESS SPECIFIED)		DRWN: RAHULH3 2022/11/09							
<table border="1"> <tr> <td>ANGULAR TOL</td> <td>±</td> <td>'</td> </tr> <tr> <td>4 PLACES</td> <td>±</td> <td></td> </tr> </table>	ANGULAR TOL	±	'	4 PLACES	±		CHK'D: MTEUBEL 2022/11/09	PRODUCT CUSTOMER DRAWING	
ANGULAR TOL	±	'							
4 PLACES	±								
DIVISIONAL SYMBOLS	3 PLACES ±	APPR: MTEUBEL 2022/11/09	INITIAL REVISION:	DOCUMENT NUMBER	DOC TYPE	DOC PART	REVISION		
2 PLACES ±	1 PLACE ±	0 PLACES ±	DRWN: SKANDB 2022/05/04	1731071941	PSD	000	A1		
DRAFT WHERE APPLICABLE MUST REMAIN WITHIN DIMENSIONS		FIRST ANGLE PROJECTION	DRAWING	SERIES	MATERIAL NUMBER	CUSTOMER	SHEET NUMBER		
			A3-SIZE	173107	1731071941	GENERAL MARKET	1 OF 1		