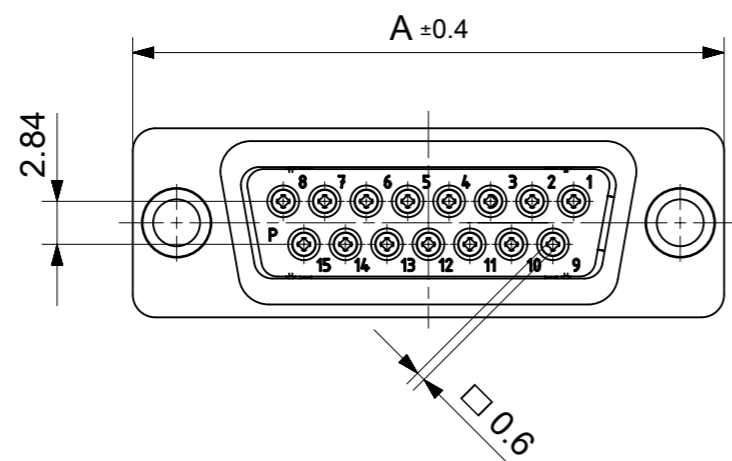
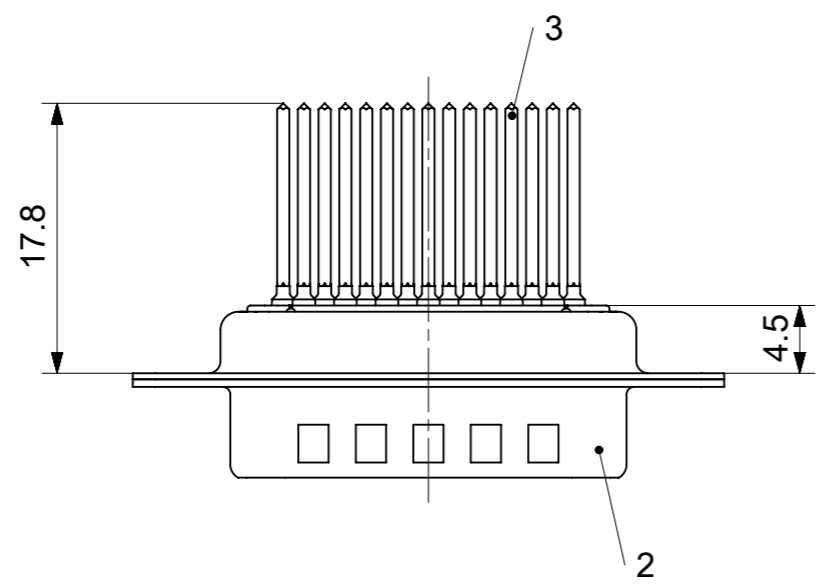
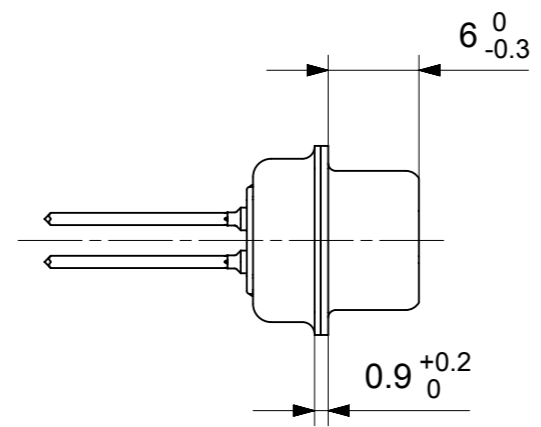
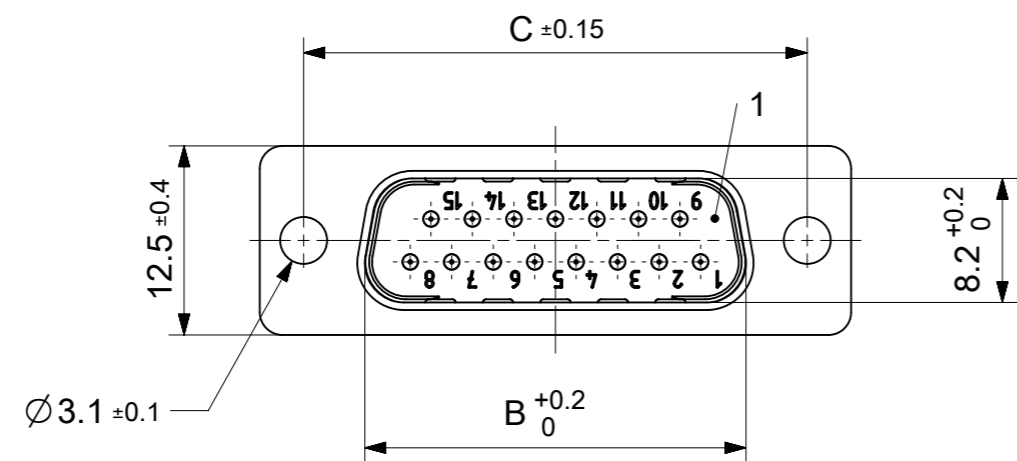


RoHS compliant
by exemption



FCT Part number:

Fxx*1)P4y*2)

e.g. F15P4G1

*1) xx No. of contacts 09, 15, 25 or 37

*2) y for performance classes 1, 2 or 3

(contact cycle for G1/G2/G3 = 500/200/50)

Material Number	xx*1)	y*2)	A[mm]	B[mm]	C[mm]
1731090881	09	G1	30.8	16.9	25
1731090882		G2			
1731091811	15	G2	39.1	25.2	33.3
1731090923	25	G2	53	38.9	47.04
1731090939	37	G2	69.3	55.3	63.5

3	xx	Signal contact	P4 / Brass	G1 / G2
2	1	Shell	Steel	tin plated
1	1	Insulator	PBT (-55°C to +125°C) acc. UL94V-0	white
No.	Pc.	Part	Type Description/Material	Surface plating/ Color/Class

MEASUREMENTS WITHOUT TOLERANCE ACC TO ISO 2768-m

REPLACEMENT FOR DOCUMENT NUMBER: FxxP4Gy

FUNCTIONAL SYMBOLS	DIMENSION UNITS	SCALE	CURRENT REV DESC:				
$\nabla_A = 0$	mm	2:1	<p>molex</p> <p>FCT D-SUB MINIATURE CONNECTOR</p> <p>PRODUCT CUSTOMER DRAWING</p>				
$\nabla_E = 0$	GENERAL TOLERANCES (UNLESS SPECIFIED)					EC NO: 712793	2021/12/23
$\nabla_P = 0$	ANGULAR TOL ± °					DRWN: SKANDB	2022/07/04
	4 PLACES ±					CHK'D: MTEUBEL	2022/07/04
DIVISIONAL SYMBOLS	3 PLACES ±		APPR: MTEUBEL	2022/07/04	DOCUMENT NUMBER		
	2 PLACES ±		INITIAL REVISION:		1731090881		
	1 PLACE ±		DRWN: SKANDB	2021/12/23	DOC TYPE		
	0 PLACES ±		APPR: MTEUBEL	2022/07/04	DOC PART		
DRAFT WHERE APPLICABLE MUST REMAIN WITHIN DIMENSIONS			FIRST ANGLE PROJECTION	DRAWING	REVISION		
				A3-SIZE	A		
			SERIES	MATERIAL NUMBER	CUSTOMER		
			173109	SEE TABLE	GENERAL MARKET		
					SHEET NUMBER		
					1 OF 1		