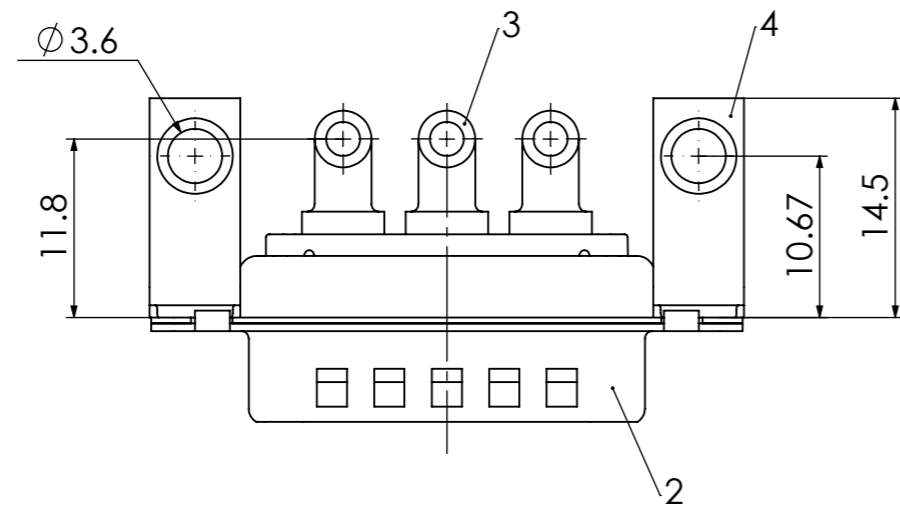
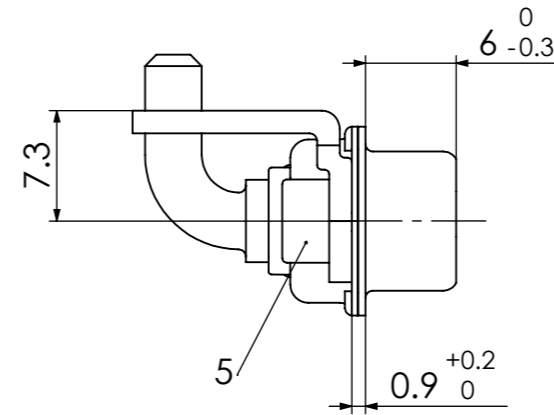
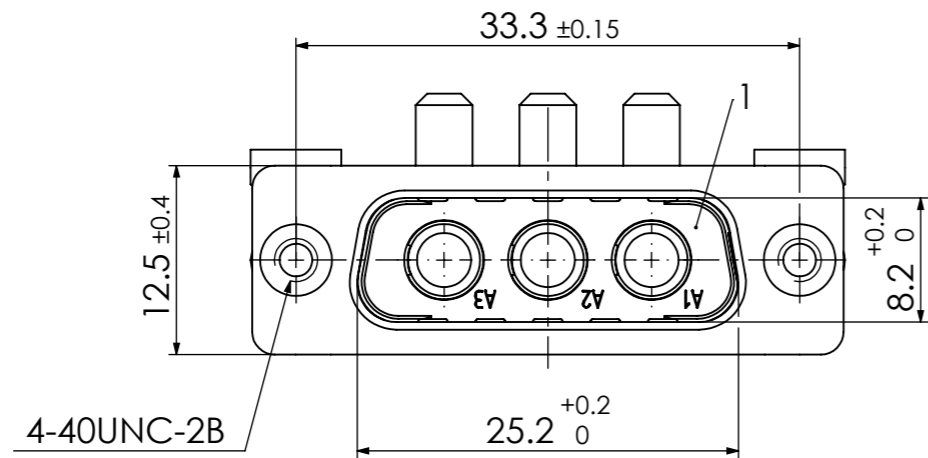
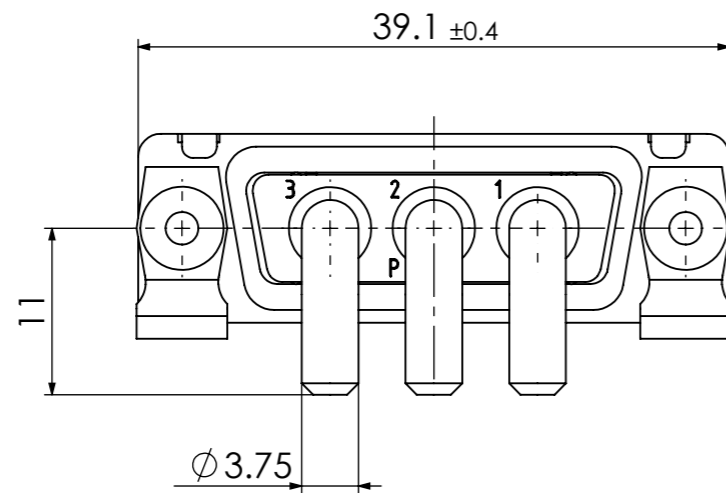
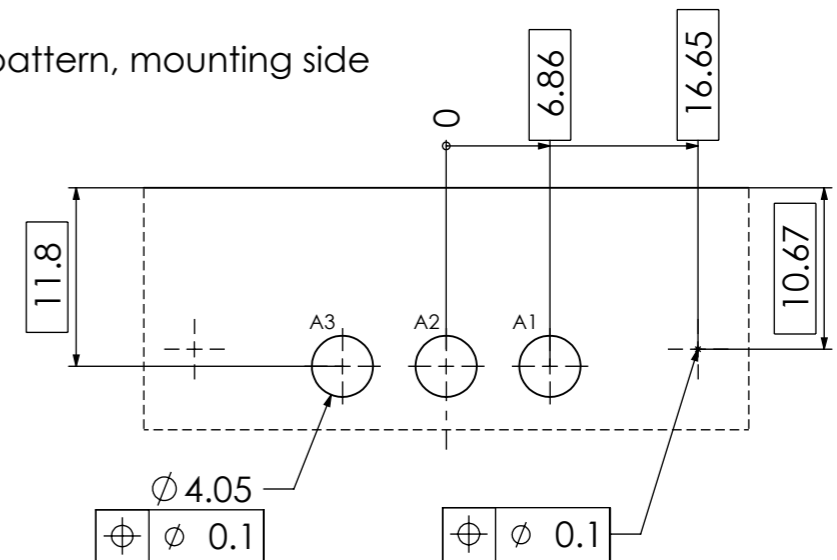


RoHS compliant
by exemption



PCB hole pattern, mounting side



No.	St.	Part	Type Description/Material	Surface plating/Colour/Class
5	2	Clinch nut	MW 4-40 / Steel	tin plated
4	2	Bracket	F1080-13B / Steel	tin plated
3	3	High power contact	FMP009P104R	40A
2	1	Shell	Steel	tin plated
1	1	Insulator	PBT (-55°C to +130°C) acc. UL94V-0	green

FUNCTIONAL SYMBOLS					THIS DRAWING CONTAINS INFORMATION THAT IS PROPRIETARY TO MOLEX ELECTRONIC TECHNOLOGIES, LLC AND SHOULD NOT BE USED WITHOUT WRITTEN PERMISSION				
▽ = 0	DIMENSION UNITS	SCALE	MEASUREMENTS WITHOUT TOLERANCE ACC. TO ISO 2768-m		molex				
▽ = 0	mm	2:1							
▽ = 0			CURRENT REVISION		FCT D-Sub Mixed-Layout Connector				
			DRWN: DRAWN BY mteubel 19-12-2023						
			APPR: APPR BY msteinbrueck 02-01-2024		PRODUCT CUSTOMER DRAWING				
			INITIAL REVISION						
	2	24410	DRWN: DRAWN BY ADenzinger 24-05-2012		MATERIAL NUMBER		REVISION		
	1		APPR: APPR BY sschref 24-05-2012		1731071310				
	REV.	CH.-NO.	REPLACEMENT FOR: 1731071310_Rev.A1		DOCUMENT NUMBER		SHEET NUMBER		
			FRIST ANGLE PROJECTION		FM3W3P-5091				
			DRAWING A3-SIZE		CUSTOMER GENERAL MARKET		1 OF 1		

COMMENT: ALL RIGHTS ARE RESERVED BY US FOR THIS DRAWING. WITHOUT OUR PRIOR CONSENT, IT MAY NEITHER BE DUPLICATED NOR MADE AVAILABLE TO A THIRD PARTY. AND IT ALSO MAY NOT BE IMPROPERLY USED BY THE RECEIVER, OR A THIRD PARTY.