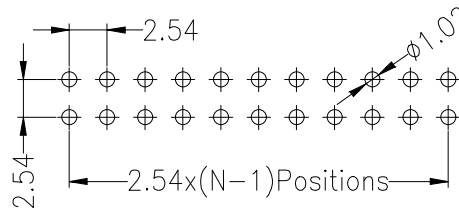


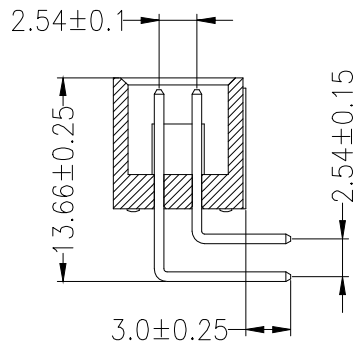
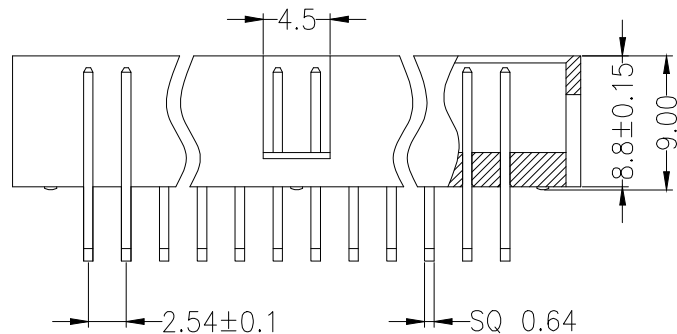
Recommended P.C.B Layout(Top Side)
(PCB BOARD TOLERANCE±0.05)



SPECIFICATIONS

Rated Current:3.0AMP
Contact Resistance:20mΩ Max
Withstand Voltage:1000V AC/DC
Insulation Resistance:1000MΩ Min
Operation Temperature:-40°C to +105°C

Contact Material:Brass
Contact Plating:Au or Sn Over Ni
Insulator Material:Polyester(UL94V-0)
Standard: PA6T
Max.Processing Temp: 230°C for 30-60 seconds
(260°C for 10 seconds)



Ordering Information

HC-JN 254 - * - N - Z - * - **

No. of Rows 1=Single Row 2=Dual Row	No. of Pins 6-64Pin	Type Z:直插 W:弯插 S:立插 P:排插	Length (mm)	Contact Plating G0:Gold Flash G1:1μ" Gold G2:3μ" Gold G3:5μ" Gold G4:10μ" Gold G5:15μ" Gold G6:30μ" Gold SQ:Gold Flash/Tin S1:Tin
---	------------------------	--------------------------------------	----------------	--

			GENERAL TOLERANCE		制图 DRAWING		深圳市华灿天禄电子有限公司 ShenzhenhuacantianluELECTRONICS CO.,LTD			
			DIM	TOL	审核 CHECK					
			X.X	±0.30	批准 APPROVAL		产品名称 TITLE	筒牛2.54 双排 排母 弯针	版本 REV.	A
1			初版发行		比例 SCALE		产品料号 PART NO.	HC-JN254-2-N-W-8.8-XX	单位 UNITS	mm
序号 No.	变更内容 MODIFY CONTENT	日期 MODIFY DATE	Angle	±3.0°	投影 Projection		材料 MATERIAL		页次 SHEET	1/1