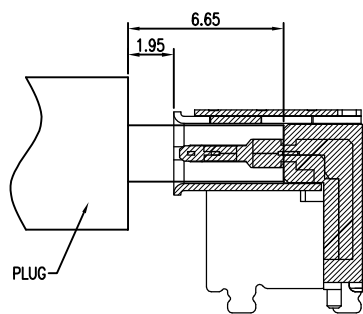
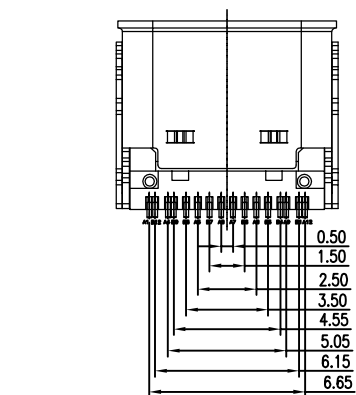


NOTE:

- 1.MATERIAL SPECIFICATION:
 - 1.HOUSING: LCP,UL94 V-0.
 - 2.CONTACTS: C2680,T=0.15mm
 - 3.MID PLATE: SUS301,T=0.15mm
 - 4.INSIDE SHELL: SUS304,T=0.30mm
 - 5.OUTSIDE SHELL: SUS304,T=0.25mm
- 2.PLATING SPECIFICATION:
 - 2-1.CONTACTS:
 - Ni 50u" MIN. UNDER PLATED OVER ALL.
 - Au PLATED ON THE FUNCTIONAL AREA OF CONTACT.
 - (GOLD PLATING THICKNESS FOLLOW THE P/N)
 - GOLD FLASH PLATING ON SOLDER AREA
 - 2-2.INSIDE SHELL OR OUTSIDE SHELL:
 - Ni 30u" MIN. UNDER PLATED OVER ALL.
- 3.MECHANICAL PERFORMANCE,
 - 3-1.INSERTION FORCE: 0.5~2.0kgf.
 - 3-2.REMOVAL FORCE: 0.8kgf~2.0kgf.
 - 3-3.DURABILITY: 10000 CYCLES.
- 4.ELECTRICAL PERFORMANCE,
 - 4-1. CURRENT RATING: 5A
VOLTAGE RATING: 20V
 - 4-2.INSULATION RESISTANCE: 100MΩ MIN
 - 4-3.DIELECTRIC WITHSTAND VOLTAGE,AC 100V FOR 1 MINUTE.
 - 4-4.LOW CONTACT RESISTANCE: INITIAL 40MΩ/ AFTER 50MΩ
5. ENVIRONMENTAL PERFORMANCE:
 - OPERATING TEMPERATURE: -30°C~+80°C.
- 6.IR REFLOW:
 - THE PEAK TEMPERATURE ON THE BOARD SHALL BE MAINTAINED FOR 10 SECONDS AT 260°C.



AFTER MATING
SCALE 1:1

16XN-4XS78

- 1:AU 1U
- 2:AU 3U
- 3:AU 15U
- 4:AU 30U
- B:Black
- P:Purple
- O:Orange
- Y:Yellow
- W:White

USB TYPE-C PIN ASSIGNMENTS

PIN NUMBER	SIGNAL NAME	PIN NUMBER	SIGNAL NAME
A1	GND	B12	GND
A4	VBUS	B9	VBUS
A5	CC1	B8	SBU2
A6	Dp1	B7	Dn2
A7	Dn1	B6	Dp2
A8	SBU1	B5	CC2
A9	VBUS	B4	VBUS
A12	GND	B1	GND

RECOMMEND P.C.B LAYOUT(COMPONENT SIDE)
TOLERANCE FOR PCB LAYOUT IS ± 0.05

ECN BO.		new		2015/5/3		A		瀚源	
DESIGNED		CHECKED		APPROVAL		DRAWING NUMBER			
Mikey		Tom		Jerry		PART NAME		16XN-4XS78	
						MODEL NAME		16XN-4XS78	
						3RD ANGLE PROJ		HanElectricity Co.,LTD	
						SCALE: 1/2		SCALE: 3:1	
						UNLESS OTHERWISE SPECIFIED,TOLERANCE:		X. ±0.2 X.x ±0.2 X.xx ±0.15 ANGULAIR ±3	
						FILE.NO.			