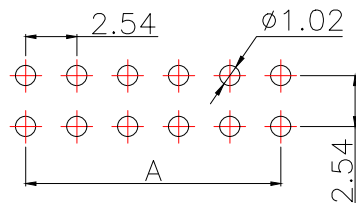
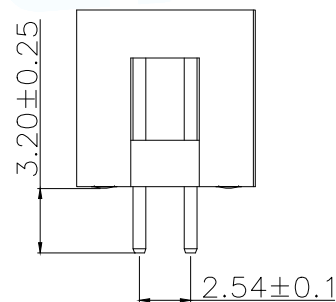
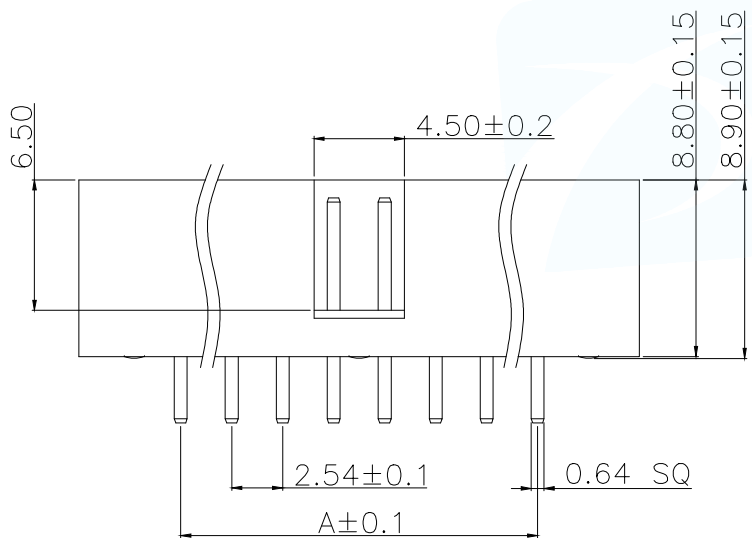


SPECIFICATIONS

Current Rating: 3Amps  
 Insulation Resistance: 1000MΩ Min  
 Contact Resistance: 20mΩ Max  
 Withstanding Voltage: AC 1000V  
 Operation Temperature: -40°to+105°  
 Contact Material: Brass  
 Insulator Material: Polyester(UL 94V-0)  
 Contact plating: Gold Flash  
 Standard: PA6T  
 Max.Processing Temp: 240°C for30-60seconds (260°Cfor10seconds)

P/N	PIN	DIM.A	DIM.B
IDC2.54-01-06PZS	6	5.08	7.62
IDC2.54-01-08PZS	8	7.62	10.16
IDC2.54-01-10PZS	10	10.16	12.70
IDC2.54-01-12PZS	12	12.70	15.24
IDC2.54-01-14PZS	14	15.24	17.78
IDC2.54-01-16PZS	16	17.78	20.32
IDC2.54-01-18PZS	18	20.32	22.86
IDC2.54-01-20PZS	20	22.86	25.40
IDC2.54-01-24PZS	24	27.94	30.48
IDC2.54-01-26PZS	26	30.48	33.02
IDC2.54-01-28PZS	28	33.02	35.56
IDC2.54-01-30PZS	30	35.56	38.10
IDC2.54-01-32PZS	32	38.10	40.64
IDC2.54-01-34PZS	34	40.64	43.18
IDC2.54-01-36PZS	36	43.18	45.72
IDC2.54-01-40PZS	40	48.26	50.80
IDC2.54-01-44PZS	44	53.34	55.88
IDC2.54-01-50PZS	50	60.96	63.50
IDC2.54-01-60PZS	60	73.66	76.20
IDC2.54-01-64PZS	64	78.74	81.28



RECOMMEND P.C.B LAYOUT  
 PCB TOLERANCE:±0.05 (TOP VIEW)

PART NUMBER DESCRIPTION:

IDC2.54-01-NPZS

(D=单排;S=双排)  
 (Z=直脚;W=弯脚)  
 (PIN数量;06.....64PIN)  
 (排针开关)

MANUFACTURE DWG		东莞市讯普电子科技有限公司 DongGuan XunPu Electronics Co.,Ltd	
UNLESS OTHERWISE SPECIFIED TOLERANCES			TITLE:2.54DC3-NPin H8.9 180度 PC3.2 L11.5 6T
DECIMALS:	ANGLES:		PAR IDC2.54-01-NPZS
X.±0.30	X°±5'		DWN
X.X±0.20	X.X°±1'		CHKD
X.XX±0.10	X.XX°±0.5'	APVD	SCALE N:A UNIT:MM
CUSTOMER COPY		SIZE:A4	UNIT:MM
		SHEET:1F1	REV:A