

PTN36241B

SuperSpeed USB 3.0 redriver

Rev. 4 — 22 May 2014

Product data sheet

1. General description

PTN36241B is a SuperSpeed USB 3.0 redriver IC that enhances signal quality by performing receive equalization on the deteriorated input signal followed by transmit de-emphasis maximizing system link performance. With its superior differential signal conditioning and enhancement capability, the device delivers significant flexibility and performance scaling for various systems with different PCB trace and cable channel conditions and still benefit from optimum power consumption.

PTN36241B is a dual-channel device that supports data signaling rate of 5 Gbit/s through each channel. PTN36241B has two channels: one channel is facing the USB host, and another channel is facing the USB peripheral or device. Each channel consists of a high-speed Transmit (Tx) differential lane and a high-speed Receive (Rx) differential lane.

PTN36241B has independent 5-level configuration pins for each channel to select receive equalization, transmit de-emphasis and output swing and these pins can be easily configured by board-strapping (for example, short, open, resistor). To support applications that require greater level of configurability, PTN36241B delivers intelligent multiplexing of I²C-bus interface onto 5-level configuration pins. By default, the device is configured with the board-strapped levels of configuration pins. When I²C-bus reads/writes are performed over these multiplexed pins, the device decodes I²C transactions and configures its internal functions appropriately.

PTN36241B has built-in advanced power management capability that enables significant power savings under various different USB 3.0 Low-power modes (U2/U3). It can detect LFPS signaling and link electrical conditions and can dynamically activate/de-activate internal circuitry and logic. The device performs these actions without host software intervention and conserves power.

PTN36241B goes through the compliance testing controlled by the internal state machine. No compliance pin is required.

PTN36241B is powered from 3.3 V supply and is available in HVQFN24 4 mm × 4 mm package with 0.5 mm pitch.

2. Features and benefits

2.1 High-speed channel processing

- Supports USB 3.0 specification (SuperSpeed only)
- Support of 2 channels
- Selectable receive equalization on each channel to recover from InterSymbol Interference (ISI) and high-frequency losses, with provision to choose from five Equalization gain settings per channel



- Selectable transmit de-emphasis and output swing on each channel delivers pre-compensation suited to channel conditions
- Supports pin and I²C-bus programmable Input Signal Threshold setting to work reliably under different noise environments accommodating sensitivity needs
- Integrated termination resistors provide impedance matching on both transmit and receive sides
- Programmable termination resistor for receiver side
- Automatic receiver termination indication and detection
- Low active power: 330 mW/100 mA (typical), V_{DD} = 3.3 V
- Power-saving states:
 - ◆ 53 mW/16 mA (typical) when in U2/U3 states
 - ◆ 20 mW/6 mA (typical) when no connection detected
- Excellent differential and common return loss performance
 - ◆ 14 dB differential and 15 dB common-mode return loss for 10 MHz to 1250 MHz
- Flow-through pinout to ease PCB layout and minimize crosstalk effects
- Hot Plug capable
- Supports EasyCom that goes through the compliance testing controlled by the internal state machine
- Power supply: V_{DD} = 3.3 V ± 10 %
- HVQFN24 4 mm × 4 mm package, 0.5 mm pitch; exposed center pad for thermal relief and electrical ground
- ESD: 5 kV HBM, 1250 V CDM
- Operating temperature range 0 °C to 85 °C

2.2 Enhancements

- Intelligent I²C-bus multiplexing and 5-level logic configuration options (with patent-pending quinary pins) delivering ultimate flexibility
- I²C-bus interface:
 - ◆ Standard-mode (100 kbit/s) or Fast-mode (400 kbit/s)
 - ◆ 3.3 V tolerant

3. Applications

- Notebook/netbook/nettop platforms
- Docking stations
- Desktop and AIO platforms
- Active cables
- Server and storage platforms
- USB 3.0 peripherals like consumer/storage devices, printers or USB 3.0 capable hubs/repeaters

4. System context diagrams

Figure 1 illustrates PTN36241B usage.

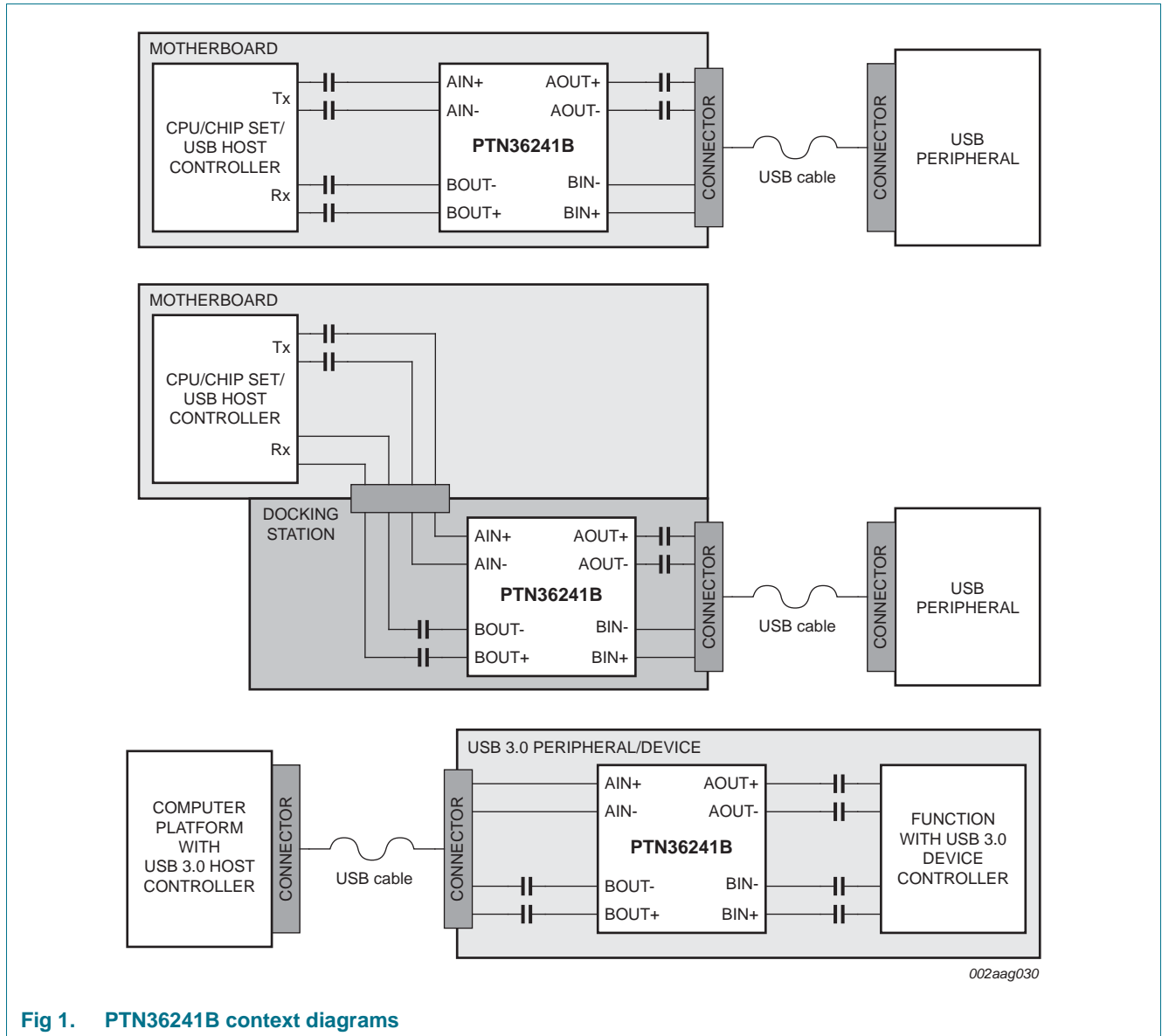


Fig 1. PTN36241B context diagrams

5. Ordering information

Table 1. Ordering information

Type number	Topside marking	Package		Version
		Name	Description	
PTN36241BBS	241B	HVQFN24	plastic thermal enhanced very thin quad flat package; no leads; 24 terminals; body 4 × 4 × 0.85 mm ^[1]	SOT616-3

[1] Maximum package height is 1 mm.

5.1 Ordering options

Table 2. Ordering options

Type number	Orderable part number	Package	Packing method ^[1]	Minimum order quantity	Temperature
PTN36241BBS	PTN36241BBS,115	HVQFN24	Reel 7" Q1/T1 *Standard mark SMD	1500	T _{amb} = 0 °C to 85 °C
	PTN36241BBS,118	HVQFN24	Reel 13" Q1/T1 *Standard mark SMD	6000	T _{amb} = 0 °C to 85 °C
	PTN36241BBS,128	HVQFN24	Reel 13" Q2/T3 *Standard mark SMD	6000	T _{amb} = 0 °C to 85 °C

[1] Refer to [Figure 13 "Product orientation in carrier tape"](#) for pin 1 location.

6. Block diagram

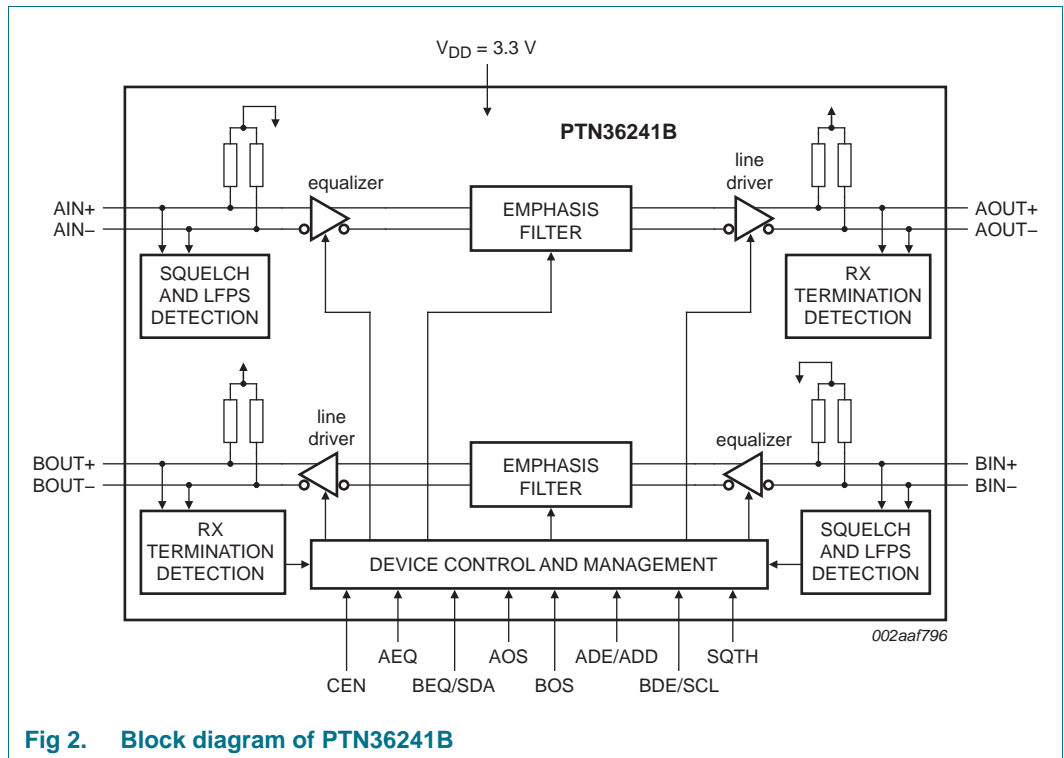
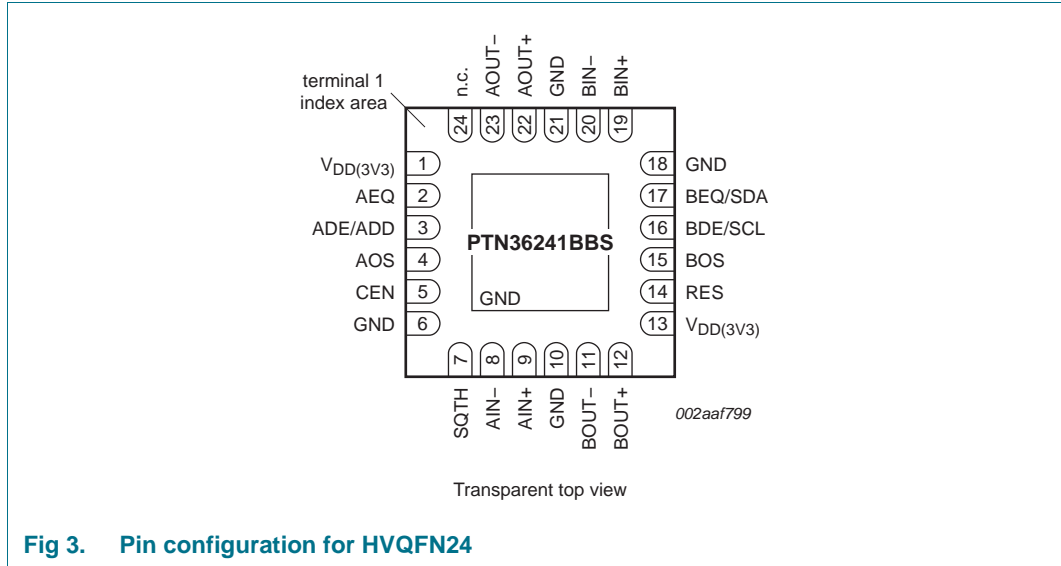


Fig 2. Block diagram of PTN36241B

7. Pinning information

7.1 Pinning



7.2 Pin description

Table 3. Pin description

Symbol	Pin	Type	Description
High-speed differential signals			
AIN+	9	self-biasing differential input	Differential signal from SuperSpeed USB 3.0 transmitter. AIN+ makes a differential pair with AIN-. The input to this pin must be AC-coupled externally.
AIN-	8	self-biasing differential input	Differential signal from SuperSpeed USB 3.0 transmitter. AIN- makes a differential pair with AIN+. The input to this pin must be AC-coupled externally.
BOUT+	12	self-biasing differential output	Differential signal to SuperSpeed USB 3.0 receiver. BOUT+ makes a differential pair with BOUT-. The output of this pin must be AC-coupled externally.
BOUT-	11	self-biasing differential output	Differential signal to SuperSpeed USB 3.0 receiver. BOUT- makes a differential pair with BOUT+. The output of this pin must be AC-coupled externally.
AOUT+	22	self-biasing differential output	Differential signal to SuperSpeed USB 3.0 receiver. AOUT+ makes a differential pair with AOUT-. The output of this pin must be AC-coupled externally.
AOUT-	23	self-biasing differential output	Differential signal to SuperSpeed USB 3.0 receiver. AOUT- makes a differential pair with AOUT+. The output of this pin must be AC-coupled externally.

Table 3. Pin description ...continued

Symbol	Pin	Type	Description
BIN+	19	self-biasing differential input	Differential signal from SuperSpeed USB 3.0 transmitter. BIN+ makes a differential pair with BIN-. The input to this pin must be AC-coupled externally.
BIN-	20	self-biasing differential input	Differential signal from SuperSpeed USB 3.0 transmitter. BIN- makes a differential pair with BIN+. The input to this pin must be AC-coupled externally.
Configuration and control signals			
CEN	5	CMOS input	Chip enable input (active HIGH); internally pulled-up. If CEN is LOW, then the device is in Deep power-saving state even if supply rail is ON; for the device to be able to operate, the CEN pin must be HIGH.
RES	14	CMOS input	Reserved. Tie this pin to ground for normal operation.
AOS	4	input	5-level configuration pin for channel A Tx output swing setting.
BOS	15	input	5-level configuration pin for channel B Tx output swing setting.
AEQ	2	input	5-level configuration pin for channel A Rx equalization gain setting.
BEQ/SDA	17	input/output	5-level configuration pin for channel B Rx equalization gain setting or I ² C-bus data pin.
ADE/ADD	3	input	5-level configuration pin for channel A Tx de-emphasis setting or in I ² C mode, this ADD pin enables selection of 1 out of 4 I ² C-bus device addresses.
BDE/SCL	16	input/output	5-level configuration pin for channel B Tx de-emphasis setting or I ² C-bus clock pin
SQTH	7	input	5-level configuration pin for Channels A and B minimum input signal threshold setting.
n.c.	24	-	not connected
Power supply			
V _{DD(3V3)}	1, 13	power	3.3 V supply.
Ground connection			
GND	6, 10, 18, 21	power	Ground.
GND	center pad	power	The center pad must be connected to GND plane for both electrical grounding and thermal relief.

8. Functional description

Refer to [Figure 2 “Block diagram of PTN36241B”](#).

PTN36241B is a SuperSpeed USB 3.0 redriver meant to be used for signal integrity enhancement on various platforms – notebooks, docking, desktop, AIO, peripheral devices etc. With its high fidelity differential signal conditioning capability and wide configurability, this chip is flexible and versatile enough for use under various system environments.

The following sections describe the individual block functions and capabilities of the device in more detail.

8.1 Receive equalization

On the high-speed signal path, the device performs receive equalization providing frequency selective gain based on the configuration pin AEQ (BEQ) setting. [Table 4](#) lists the configuration options available in this device.

Table 4. AEQ (BEQ) configuration options

5-level control input setting AEQ (BEQ)	SuperSpeed USB 3.0 signal equalization gain at 2.5 GHz
open	4.5 dB
short to GND	7.5 dB
short to $V_{DD(3V3)}$	9 dB
pull-down resistor to GND ^[1]	6 dB
pull-up resistor to $V_{DD(3V3)}$ ^[1]	15 dB

[1] The value of these pull-up and pull-down resistors is 75 k Ω .

Refer also to [Section 8.4](#) for I²C-bus interface based configuration options for Rx equalization of channels A and B.

8.2 Transmit de-emphasis and output swing

The PTN36241B device enhances signal content further by performing de-emphasis on the high-speed signals. In addition, the device can provide flat frequency gain by boosting output signal. Both flat and frequency selective gains prepare the system to cover up for losses further down the link. [Table 5](#) lists de-emphasis and [Table 6](#) lists output swing configuration options of PTN36241B.

Table 5. PTN36241B ADE (BDE) configuration options

5-level control input setting ADE (BDE)	SuperSpeed USB 3.0 signal de-emphasis gain
open	–3.5 dB
short to GND	–6.0 dB
short to $V_{DD(3V3)}$	–9.5 dB
pull-down resistor to GND ^[1]	0 dB
pull-up resistor to $V_{DD(3V3)}$ ^[1]	–6.0 dB

[1] The value of these pull-up and pull-down resistors is 75 k Ω .

Table 6. PTN36241B AOS (BOS) configuration options

5-level control input setting AOS (BOS)	SuperSpeed USB 3.0 transmit differential output swing (peak-to-peak)
open	1000 mV
short to GND	850 mV
short to $V_{DD(3V3)}$	1100 mV
pull-down resistor to GND ^[1]	400 mV
pull-up resistor to $V_{DD(3V3)}$ ^[1]	600 mV

[1] The value of these pull-up and pull-down resistors is 75 kΩ.

Figure 4 illustrates de-emphasis as a function of time for different settings.

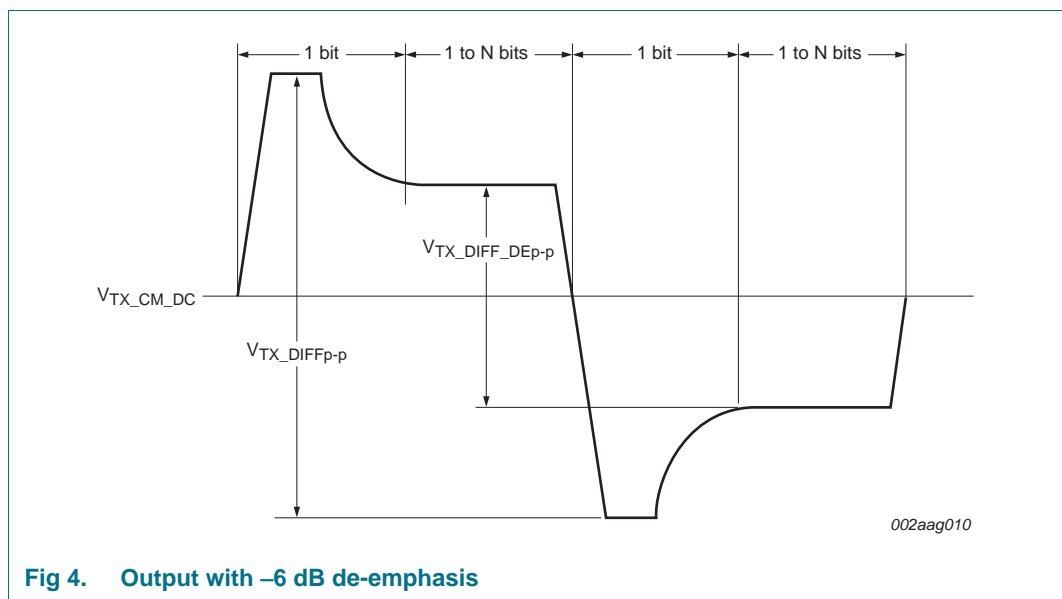


Fig 4. Output with -6 dB de-emphasis

Please refer also to Section 8.4 for I²C-bus interface based configuration options for de-emphasis and output swing of Channels A and B.

8.3 Input signal threshold

To support various platforms that have different noise levels and still maintain sensitivity, PTN36241B provides configuration option to set input signal threshold. When the signal level falls below the threshold, the outputs are squelched and when signal is above the threshold, redriving function is activated. Table 7 lists the possible input signal threshold configuration options available with this device.

Table 7. SQTH configuration options

5-level control input setting	Channel A input threshold (peak-to-peak)	Channel B input threshold (peak-to-peak)
short to GND	100 mV	100 mV
short to $V_{DD(3V3)}$	125 mV	125 mV
open	75 mV	75 mV
pull-down resistor to GND ^[1]	150 mV	150 mV
pull-up resistor to $V_{DD(3V3)}$ ^[1]	175 mV	175 mV

[1] The value of these pull-up and pull-down resistors is 75 kΩ.

Please refer also to [Section 8.4](#) for I²C-bus interface based configuration options.

8.4 I²C-bus programmability

PTN36241B has I²C-bus interface that enables system integrator to program register settings suitable for the application needs. [Table 8](#) describes possible settings for different functions of the device. Although the device can be pin configured through board-strapping, it also allows the system integrator to override the settings by programming the internal registers through I²C.

After power-on, the device samples the board-strapped pin values (as I²C is not operational yet) but does not reflect these directly in the register (default) values. So in applications using I²C-bus interface, the system integrator must program the internal registers of the device for proper operation. Further, it is expected that the system integrator performs I²C configuration after power-on and not during normal operation. If such an operation is attempted during normal operation, the device may not behave as specified.

Table 8. I²C-bus registers and description

Values indicated are typical only.

Register offset	Register name	Bit	Reset value	Description
00	A_Tx_Control	7:5	100b	Channel A de-emphasis level. If 0 to 3, set channel A de-emphasis as follows: 0 — set de-emphasis to 0 dB 1 — set de-emphasis to -3.5 dB 2 — set de-emphasis to -6 dB 3 — set de-emphasis to -9.5 dB If 4 to 7, ADE pin controls channel A de-emphasis level.
		4:0	00000b	Channel A output voltage swing. At Power-On Reset (POR), these bits are set to 0 and AOS quinary pin sets voltage swing. Use these bits to select one of the 24 output levels. If 1 to 24, the channel A output swing is 50 mV times the value of the register. If 0, AOS pin controls channel A Tx output swing level.
01	A_signal_det	7:4	0x8	Controls the channel A squelch level (differential peak-to-peak value). 0000b — 75 mV 0001b — 100 mV 0010b — 125 mV 0011b — 150 mV 0100b — 175 mV 0101b — 200 mV 0110b — 225 mV 0111b — 250 mV 1000b to 1111b — use the value selected by SQTH pin
		3:0	0	Reserved; must be 0.

Table 8. I²C-bus registers and description ...continued*Values indicated are typical only.*

Register offset	Register name	Bit	Reset value	Description
02	A_Rx_termination	7:0	0x8D	Adjusts the A channel receive termination. 0x7C for 40 Ω receive termination 0x8D for 45 Ω receive termination 0xA0 for 50 Ω receive termination
03	A_Equalizer	7:5	0	Reserved; must be 0.
		4:0	0x18	Channel A Rx equalization gain. If 0x18, equalizer setting is controlled by the AEQ quinary pin. 0000b — 0 dB 00001b — 1.5 dB 00010b — 3.0 dB 00011b — 4.5 dB 00100b — 6.0 dB 00101b — 7.5 dB 00110b — 9.0 dB 00111b — 10.5 dB 01111b — 12.0 dB 10111b — 13.5 dB 11111b — 15.0 dB 11000b — AEQ quinary pin sets channel A equalization.
04	B_Tx_control	7:5	100b	Channel B de-emphasis level. If 0 to 3, set channel B de-emphasis as follows: 0 — set de-emphasis to 0 dB 1 — set de-emphasis to -3.5 dB 2 — set de-emphasis to -6 dB 3 — set de-emphasis to -9.5 dB If 4 to 7, BDE pin controls channel B de-emphasis level.
		4:0	00000b	Channel B output voltage swing. At Power-On Reset (POR), these bits are set to 0 and BOS quinary pin sets voltage swing. Use these bits to select one of the 24 output levels. If 1 to 24, the channel B output swing is 50 mV times the value of the register. If 0, the BOS pin controls channel B Tx output swing level.

Table 8. I²C-bus registers and description ...continued
Values indicated are typical only.

Register offset	Register name	Bit	Reset value	Description
05	B_signal_det	7:4	0x8	Controls the channel B squelch level (differential peak-to-peak value). 0000b — 75 mV 0001b — 100 mV 0010b — 125 mV 0011b — 150 mV 0100b — 175 mV 0101b — 200 mV 0110b — 225 mV 0111b — 250 mV 1000b to 1111b — use the value selected by SQTH pin
		3:0	0	Reserved; must be 0.
06	B_Rx_termination	7:0	0x8D	Adjusts the B channel receive termination. 0x7C for 40 Ω receive termination 0x8D for 45 Ω receive termination 0xAD for 50 Ω receive termination
07	B_equalizer	7:5	001b	Reserved; must be 001b.
		4:0	0x18	Channel B Rx equalization gain. If 0x18, equalizer setting is controlled by the BEQ quinary pin. 00000b — 0 dB 00001b — 1.5 dB 00010b — 3.0 dB 00011b — 4.5 dB 00100b — 6.0 dB 00101b — 7.5 dB 00110b — 9.0 dB 00111b — 10.5 dB 01111b — 12.0 dB 10111b — 13.5 dB 11111b — 15.0 dB 11000b — BEQ quinary pin sets channel B equalization.
40	I2C_access_enable		0	At POR, this is the only I ² C-bus register enabled for reading and writing. Set this register to 0xAE to unlock I ² C registers.
44	reset			Writing a 1 to this register resets the part. This is a self-clearing bit.

8.4.1 I²C-bus read and write operations

PTN36241B supports programming of the internal registers through the I²C-bus interface. Reading/writing the internal registers must be done according to the following protocol.

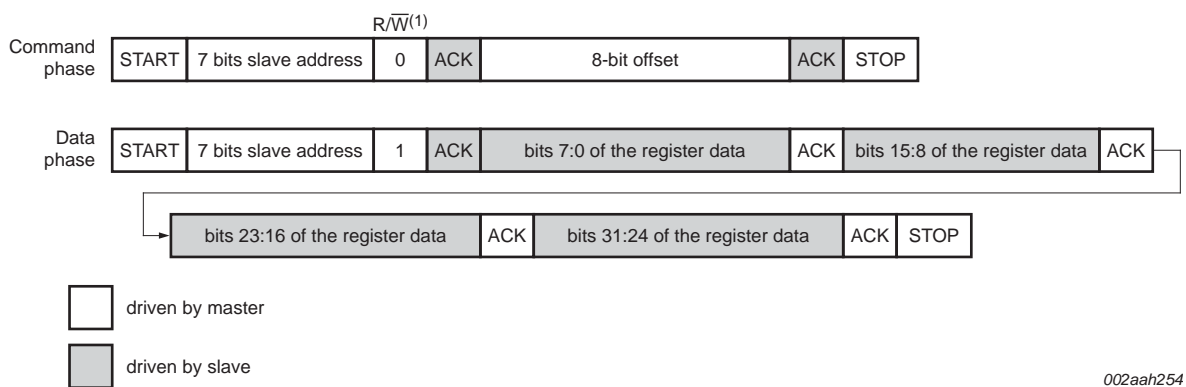
The read protocol contains two phases:

- Command phase
- Data phase

The command phase is an I²C write to PTN36241B that contains a single data byte indicating the internal register address to read out. The data phase is an I²C read operation that contains 4 bytes of data, starting from the least significant byte.

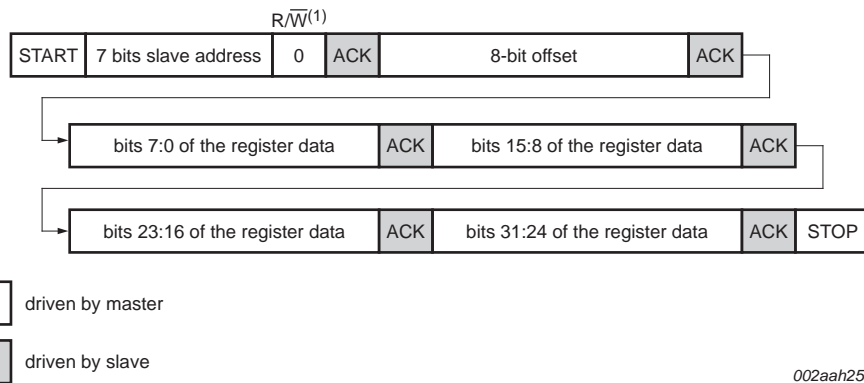
The I²C write operation contains only the command phase, which contains 8-bit internal register address, followed by 4 bytes of data to be written to the register, starting from the least significant byte.

PTN36241B is able to handle both single-byte and 4-byte write/read commands. 4-byte read/write commands are address aligned with 2 LSBs as '0'. [Figure 5](#) illustrates the protocol used on the I²C-bus to read and write registers inside the device.



(1) R/W = read/write bit. 0b = I²C write; 1b = I²C read.

a. Read sequence



(1) R/W = read/write bit. 0b = I²C write; 1b = I²C read.

b. Write sequence

Fig 5. I²C-bus read and write sequences

[Table 9](#) shows how the PTN36241B device addresses can be selected by using ADD (I²C-bus device address) pin.

Table 9. Device address selection

ADD pin	7-bit I ² C-bus device address
short to GND	0010 010b
short to V _{DD(3V3)}	0010 010b
pull-down resistor to GND ^[1]	0010 110b
pull-up resistor to V _{DD(3V3)} ^[1]	0011 110b
open	0011 010b

[1] The value of these pull-up and pull-down resistors is 75 kΩ.

PTN36241B has built-in I²C access lock mechanism that helps avoid inadvertent writes/reads into the device. After power-up, only register offset 0x40 can be written by the host controller. So before accessing any register (register offset 0x00 to 0x07, 0x41), the host controller is expected to write 0xAE at address 0x40. This would open the I²C lock enabling the host controller to configure the device registers suitably as required for the application.

8.5 Device control — mode, enable, power-on initialization

PTN36241B has a built-in reset circuitry that generates reset signal after power-on. All the internal registers and state machines are initialized and the registers take default values as defined in [Table 8](#).

The CEN enable pin can be toggled asynchronously any time after power-on and the device can be put in Active or Deep power-saving state.

- When CEN is HIGH, the device is in Active state and when it is LOW, device is in Deep power-saving state.
- The values of the configuration pins (AEQ, ADE, BEQ, BDE, AOS, BOS, SQTH) are sampled on power-on and whenever CEN is toggled asynchronously any time afterwards.
- When CEN is toggled LOW to HIGH, the device undergoes an equivalent of power-on reset operation. All registers/state machines are put to power-on condition.

The normal functioning of the redriver is not guaranteed when the configuration and/or control pins are being changed. The typical device usage is to set these control and configuration pins to pre-determined levels at power-on and not to change thereafter.

8.6 Device states and power management

PTN36241B has implemented an advanced power management scheme that operates in tune with USB 3.0 bus electrical condition. Although the device does not decode USB power management commands (related to USB 3.0 U1/U2/U3 transitions) exchanged between USB 3.0 host and peripheral/device, it relies on bus electrical conditions and control pins/register settings to decide to be in one of the following states:

- **Active state** wherein device is fully operational, USB data is transported on channels A and B. In this state, USB connection exists and the Receive Termination indication remains active. But there is no need for Receive Termination detection.
- **Power-saving state** wherein the channels A and B are kept enabled. In this state, squelching, LFPS detection and/or Receive termination detection circuitry are active. Based on USB connection, there are 2 possibilities:
 - No USB connection:
Receive Termination detection circuitry keeps polling periodically.
Receive Termination indication is not active.
 - When USB connection exists, and when the link is in USB 3.0 U2/U3 mode:
Receive Termination detection circuitry keeps polling periodically.
Receive Termination indication is active.
- **Deep power-saving or Shutdown state** wherein the channel is in Deep power-saving/Shutdown condition enabling significant power saving.
 - DC common-mode voltage level is not maintained.
 - Tx and Rx terminations are put to high-impedance condition.
 - Transitioning to Active state would take several tens of microseconds.

Receive termination detection circuitry is implemented as part of a transmitter and detect whether a load device with equivalent DC impedance Z_{RX_DC} is present.

9. Limiting values

Table 10. Limiting values

In accordance with the Absolute Maximum Rating System (IEC 60134).

Symbol	Parameter	Conditions	Min	Max	Unit
$V_{DD(3V3)}$	supply voltage (3.3 V)		[1] -0.3	+4.6	V
V_I	input voltage		[1] -0.3	$V_{DD(3V3)} + 0.5$	V
T_{stg}	storage temperature		-65	+150	°C
V_{ESD}	electrostatic discharge voltage	HBM	[2] -	5000	V
		CDM	[3] -	1250	V

[1] All voltage values (except differential voltages) are with respect to network ground terminal.

[2] Human Body Model; ANSI/EOS/ESD-S5.1-1994, standard for ESD sensitivity testing, Human Body Model - Component level; Electrostatic Discharge Association, Rome, NY, USA.

[3] Charged Device Model; ANSI/EOS/ESD-S5.3-1-1999, standard for ESD sensitivity testing, Charged Device Model - Component level; Electrostatic Discharge Association, Rome, NY, USA.

10. Recommended operating conditions

Table 11. Operating conditions

Symbol	Parameter	Conditions	Min	Typ	Max	Unit
V_{DD}	supply voltage	3.3 V supply option	3.0	3.3	3.6	V
V_I	input voltage	open-drain I/O with respect to ground (e.g., SCL, SDA)	-	$V_{DD(3V3)}$	-	V
		control and configuration pins (e.g., AEQ, BEQ, ADE, BDE, AOS, BOS, SQTH)	-	$V_{DD(3V3)}$	-	V
T_{amb}	ambient temperature	operating in free air	0	-	85	°C

11. Characteristics

11.1 Device characteristics

Table 12. Device characteristics

Symbol	Parameter	Conditions	Min	Typ	Max	Unit
$t_{startup}$	start-up time	supply voltage within operating range to specified operating characteristics	-	-	20	ms
$t_{s(LH)}$	LOW to HIGH settling time	disable to enable; CEN LOW → HIGH change to specified operating characteristics; device is supplied with valid supply voltage	-	-	1	ms
$t_{s(HL)}$	HIGH to LOW settling time	enable to disable; CEN HIGH → LOW change to specified operating characteristics; device is supplied with valid supply voltage	-	-	1	ms
t_{rcfg}	reconfiguration time	any quinary configuration pin change (AEQ, BEQ, ADE, BDE, AOS, BOS, SQTH - from one setting to another setting) to specified operating characteristics; device is supplied with valid supply voltage; reconfiguration can be triggered by CEN toggle	-	-	100	μs
$t_{PD(dif)}$	differential propagation delay	between 50 % level at input and output; see Figure 6	-	-	1	ns
t_{idle}	idle time	default wait time to wait before getting into U2/U3 Power-saving states	-	300	-	ms
$t_{d(pwrsave-act)}$	delay time from power-save to active	time for exiting from Power-saving state and get into Active state; see Figure 8	-	10	-	μs
$t_{d(act-idle)}$	delay time from active to idle	reaction time for squelch detection circuit; see Figure 7	-	-	54	ns
$t_{d(idle-act)}$	delay time from idle to active	reaction time for squelch detection circuit; see Figure 7	-	4	6	ns
I_{DD}	supply current	Active state; Rx equalization = 15 dB; Tx output signal swing = 400 mV (differential peak-to-peak value); Tx de-emphasis = 0 dB	-	100	-	mA
		U2/U3 Power-saving state	-	16	-	mA
		no USB connection state	-	6	-	mA
		Deep power-saving state; CEN = LOW	-	-	3.5	mA

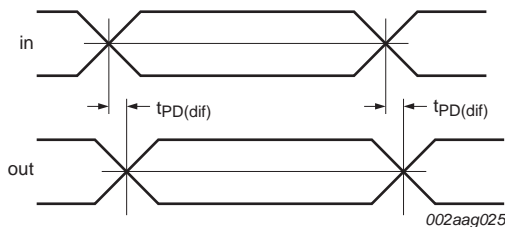


Fig 6. Propagation delay

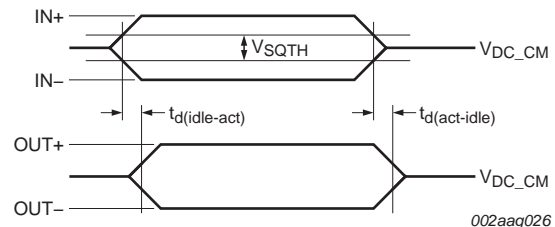


Fig 7. Electrical idle transitions in U0/U1 modes

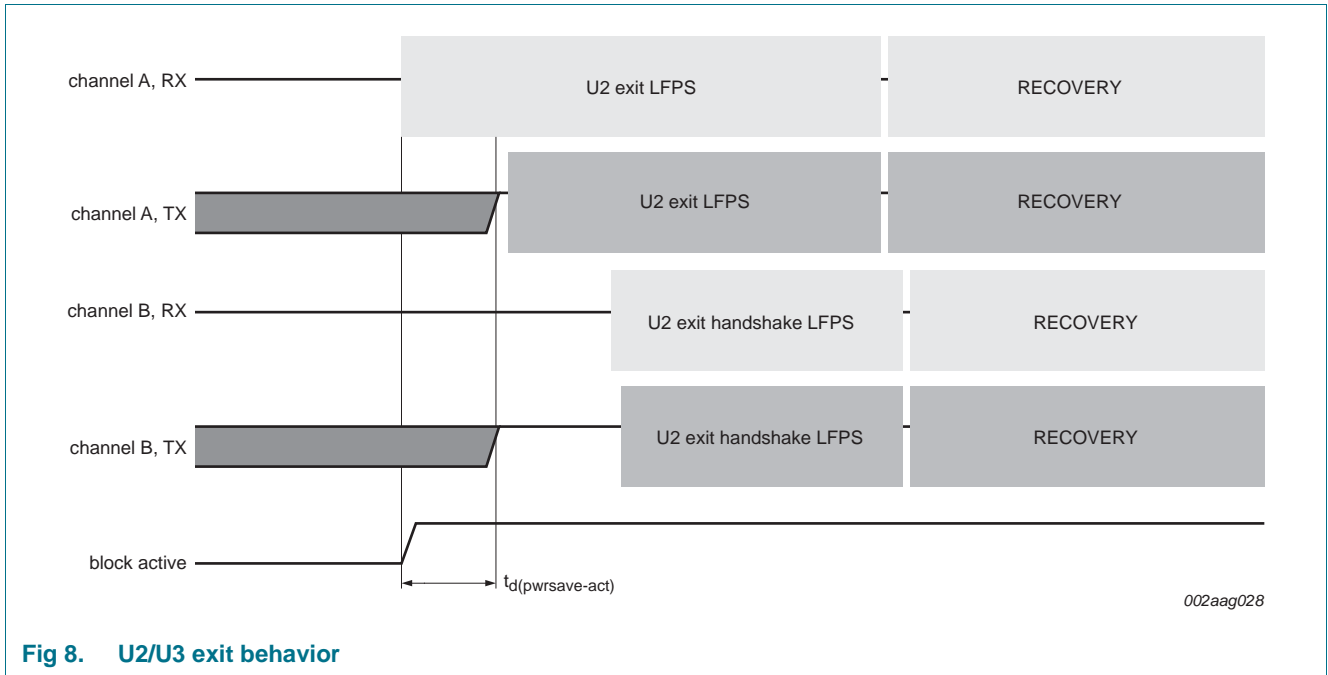


Fig 8. U2/U3 exit behavior

11.2 Receiver AC/DC characteristics

Table 13. Receiver AC/DC characteristics

Symbol	Parameter	Conditions	Min	Typ	Max	Unit
Z_{RX_DC}	receiver DC common-mode impedance		20	-	28	Ω
$Z_{RX_DIFF_DC}$	DC differential impedance	RX pair	72	-	120	Ω
Z_{IH}	HIGH-level input impedance	DC input	25	-	-	$k\Omega$
$V_{RX(diff)(p-p)}$	peak-to-peak differential receiver voltage		75	-	1200	mV
$V_{RX_DC_CM}$	RX DC common mode voltage		-	1.8	-	V
$V_{RX_CM_AC_P}$	RX AC common-mode voltage	peak	-	-	150	mV
$V_{th(i)}$	input threshold voltage	differential peak-to-peak value	75	-	300	mV

11.3 Transmitter AC/DC characteristics

Table 14. Transmitter AC/DC characteristics

Symbol	Parameter	Conditions	Min	Typ	Max	Unit
Z_{TX_DC}	transmitter DC common-mode impedance		18	-	30	Ω
$Z_{TX_DIFF_DC}$	DC differential impedance		72	-	120	Ω
$V_{TX_DIFFp-p}$	differential peak-to-peak output voltage	typical level decided by configuration pin/I ² C register setting	400	-	1200	mV
$V_{TX_DC_CM}$	transmitter DC common-mode voltage		1.2	-	1.65	V
$V_{TX_CM_ACpp_ACTIV}$	TX AC common-mode peak-to-peak output voltage (active state)	device input fed with differential signal	-	-	100	mV
$V_{TX_IDL_DIFF_ACpp}$	electrical idle differential peak-to-peak output voltage	when link is in electrical idle	-	-	10	mV
$V_{TX_RCV_DETECT}$	voltage change allowed during receiver detection	positive voltage swing to sense the receiver termination detection	-	-	600	mV
$t_{r(tx)}$	transmit rise time	measured using 20 % and 80 % levels; see Figure 9	30	50	-	ps
$t_{f(tx)}$	transmit fall time	measured using 80 % and 20 % levels; see Figure 9	30	50	-	ps
$t_{(r-f)tx}$	difference between transmit rise and fall time	measured using 20 % and 80 % levels	-	-	20	ps

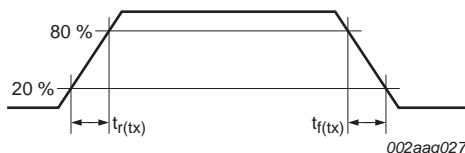


Fig 9. Output rise and fall times

11.4 Jitter performance

Table 15 provides jitter performance of PTN36241B under a specific set of conditions that is illustrated by Figure 6.

Table 15. Jitter performance characteristics

Unit Interval (UI) = 200 ps.

Symbol	Parameter	Conditions	Min	Typ	Max	Unit	
$t_{jit(o)(p-p)}$	peak-to-peak output jitter time	total jitter at test point C	[1]	-	0.19	-	UI
$t_{jit(dtrm)(p-p)}$	peak-to-peak deterministic jitter time		[1]	-	0.11	-	UI
$t_{jit(mdm)(p-p)}$	peak-to-peak random jitter time		[1][2]	-	0.08	-	UI

[1] Measured at test point C with K28.5 pattern, $V_{ID} = 1000$ mV (peak-to-peak), 5 Gbit/s; -3.5 dB de-emphasis from source.

[2] Random jitter calculated as 14.069 times the RMS random jitter for 10^{-12} bit error rate.

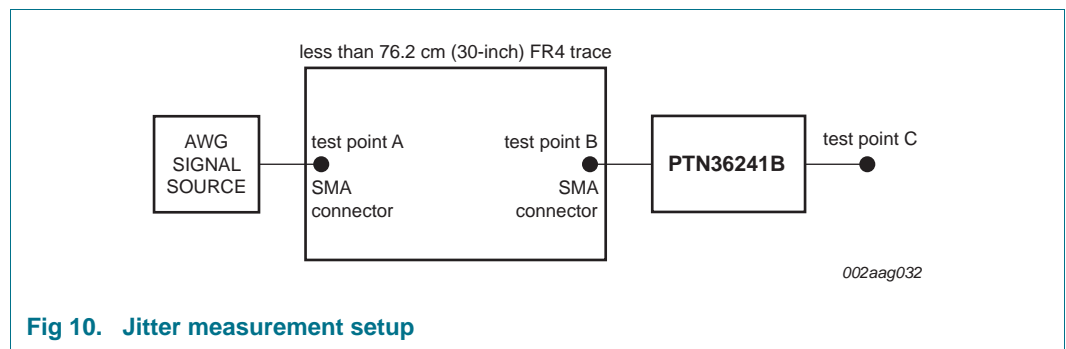


Fig 10. Jitter measurement setup

11.5 Control inputs

Table 16. CMOS control input characteristics (CEN and RES pins)

Symbol	Parameter	Conditions	Min	Typ	Max	Unit
V_{IH}	HIGH-level input voltage		$0.65 \times V_{DD(3V3)}$	-	-	V
V_{IL}	LOW-level input voltage		-	-	$0.35 \times V_{DD(3V3)}$	V
I_{LI}	input leakage current	measured with input at $V_{IH(max)}$ and $V_{IL(min)}$	-	-	25	μA

12. Package outline

HVQFN24: plastic thermal enhanced very thin quad flat package; no leads; 24 terminals; body 4 x 4 x 0.85 mm

SOT616-3

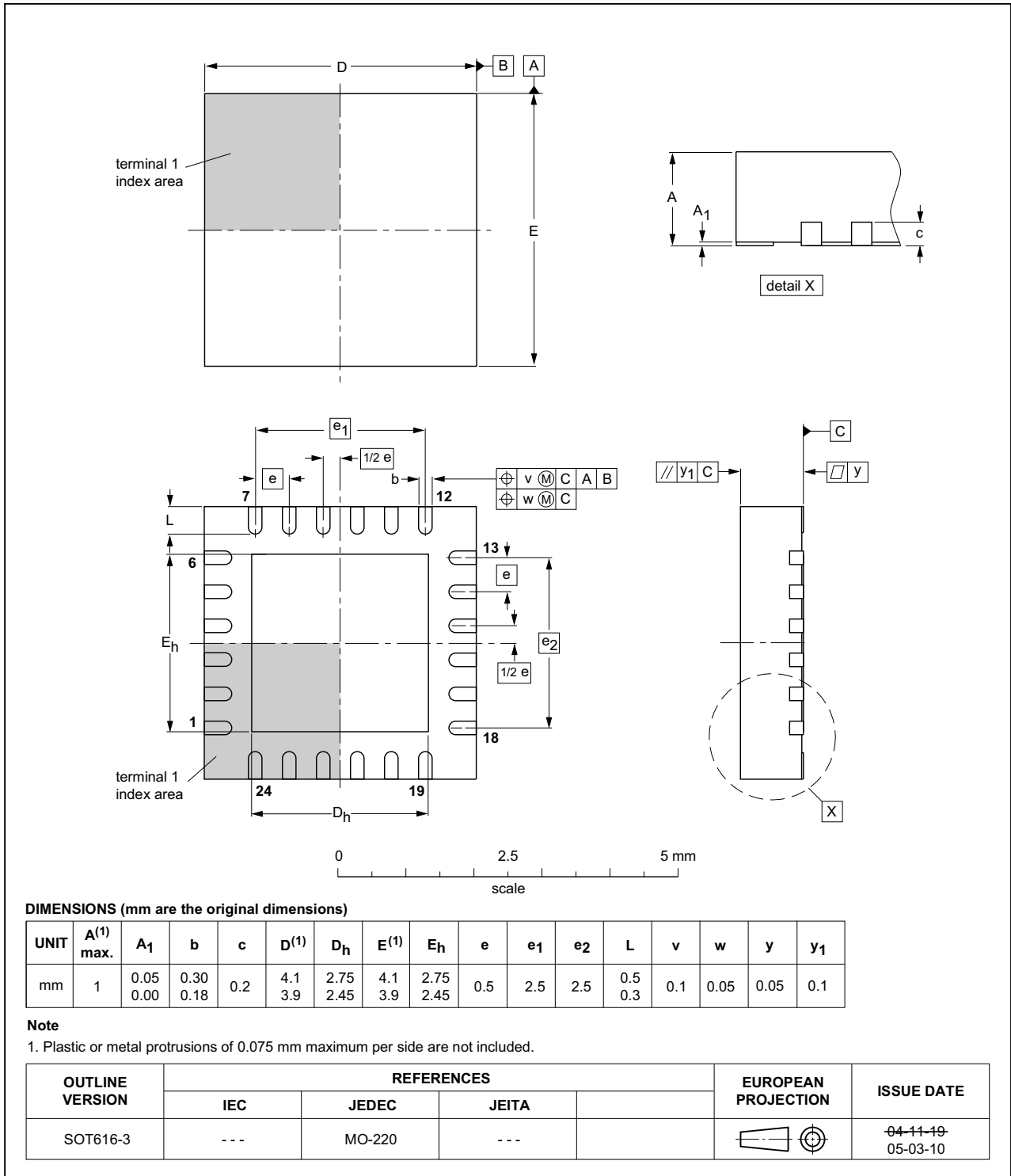


Fig 11. Package outline SOT616-3 (HVQFN24)

13. Packing information

Packing information for SOT616-3 (HVQFN24).

13.1 Packing method

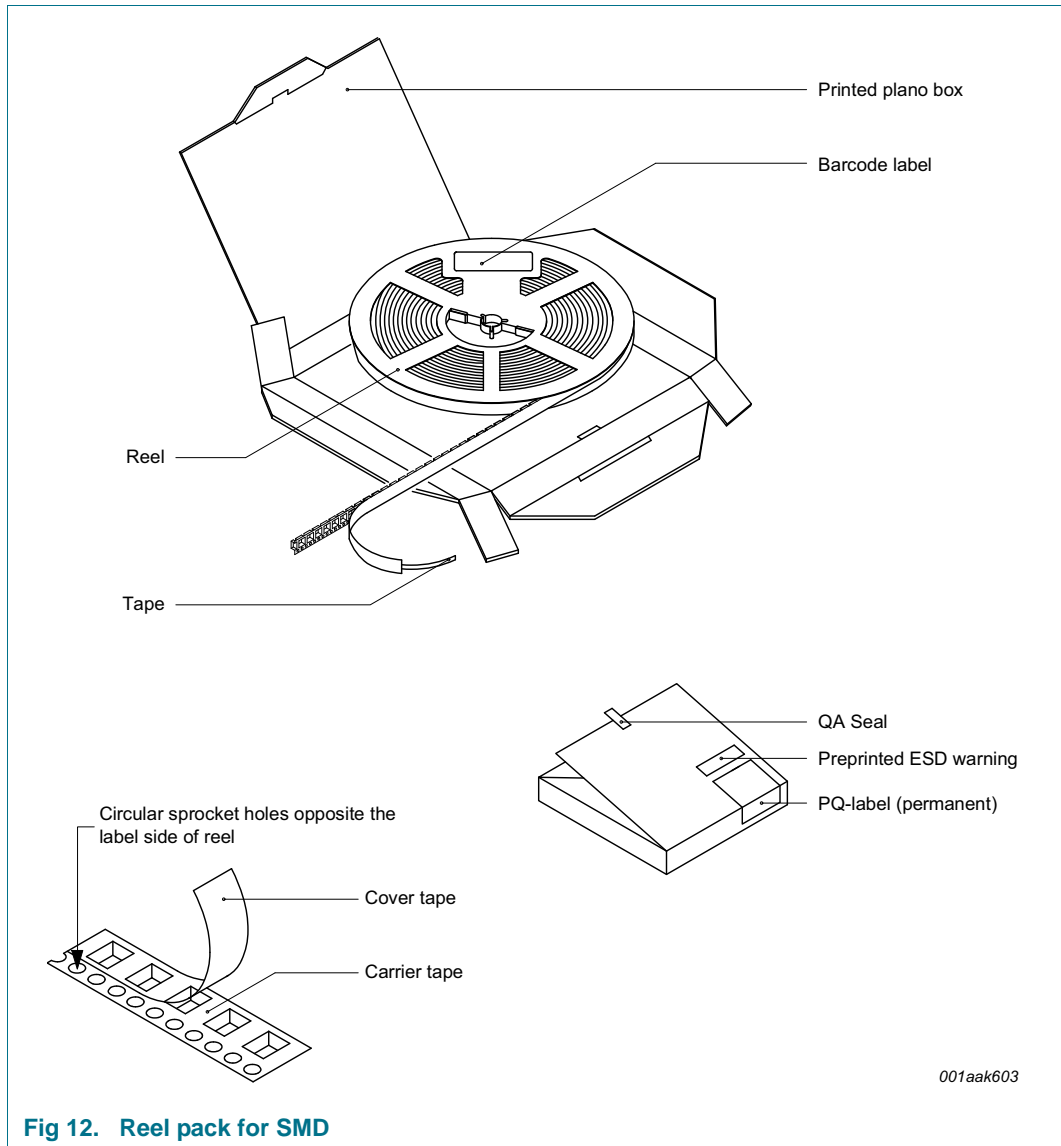
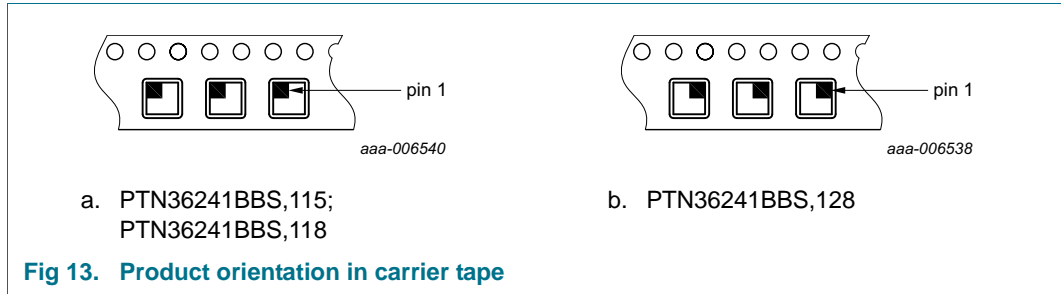


Fig 12. Reel pack for SMD

Table 17. Dimensions and quantities

Orderable part number	Reel dimensions d x w (mm)	SPQ/PQ (pcs)	Reels per box	Outer box dimensions l x w x h (mm)
PTN36241BBS,115	180 x 12	1500	1	191 x 188 x 26
PTN36241BBS,118	330 x 12	6000	1	341 x 338 x 26
PTN36241BBS,128	330 x 12	6000	1	341 x 338 x 26

13.2 Product orientation



13.3 Carrier tape dimensions

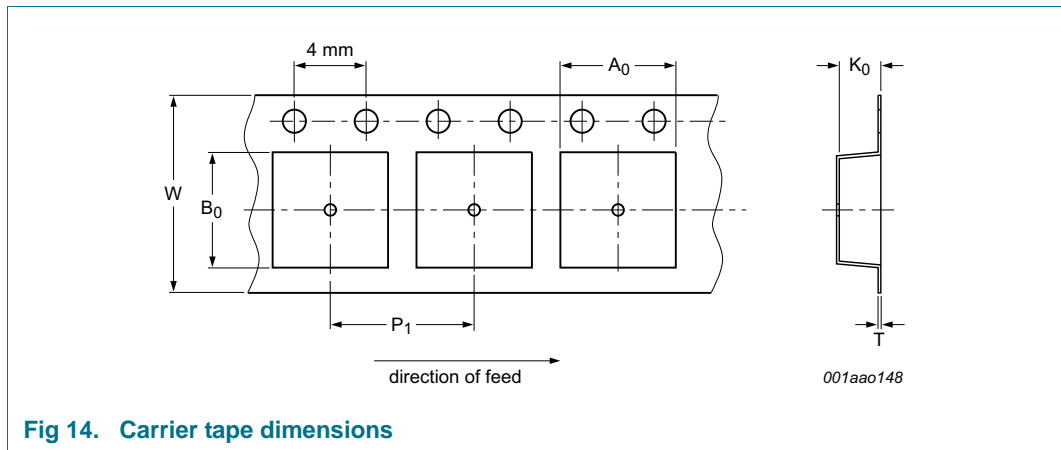


Table 18. Carrier tape dimensions

In accordance with IEC 60286-3.

A ₀ (mm)	B ₀ (mm)	K ₀ (mm)	T (mm)	P ₁ (mm)	W (mm)
4.3	4.3	1.1	-	8	12

13.4 Reel dimensions

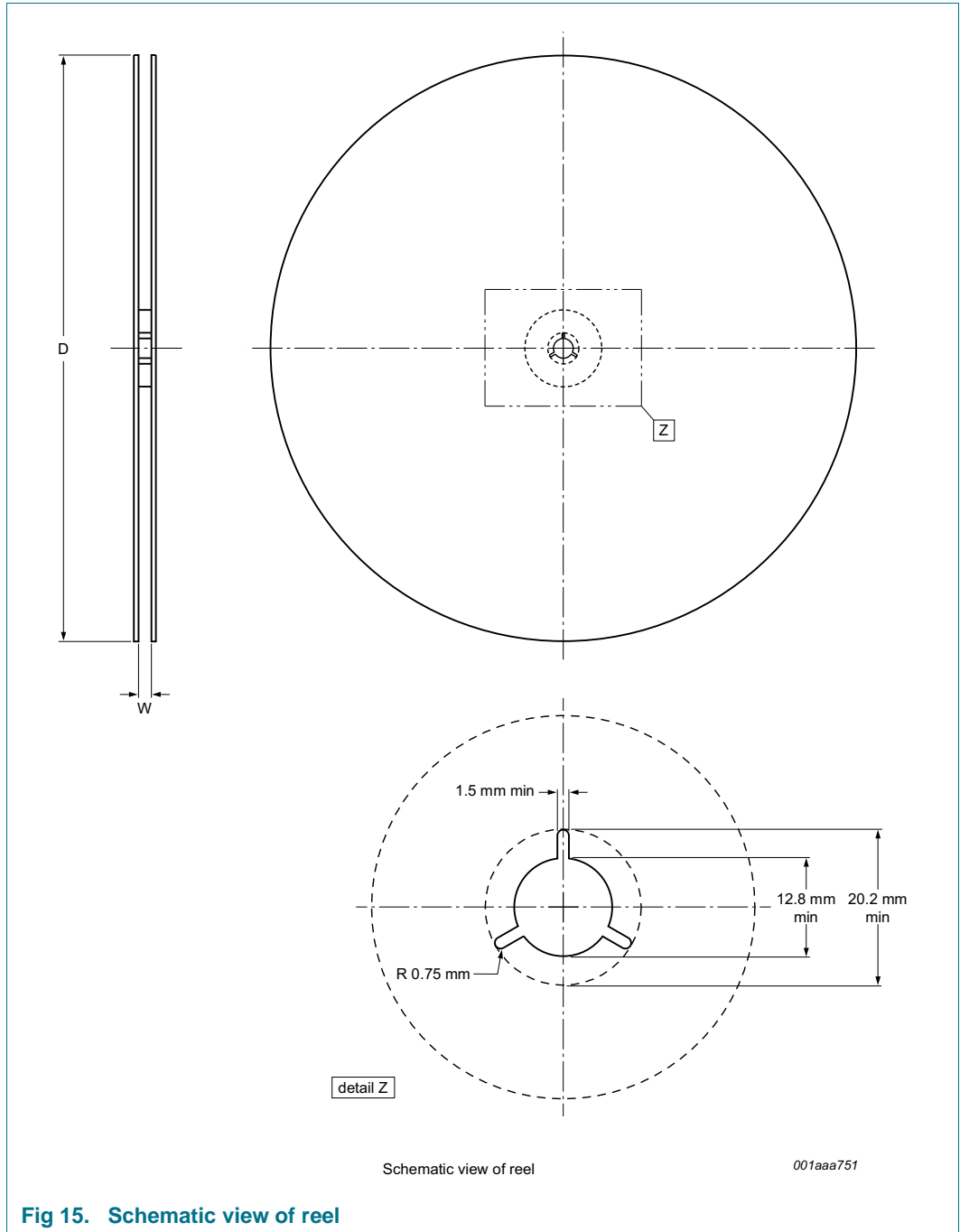


Fig 15. Schematic view of reel

Table 19. Reel dimensions
In accordance with IEC 60286-3.

Orderable part number	D (mm)	W (mm)
PTN36241BBS,115	180	12
PTN36241BBS,118	330	12
PTN36241BBS,128	330	12

13.5 Barcode label

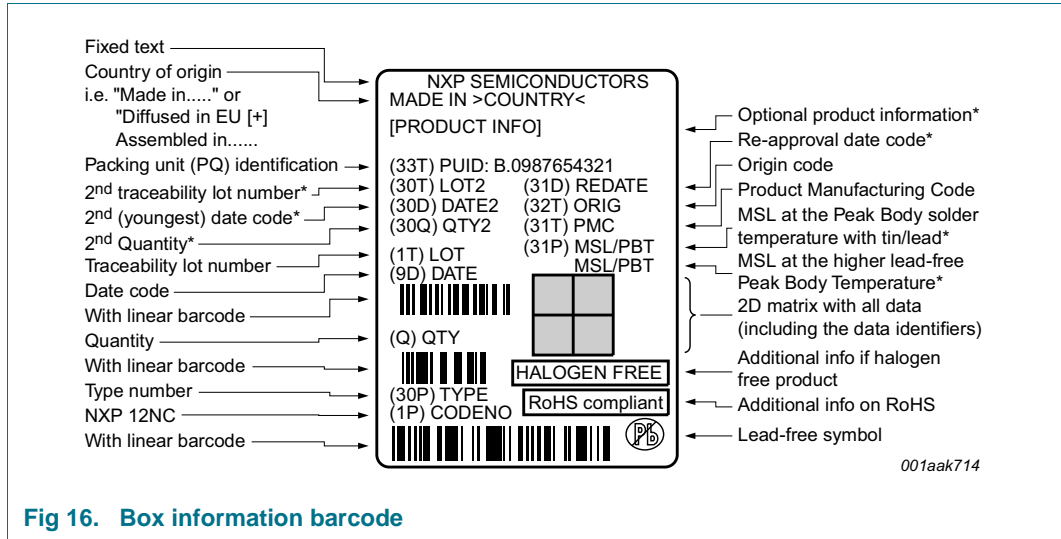


Fig 16. Box information barcode

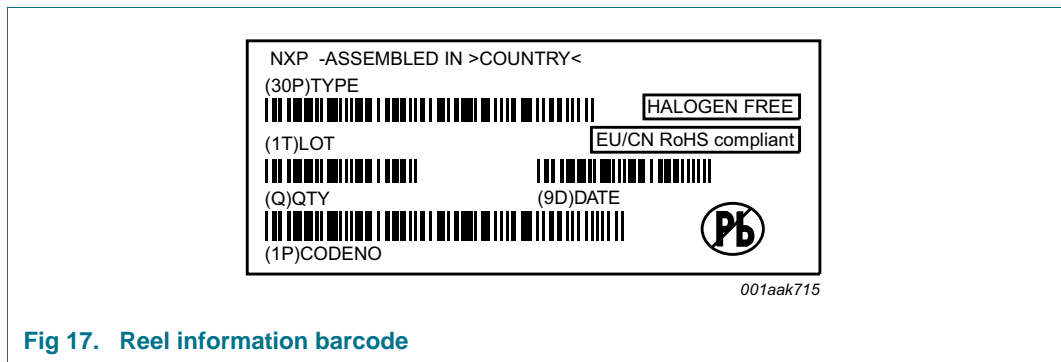


Fig 17. Reel information barcode

Table 20. Barcode dimensions

Box barcode label l x w (mm)	Reel barcode label l x w (mm)
100 x 75	35 x 75

14. Soldering of SMD packages

This text provides a very brief insight into a complex technology. A more in-depth account of soldering ICs can be found in Application Note AN10365 “Surface mount reflow soldering description”.

14.1 Introduction to soldering

Soldering is one of the most common methods through which packages are attached to Printed Circuit Boards (PCBs), to form electrical circuits. The soldered joint provides both the mechanical and the electrical connection. There is no single soldering method that is ideal for all IC packages. Wave soldering is often preferred when through-hole and

Surface Mount Devices (SMDs) are mixed on one printed wiring board; however, it is not suitable for fine pitch SMDs. Reflow soldering is ideal for the small pitches and high densities that come with increased miniaturization.

14.2 Wave and reflow soldering

Wave soldering is a joining technology in which the joints are made by solder coming from a standing wave of liquid solder. The wave soldering process is suitable for the following:

- Through-hole components
- Leaded or leadless SMDs, which are glued to the surface of the printed circuit board

Not all SMDs can be wave soldered. Packages with solder balls, and some leadless packages which have solder lands underneath the body, cannot be wave soldered. Also, leaded SMDs with leads having a pitch smaller than ~0.6 mm cannot be wave soldered, due to an increased probability of bridging.

The reflow soldering process involves applying solder paste to a board, followed by component placement and exposure to a temperature profile. Leaded packages, packages with solder balls, and leadless packages are all reflow solderable.

Key characteristics in both wave and reflow soldering are:

- Board specifications, including the board finish, solder masks and vias
- Package footprints, including solder thieves and orientation
- The moisture sensitivity level of the packages
- Package placement
- Inspection and repair
- Lead-free soldering versus SnPb soldering

14.3 Wave soldering

Key characteristics in wave soldering are:

- Process issues, such as application of adhesive and flux, clinching of leads, board transport, the solder wave parameters, and the time during which components are exposed to the wave
- Solder bath specifications, including temperature and impurities

14.4 Reflow soldering

Key characteristics in reflow soldering are:

- Lead-free versus SnPb soldering; note that a lead-free reflow process usually leads to higher minimum peak temperatures (see [Figure 18](#)) than a SnPb process, thus reducing the process window
- Solder paste printing issues including smearing, release, and adjusting the process window for a mix of large and small components on one board
- Reflow temperature profile; this profile includes preheat, reflow (in which the board is heated to the peak temperature) and cooling down. It is imperative that the peak temperature is high enough for the solder to make reliable solder joints (a solder paste

characteristic). In addition, the peak temperature must be low enough that the packages and/or boards are not damaged. The peak temperature of the package depends on package thickness and volume and is classified in accordance with [Table 21](#) and [22](#)

Table 21. SnPb eutectic process (from J-STD-020D)

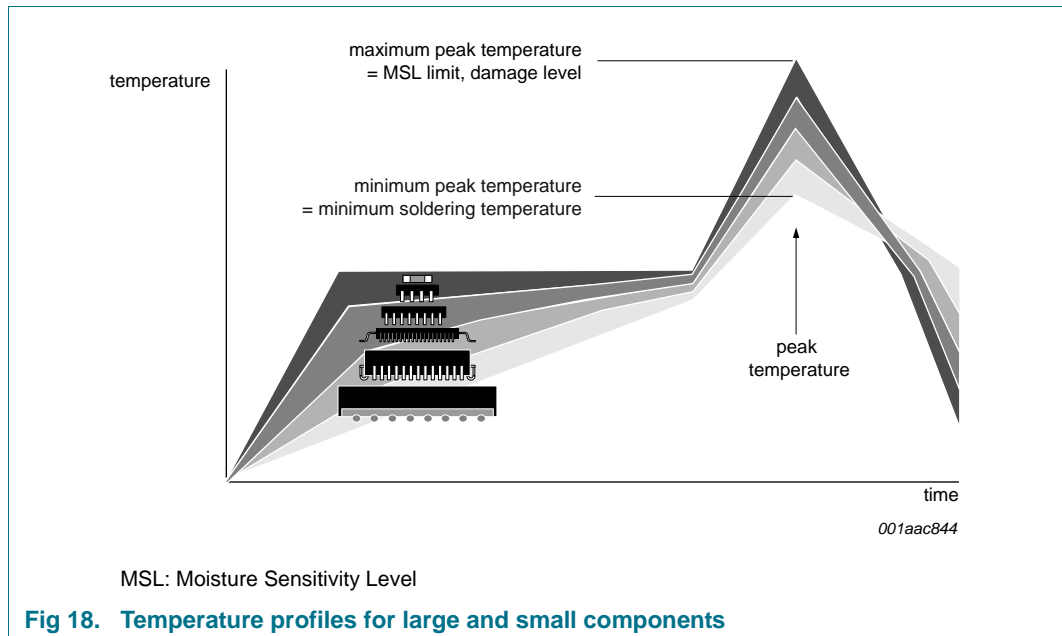
Package thickness (mm)	Package reflow temperature (°C)	
	Volume (mm ³)	
	< 350	≥ 350
< 2.5	235	220
≥ 2.5	220	220

Table 22. Lead-free process (from J-STD-020D)

Package thickness (mm)	Package reflow temperature (°C)		
	Volume (mm ³)		
	< 350	350 to 2000	> 2000
< 1.6	260	260	260
1.6 to 2.5	260	250	245
> 2.5	250	245	245

Moisture sensitivity precautions, as indicated on the packing, must be respected at all times.

Studies have shown that small packages reach higher temperatures during reflow soldering, see [Figure 18](#).



For further information on temperature profiles, refer to Application Note *AN10365* “Surface mount reflow soldering description”.

15. Soldering: PCB footprints

Footprint information for reflow soldering of HVQFN24 package

SOT616-3

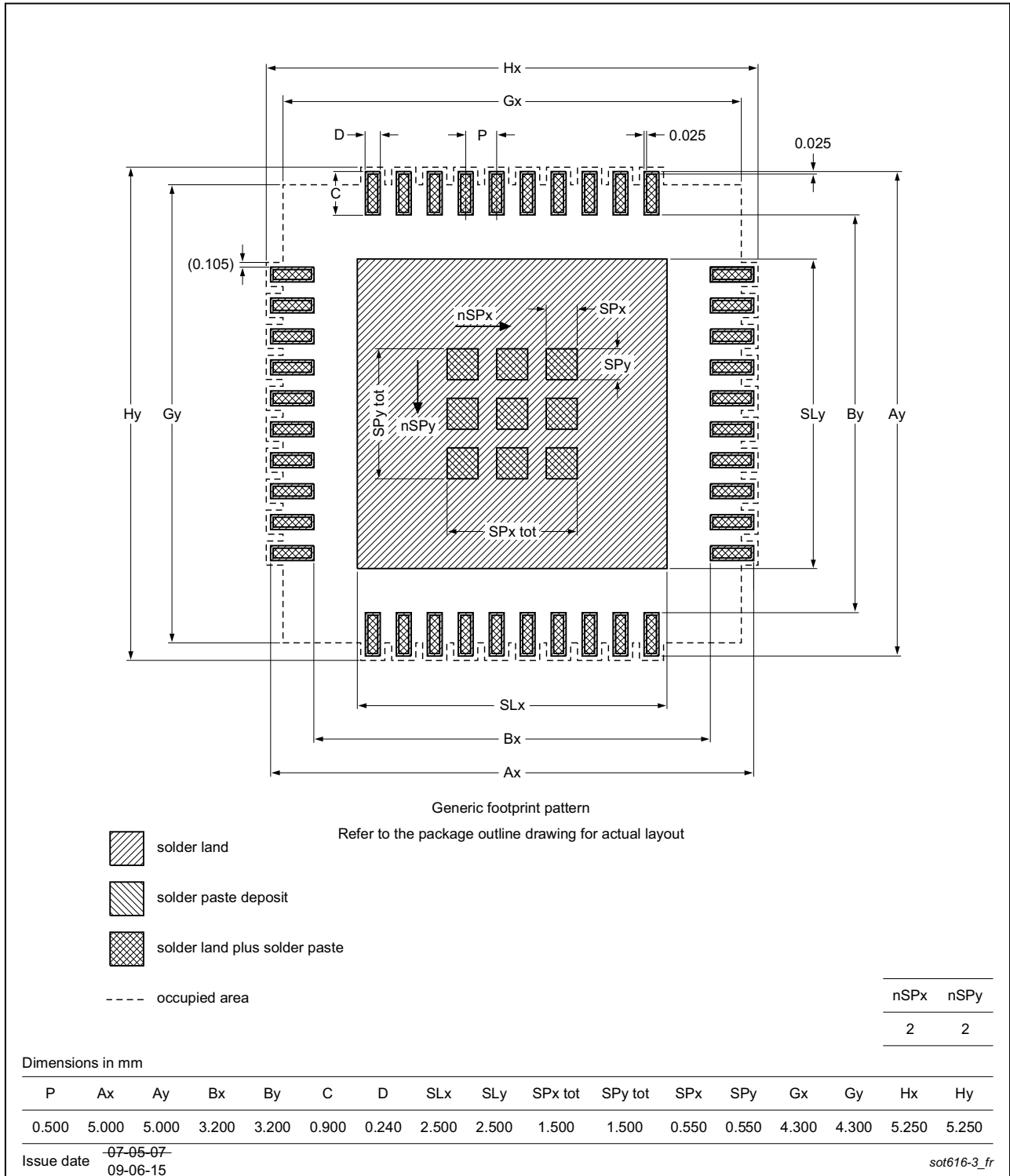


Fig 19. PCB footprint for SOT616-3 (HVQFN24); reflow soldering

16. Abbreviations

Table 23. Abbreviations

Acronym	Description
AIO	All In One
CDM	Charged-Device Model
CMOS	Complementary Metal-Oxide Semiconductor
ESD	ElectroStatic Discharge
HBM	Human Body Model
I ² C-bus	Inter-Integrated Circuit bus
I/O	Input/Output
IC	Integrated Circuit
ISI	InterSymbol Interference
LFPS	Low Frequency Periodic Signaling
PCB	Printed-Circuit Board
SI	Signal Integrity
USB	Universal Serial Bus

17. Revision history

Table 24. Revision history

Document ID	Release date	Data sheet status	Change notice	Supersedes
PTN36241B v.4	20140522	Product data sheet	-	PTN36241B v.3
Modifications:	<ul style="list-style-type: none"> • Table 1 “Ordering information”: added column “Topside marking” • Added Section 5.1 “Ordering options” • Added Section 13 “Packing information” • Added Section 15 “Soldering: PCB footprints” 			
PTN36241B v.3	20130212	Product data sheet	-	PTN36241B v.2
PTN36241B v.2	20120725	Product data sheet	-	PTN36241B v.1
PTN36241B v.1	20120404	Product data sheet	-	-

18. Legal information

18.1 Data sheet status

Document status ^{[1][2]}	Product status ^[3]	Definition
Objective [short] data sheet	Development	This document contains data from the objective specification for product development.
Preliminary [short] data sheet	Qualification	This document contains data from the preliminary specification.
Product [short] data sheet	Production	This document contains the product specification.

[1] Please consult the most recently issued document before initiating or completing a design.

[2] The term 'short data sheet' is explained in section "Definitions".

[3] The product status of device(s) described in this document may have changed since this document was published and may differ in case of multiple devices. The latest product status information is available on the Internet at URL <http://www.nxp.com>.

18.2 Definitions

Draft — The document is a draft version only. The content is still under internal review and subject to formal approval, which may result in modifications or additions. NXP Semiconductors does not give any representations or warranties as to the accuracy or completeness of information included herein and shall have no liability for the consequences of use of such information.

Short data sheet — A short data sheet is an extract from a full data sheet with the same product type number(s) and title. A short data sheet is intended for quick reference only and should not be relied upon to contain detailed and full information. For detailed and full information see the relevant full data sheet, which is available on request via the local NXP Semiconductors sales office. In case of any inconsistency or conflict with the short data sheet, the full data sheet shall prevail.

Product specification — The information and data provided in a Product data sheet shall define the specification of the product as agreed between NXP Semiconductors and its customer, unless NXP Semiconductors and customer have explicitly agreed otherwise in writing. In no event however, shall an agreement be valid in which the NXP Semiconductors product is deemed to offer functions and qualities beyond those described in the Product data sheet.

18.3 Disclaimers

Limited warranty and liability — Information in this document is believed to be accurate and reliable. However, NXP Semiconductors does not give any representations or warranties, expressed or implied, as to the accuracy or completeness of such information and shall have no liability for the consequences of use of such information. NXP Semiconductors takes no responsibility for the content in this document if provided by an information source outside of NXP Semiconductors.

In no event shall NXP Semiconductors be liable for any indirect, incidental, punitive, special or consequential damages (including - without limitation - lost profits, lost savings, business interruption, costs related to the removal or replacement of any products or rework charges) whether or not such damages are based on tort (including negligence), warranty, breach of contract or any other legal theory.

Notwithstanding any damages that customer might incur for any reason whatsoever, NXP Semiconductors' aggregate and cumulative liability towards customer for the products described herein shall be limited in accordance with the *Terms and conditions of commercial sale* of NXP Semiconductors.

Right to make changes — NXP Semiconductors reserves the right to make changes to information published in this document, including without limitation specifications and product descriptions, at any time and without notice. This document supersedes and replaces all information supplied prior to the publication hereof.

Suitability for use — NXP Semiconductors products are not designed, authorized or warranted to be suitable for use in life support, life-critical or safety-critical systems or equipment, nor in applications where failure or malfunction of an NXP Semiconductors product can reasonably be expected to result in personal injury, death or severe property or environmental damage. NXP Semiconductors and its suppliers accept no liability for inclusion and/or use of NXP Semiconductors products in such equipment or applications and therefore such inclusion and/or use is at the customer's own risk.

Applications — Applications that are described herein for any of these products are for illustrative purposes only. NXP Semiconductors makes no representation or warranty that such applications will be suitable for the specified use without further testing or modification.

Customers are responsible for the design and operation of their applications and products using NXP Semiconductors products, and NXP Semiconductors accepts no liability for any assistance with applications or customer product design. It is customer's sole responsibility to determine whether the NXP Semiconductors product is suitable and fit for the customer's applications and products planned, as well as for the planned application and use of customer's third party customer(s). Customers should provide appropriate design and operating safeguards to minimize the risks associated with their applications and products.

NXP Semiconductors does not accept any liability related to any default, damage, costs or problem which is based on any weakness or default in the customer's applications or products, or the application or use by customer's third party customer(s). Customer is responsible for doing all necessary testing for the customer's applications and products using NXP Semiconductors products in order to avoid a default of the applications and the products or of the application or use by customer's third party customer(s). NXP does not accept any liability in this respect.

Limiting values — Stress above one or more limiting values (as defined in the Absolute Maximum Ratings System of IEC 60134) will cause permanent damage to the device. Limiting values are stress ratings only and (proper) operation of the device at these or any other conditions above those given in the Recommended operating conditions section (if present) or the Characteristics sections of this document is not warranted. Constant or repeated exposure to limiting values will permanently and irreversibly affect the quality and reliability of the device.

Terms and conditions of commercial sale — NXP Semiconductors products are sold subject to the general terms and conditions of commercial sale, as published at <http://www.nxp.com/profile/terms>, unless otherwise agreed in a valid written individual agreement. In case an individual agreement is concluded only the terms and conditions of the respective agreement shall apply. NXP Semiconductors hereby expressly objects to applying the customer's general terms and conditions with regard to the purchase of NXP Semiconductors products by customer.

No offer to sell or license — Nothing in this document may be interpreted or construed as an offer to sell products that is open for acceptance or the grant, conveyance or implication of any license under any copyrights, patents or other industrial or intellectual property rights.

Export control — This document as well as the item(s) described herein may be subject to export control regulations. Export might require a prior authorization from competent authorities.

Non-automotive qualified products — Unless this data sheet expressly states that this specific NXP Semiconductors product is automotive qualified, the product is not suitable for automotive use. It is neither qualified nor tested in accordance with automotive testing or application requirements. NXP Semiconductors accepts no liability for inclusion and/or use of non-automotive qualified products in automotive equipment or applications.

In the event that customer uses the product for design-in and use in automotive applications to automotive specifications and standards, customer (a) shall use the product without NXP Semiconductors' warranty of the product for such automotive applications, use and specifications, and (b) whenever customer uses the product for automotive applications beyond

NXP Semiconductors' specifications such use shall be solely at customer's own risk, and (c) customer fully indemnifies NXP Semiconductors for any liability, damages or failed product claims resulting from customer design and use of the product for automotive applications beyond NXP Semiconductors' standard warranty and NXP Semiconductors' product specifications.

Translations — A non-English (translated) version of a document is for reference only. The English version shall prevail in case of any discrepancy between the translated and English versions.

18.4 Trademarks

Notice: All referenced brands, product names, service names and trademarks are the property of their respective owners.

19. Contact information

For more information, please visit: <http://www.nxp.com>

For sales office addresses, please send an email to: salesaddresses@nxp.com

20. Contents

1	General description	1	18	Legal information	29
2	Features and benefits	1	18.1	Data sheet status	29
2.1	High-speed channel processing	1	18.2	Definitions	29
2.2	Enhancements	2	18.3	Disclaimers	29
3	Applications	2	18.4	Trademarks	30
4	System context diagrams	3	19	Contact information	30
5	Ordering information	4	20	Contents	31
5.1	Ordering options	4			
6	Block diagram	4			
7	Pinning information	5			
7.1	Pinning	5			
7.2	Pin description	5			
8	Functional description	7			
8.1	Receive equalization	7			
8.2	Transmit de-emphasis and output swing	7			
8.3	Input signal threshold	8			
8.4	I ² C-bus programmability	9			
8.4.1	I ² C-bus read and write operations	11			
8.5	Device control — mode, enable, power-on initialization	13			
8.6	Device states and power management	14			
9	Limiting values	15			
10	Recommended operating conditions	15			
11	Characteristics	16			
11.1	Device characteristics	16			
11.2	Receiver AC/DC characteristics	17			
11.3	Transmitter AC/DC characteristics	18			
11.4	Jitter performance	19			
11.5	Control inputs	19			
12	Package outline	20			
13	Packing information	21			
13.1	Packing method	21			
13.2	Product orientation	22			
13.3	Carrier tape dimensions	22			
13.4	Reel dimensions	23			
13.5	Barcode label	24			
14	Soldering of SMD packages	24			
14.1	Introduction to soldering	24			
14.2	Wave and reflow soldering	25			
14.3	Wave soldering	25			
14.4	Reflow soldering	25			
15	Soldering: PCB footprints	27			
16	Abbreviations	28			
17	Revision history	28			

Please be aware that important notices concerning this document and the product(s) described herein, have been included in section 'Legal information'.

© NXP Semiconductors N.V. 2014.

All rights reserved.

For more information, please visit: <http://www.nxp.com>

For sales office addresses, please send an email to: salesaddresses@nxp.com

Date of release: 22 May 2014

Document identifier: PTN36241B

Mouser Electronics

Authorized Distributor

Click to View Pricing, Inventory, Delivery & Lifecycle Information:

[NXP:](#)

[PTN36241BBS,118](#) [PTN36241BBS,115](#) [PTN36241BBS,128](#)