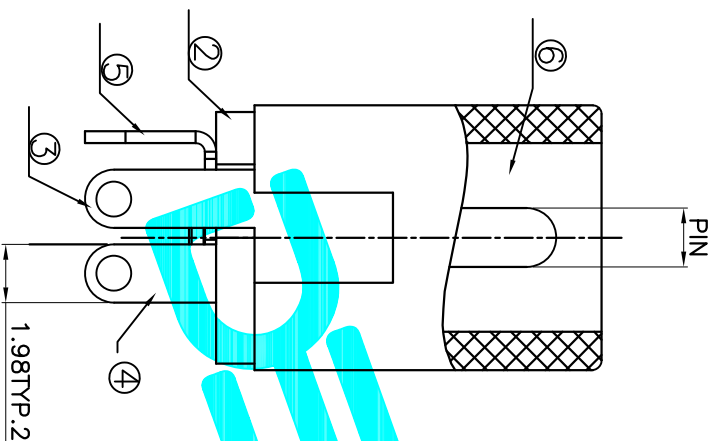
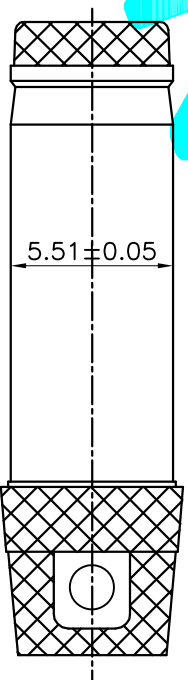


PIN	φ200	φ250
APPD		



Rating: 0.5A 30V DC
 Contact Resistance: 100 mΩ Max.
 Operating temperature: -20℃~70℃
 Operating force: 3~20N
 Operating Life: 5,000cycles

ITEM	PART NAME	QTY.	MATERIAL	FINISHING
⑥	PIN	1	BRASS	Ni-Plating
⑤	CURVE PIECE	1	BRASS	Ag-Plating
④	FLAT PIECE	1	BRASS	Ag-Plating
③	SPRING	1	SUS301	Ag-Plating
②	COVER	1	PBT	
①	HOUSING	1	PBT	

APPROVALS	DATE
DRAWN	G.M.Chen
CHECKED	
APPROVALS	

TITLE: DC JACK
 PART NO. DC-DD005A-XXX
 UNIT: mm
 SCALE: 1:1
 SHEET 1 OF 1

ECN NO.	REV.	DATE.	DESCRIPTION.	CHANGE.	CHECK.	APPRO.	TOLERANCES ARE	30°±0.1°	±0.30	ANGLE	DRAWING NO.	PROJ.
	A		NEW				10~30	±0.20				
							3~10	±0.15	±2°			
							~5	±0.10				